



## 2.4/4.9 - 5.825 GHz 2/3 dBi Non-Articulating Wi-Fi Rubber Duck Antenna with UV-Resistant Radome and N Plug Connector

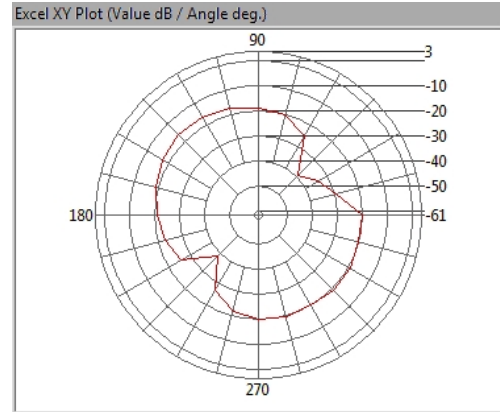
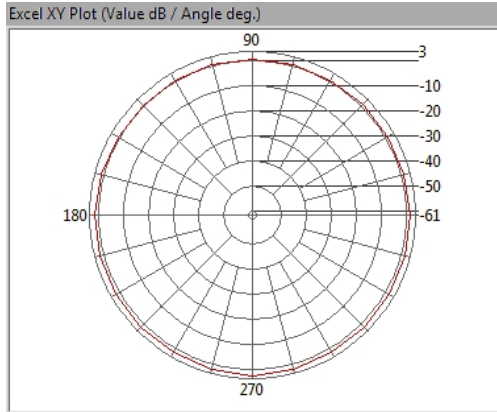
Ventev's TerraWave 2.4/4.9-5.825 GHz non-articulating Wi-Fi rubber duck antenna is designed to operate with many manufacturers' enterprise-class 802.11n/ac MIMO access points (APs). This antenna features a sleek UV-resistant radome design and an N-Plug connector. The antenna is IP 67 compliant, making it ideal for challenging outdoor deployments. Every Ventev TerraWave antenna is covered by the two-year TerraNet warranty program. For questions and to purchase product, contact a regional sales executive at 800-851-4965 or [sales@ventev.com](mailto:sales@ventev.com).



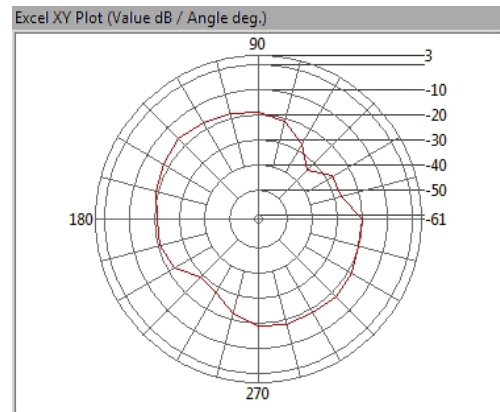
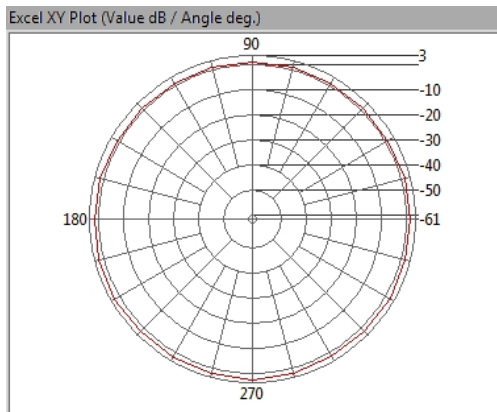
Specifications						
Model	M7020030MR10007					
Frequency Range	2.4-2.5GHz / 4.9-5.825 GHz					
Average Gain dBi	2.4 - 2.5 GHz			4.9—5.825 GHz		
	2.26			2.72		
Peak Gain dBi	2.412 GHz	2.437 GHz	2.462 GHz	5.25 GHz	5.5 GHz	5.825 GHz
	2.15	2.42	2.23	2.14	3.96	2.07
Vertical Beamwidth	70°			50°		
Horizontal Beamwidth	360°					
Power Handling	2 Watts					
Impedance	50 Ohms					
VSWR	2.0:1 MAX					
Polarization	Linear, Vertical					
Connector	N Plug					
Temperature	14° to +176° F					
Radome Color	Gray					
Radome Material	ASA					
Dimensions	.78" x 3.72"					
Weight	0.078 lbs					

# 2.4/4.9 - 5.825 GHz 2/3 dBi Non-Articulating Wi-Fi Rubber Duck Antenna with UV-Resistant Radome and N Plug Connector

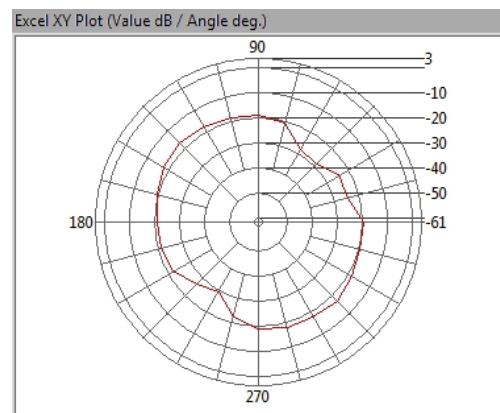
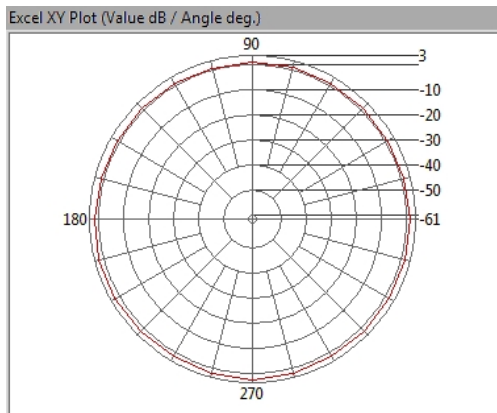
## Radiation Patterns



2.412GHz



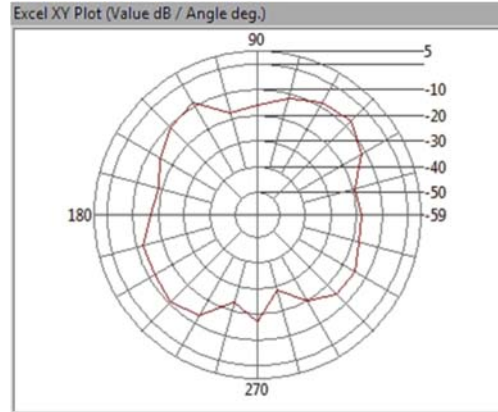
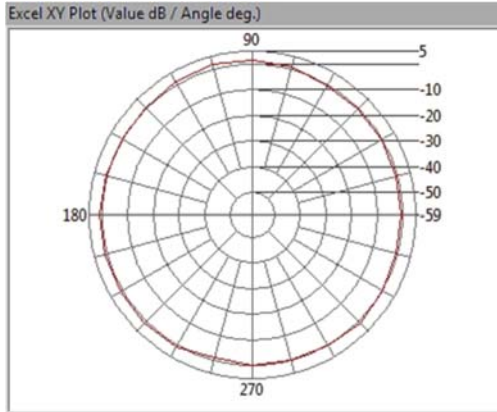
2.437GHz



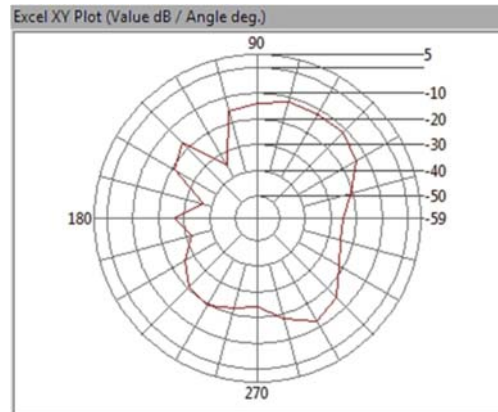
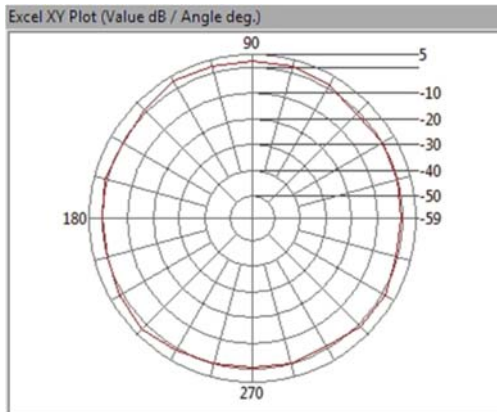
2.462GHz

# 2.4/4.9 - 5.825 GHz 2/3 dBi Non-Articulating Wi-Fi Rubber Duck Antenna with UV-Resistant Radome and N Plug Connector

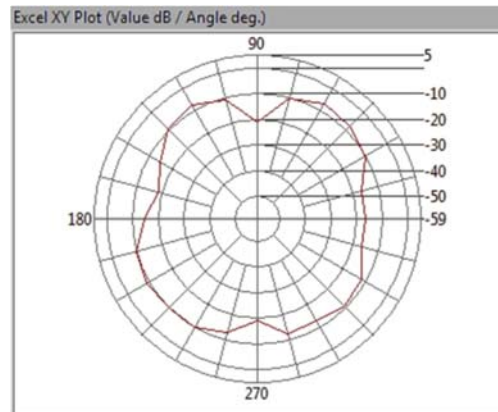
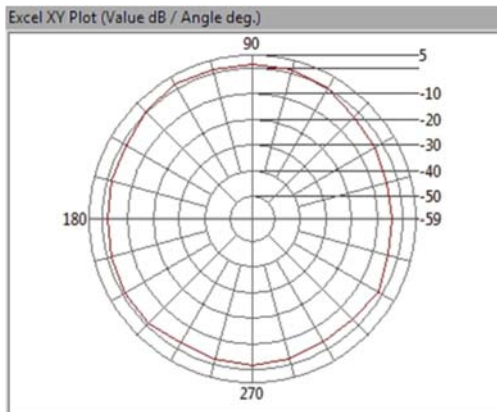
## Radiation Patterns



5.25GHz



5.5GHz



5.825GHz