

Ceiling Tile Enclosure for Cisco AP Installation and Removal Instructions

Mounting Instructions

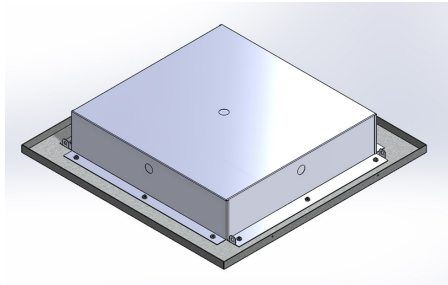


Figure 1

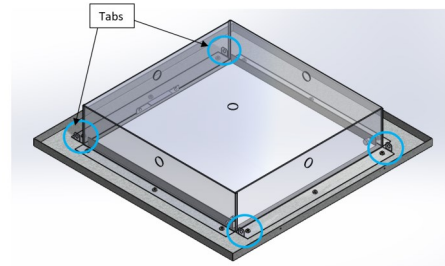


Figure 2

1. Prior to installation, determine the Knock-out needed for the RJ45 cable and remove. Refer to Figure 1 for Knock-out positions. A cord grip is supplied to protect and hold the R545 cable.

2. Prepare the ceiling tile grid for a 2' x 2' installation. If a 2' x 4' ceiling tile is being replaced then follow below, otherwise go to Step 3

- Cut current 2' x 4' tile in half
- Install T-bar provided to create a 2'x2' opening
- Install the cut standard tile on one side and the enclosure base on the other side.

Caution: Refer to local building codes to determine if additional support is required. Tabs are provided on the enclosure to secure to the building structure.

3. Insert R545 cable through the cord grip in the knock-out from Step 1 and prepare to use when the door is connected to the enclosure.

4. Refer to Figure 3. Insert the access point mounting feet into the Access Point Mounting plate slots.

5. Slide the mounting feet down the Mounting Slot until a “snap” is heard. The access point is now securely mounted to the Access Point Mounting

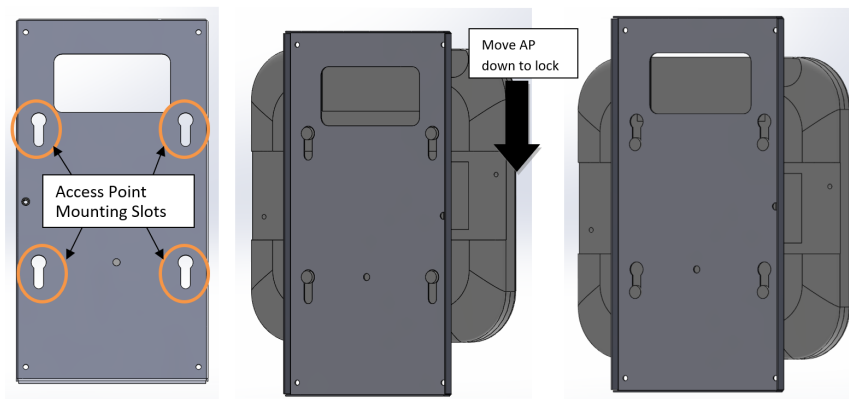


Figure 3

Refer to Figure 3. Insert the access point mounting feet into the Access Point Mounting plate slots.

Slide the mounting feet down the Mounting Slot until a “snap” is heard. The access point is now securely mounted to the Access Point Mounting.

Ceiling Tile Enclosure for Cisco AP Installation and Removal Instructions

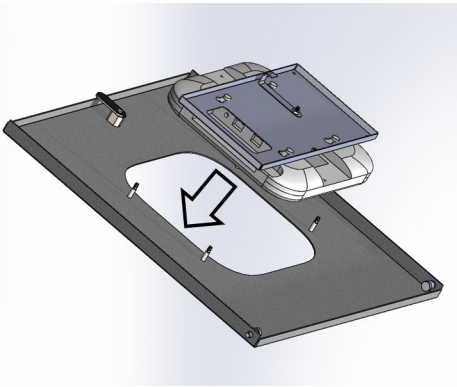


Figure 4

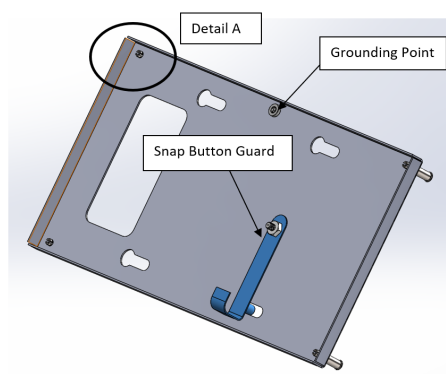


Figure 5

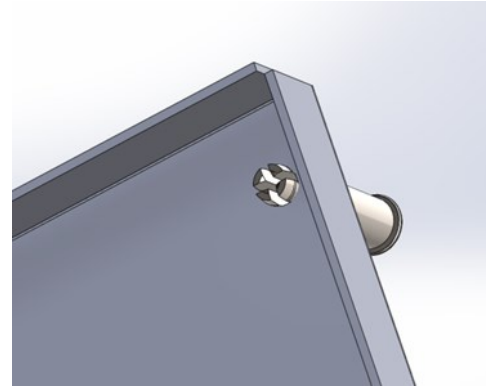


Figure 5 Detail

6. Align the Door Mounting Holes in the AP mounting plate to the configuration in Figure 4. Press the mount into the snap top heads that are attached to the door until it snaps and locks. See Figure 5.

7. Pull the pin head to retract and align it with the holes inside the ceiling mount in Figure 6 and release. A snap will be heard when the pin aligns with the hole.

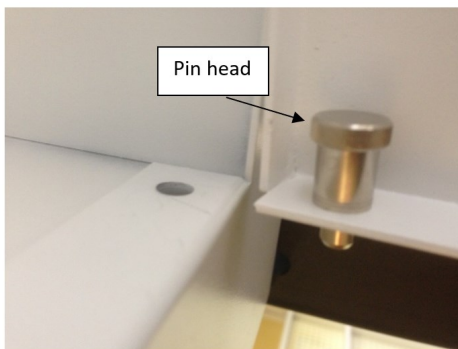


Figure 6

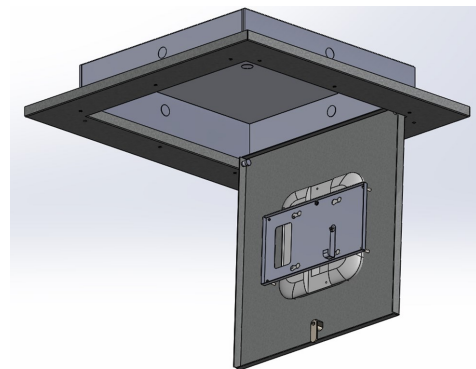


Figure 7

8. Snap second pin so door hangs as shown in Figure 7.

9. Connect RJ45 cable to the access point.

10. Close the door and turn the lock to lock the enclosure door.

Ceiling Tile Enclosure for Cisco AP Installation and Removal Instructions

Door Removal and Re-Installation

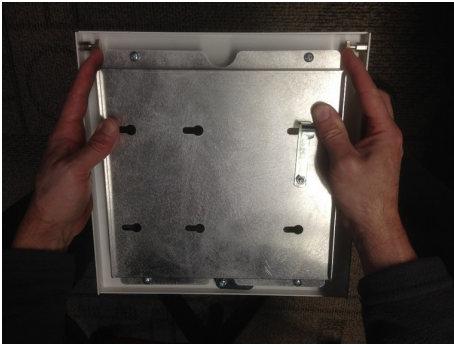


Figure 1



Figure 2

1. Unlock the door and allow the door to open as shown.
2. Pull the head of the two spring pins towards the center of the door to remove the door.
3. To install the door, pull the pin heads to retract the pin and align with the holes in base. Release the pin heads to engage the door.
4. Swing the door shut and lock the door.