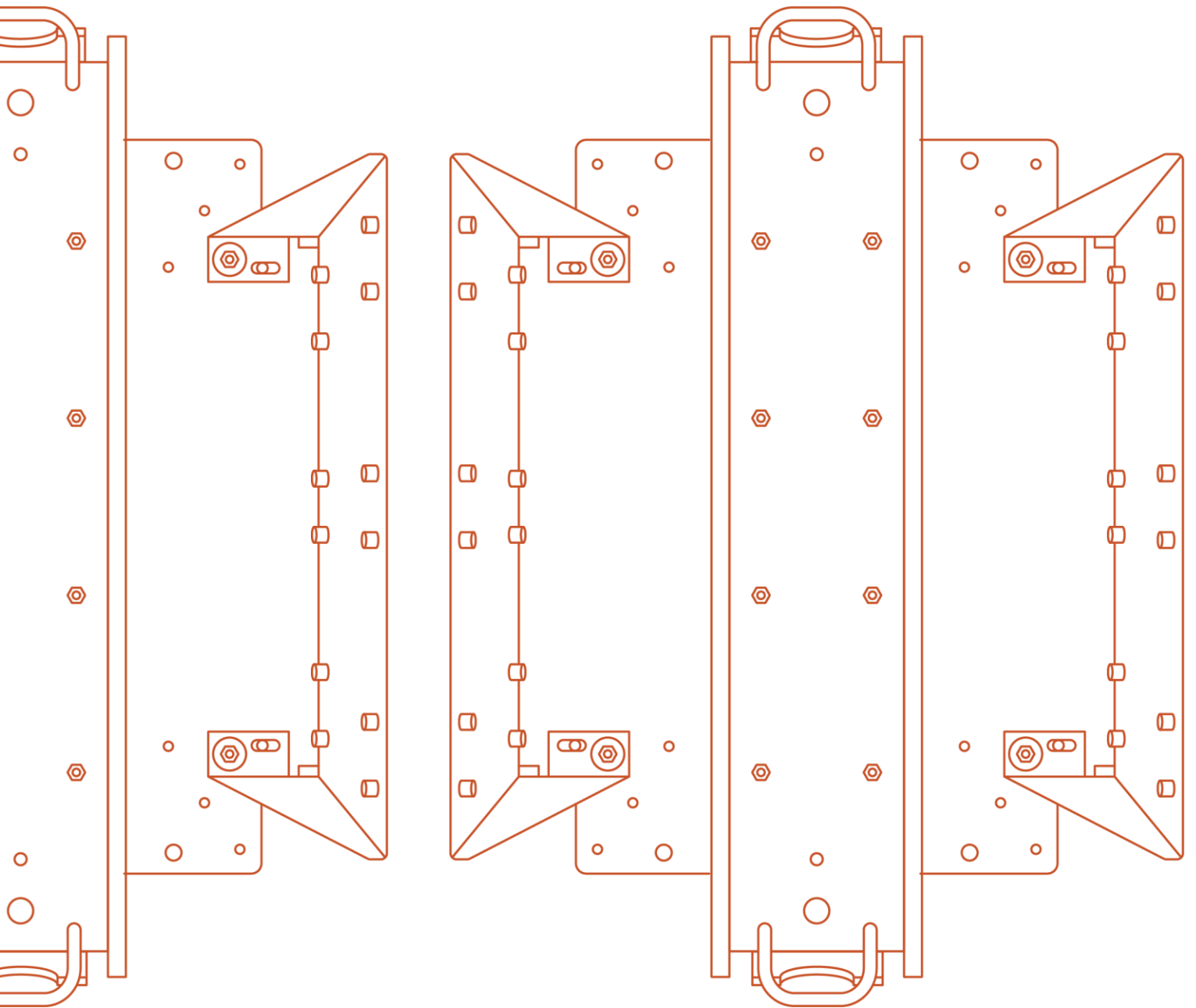


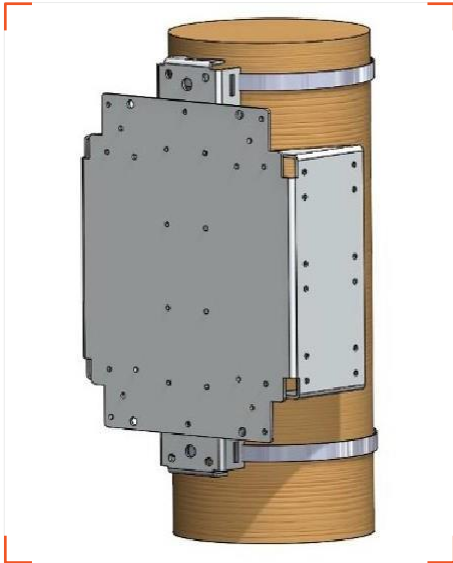
## Installation Instructions

# Co-Locating Mounting Platform Series



# Installation Instructions

## Co-Locating Mounting Platform Series



Pole Mount



Corner Mount



Wall Mount

The Co-Locating Mounting Platform comes in three different models

POLE MOUNT	4
CORNER MOUNT	7
WALL MOUNT	8
OPTIONAL EQUIPMENT	10

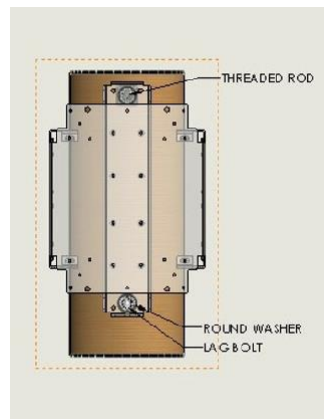
All three models have the same top enclosure mounting plate but have different base mounting options. Follow the instructions for the mounting option you purchased. The two brackets are connected by eight studs  $\frac{1}{4}$ -20 with nuts tightened to 6 ft-lbs.

# Model 1 Pole Mount

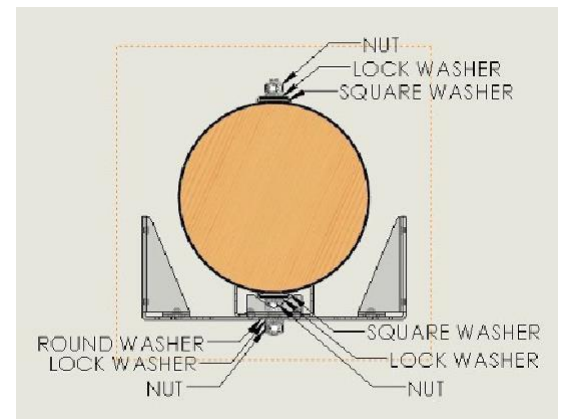
The pole mount design allows the bracket to be through bolted on wood poles and U-bolted to pipes and band clamps for metal or concrete poles. Select the application you have.

## Through Bolt for Wood Utility Poles

The kit includes a 5/8 threaded rod and hardware to mount the bracket to a wood utility pole. Drill a hole through the center of the pole and attach the rod to the pole. Hang the bracket on the rod and secure the bottom of the bracket with supplied lag bolt.



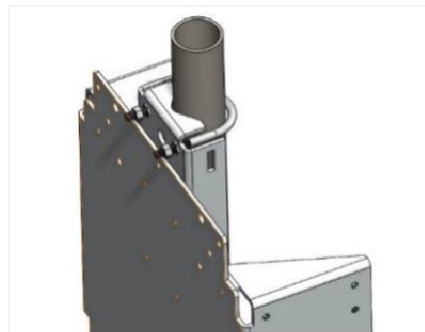
FRONT VIEW



TOP VIEW

## Pipe Installation

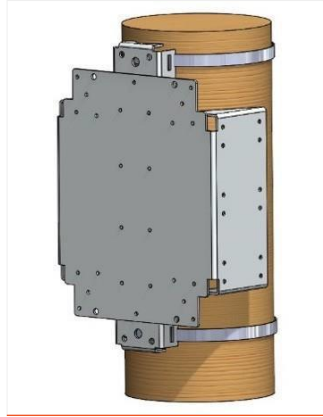
The bracket can be attached to a 2-inch pipe using the two U-bolts supplied.



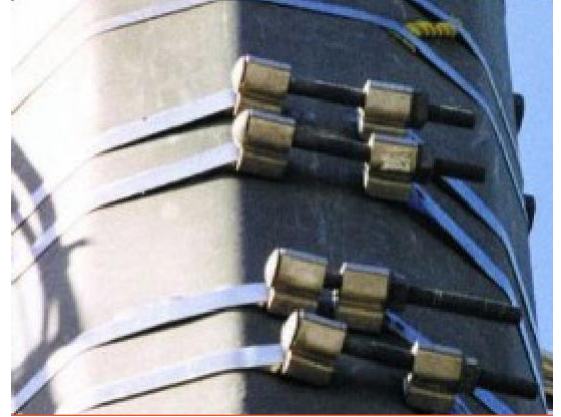
2-INCH PIPE INSTALL

## Banding for Poles

The bracket comes with banding and band clamps that attach the bracket to the pole. The bracket has slots in the side ribs to run the banding through. Follow the Band-It® instructions below.



FRONT VIEW

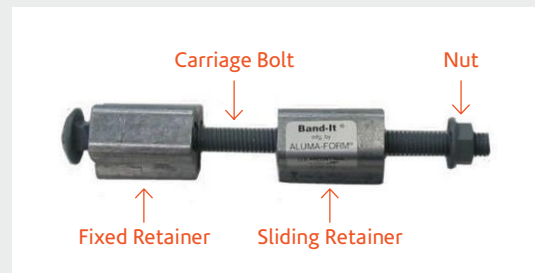


BACK VIEW

D50089/99 D50489/99 Bolted Band Retainer

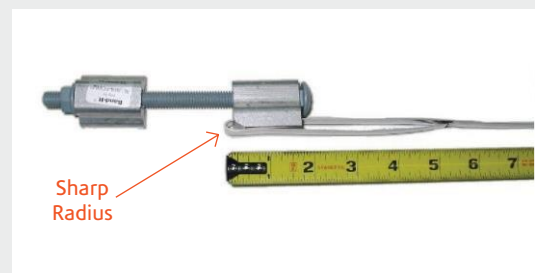
### BAND- IT® Installation Instructions

**STEP 1:** Mark the band at least 4-6 inches from the end and fold the band at the mark. Strike the band at the bend to create a sharp radius to allow fixed retainer to lock into place. Slide band into fixed retainer so that band will fold under retainer when installed (See Step 5).



STEP 1

**STEP 2:** Band must be adjusted to fit pole. Measure distance from edge of fixed retainer and mark the band. Additional length must be allowed for any equipment placed under band. Calculate additional length required and mark band. Cut the band at least 4-6 inches beyond this mark.



STEP 2

**STEP 3:** Slotted equipment must be threaded on the band at this stage. Remove nut and sliding retainer from carriage bolt. Thread equipment on band and thread the sliding retainer on band with the beveled end of the retainer facing the open end of band.



*STEP 3*

**STEP 4:** Bend the band at the second mark so that the 4-6 inches of excess will be inside the band after installation (See Step 5). Strike the bend in the band to create a sharp radius, allowing the retainer to lock in place.



*STEP 4*

**STEP 5:** Make a 90 degree bend at the base of each retainer. This will allow retainers and carriage bolt to properly align.



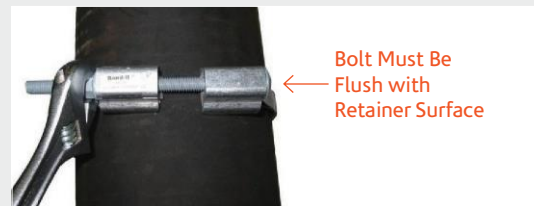
*STEP 5*

**STEP 6:** Place assembly around pole at mounting height. At this stage, any equipment that does not require threading should be hung on band.



*STEP 6*

**STEP 7:** Insert the carriage bolt into the sliding retainer. Make sure the carriage bolt locks into place on the fixed retainer. Install a washer (not provided) if required. Install the nut and tighten until equipment is secure and all slack has been removed from band.



*STEP 7*

**STEP 8:** Completed installation.



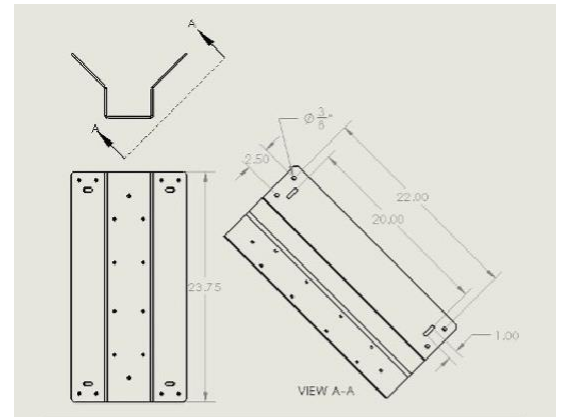
*STEP 8*

# Model 2 Corner Mount

The corner mount bracket is designed to be installed on the outside corner of a wall enabling coverage on two sides of a building. Mounting hardware is not supplied and is dependent on the type of structure and material the bracket is being mounted on. Follow local codes for proper mounting hardware. Recommended 3/8-inch fasteners with four per flange, per View A-A below, for a total of eight fasteners for complete install.



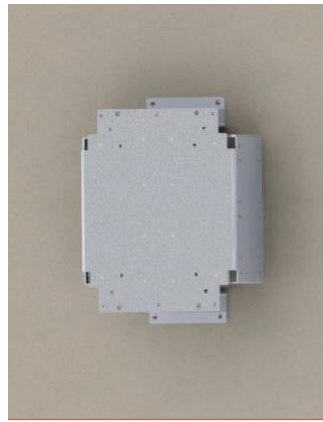
MOUNTED VIEW



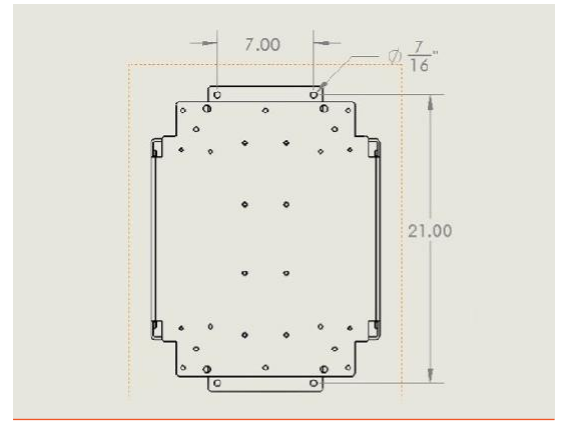
VIEW A-A

# Model 3 Wall Mount

The wall mount bracket allows mounting to any flat surface. Mounting hardware is not supplied and is dependent on the type of structure and material the bracket is being mounted on. Follow local codes for proper mounting hardware. Recommended 3/8-inch fasteners installed in the 7/16-inch flange holes per sketch below. Two fasteners at the top of the bracket and two fasteners at the bottom.



RENDERED VIEW



FRONT VIEW

## Enclosure Mounting Plate

The enclosure mounting plate is identical for the pole, corner, and wall mount design. The plate is designed to mount several enclosure sizes with 1/4-20 bolts and nuts included. Torque fasteners to 6 ft-lbs. Maximum enclosure plus equipment weight is 60 pounds.

### Enclosure Size Options

**18x16x12** Aluminum Enclosure

**18x16x10** Polycarbonate Enclosure *Must Use Additional Polycarbonate Flange Mount*

**14x12x6** Polycarbonate Enclosure

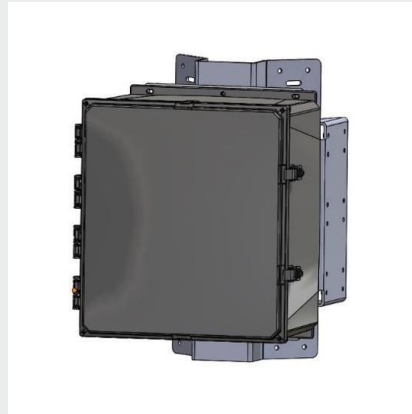
**12x10x6** Polycarbonate Enclosure

**12x10x4** Polycarbonate Enclosure

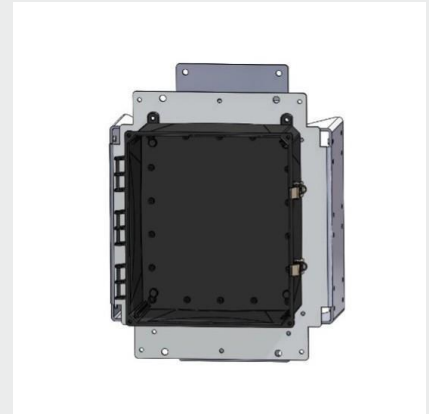
# Enclosure Size Options



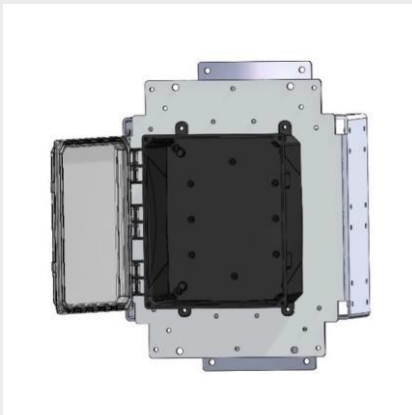
18X16X12 ALUMINUM



18X16X10 POLYCARBONATE



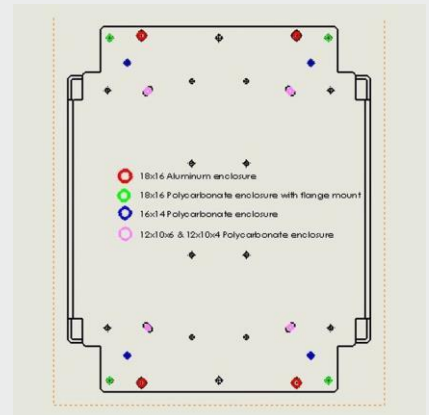
14X12X6 POLYCARBONATE



12X10X6 POLYCARBONATE



12X10X4 POLYCARBONATE



OVERVIEW



Sold Separately

# Optional Equipment Mounting Brackets

## Up to 6 Strong Arm Mounts

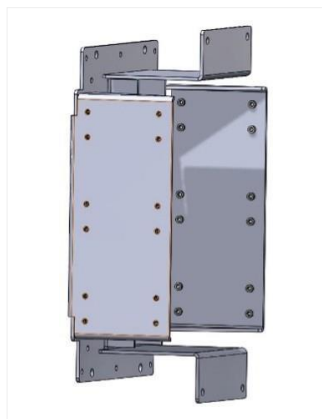
The bracket is designed to accept up to six Ventev strong arm mounts allowing multiple radios, antennas, and other equipment to be installed while only making one connection to the actual supporting pole or wall. All the equipment can be installed on the ground and wired to reduce installation time required in the field.



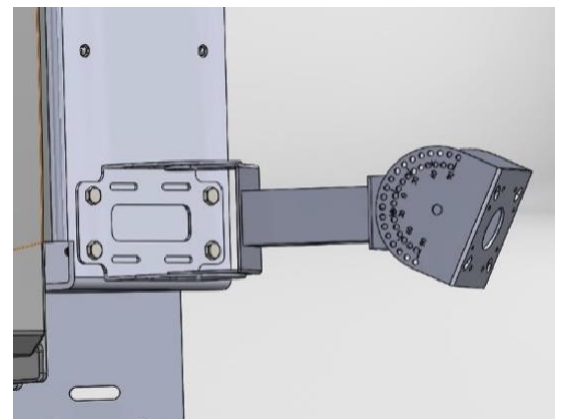
6 STRONG ARM MOUNTS

## Up to 3 Strong Arm Mounts per Bracket Flange

Each bracket flange allows up to three strong arm mounts to be attached using the supplied 1/4-20 bolts that thread into the affixed threaded inserts. Torque fasteners to 6 ft-lbs. Each strong-armmount can support 10 pounds.



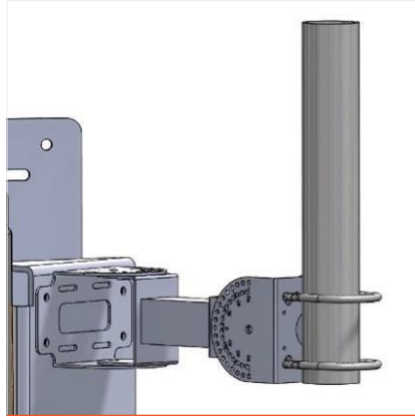
BRACKET FLANGE



STRONG ARM MOUNT

## 1.5x12-Inch Pipe with U-bolt Kit

An additional 1.5x12-inch pipe (1.90 inches outside diameter) with U-bolt kit can be attached to the strong-arm mount to allow OEM radio and antenna mounts to attach.



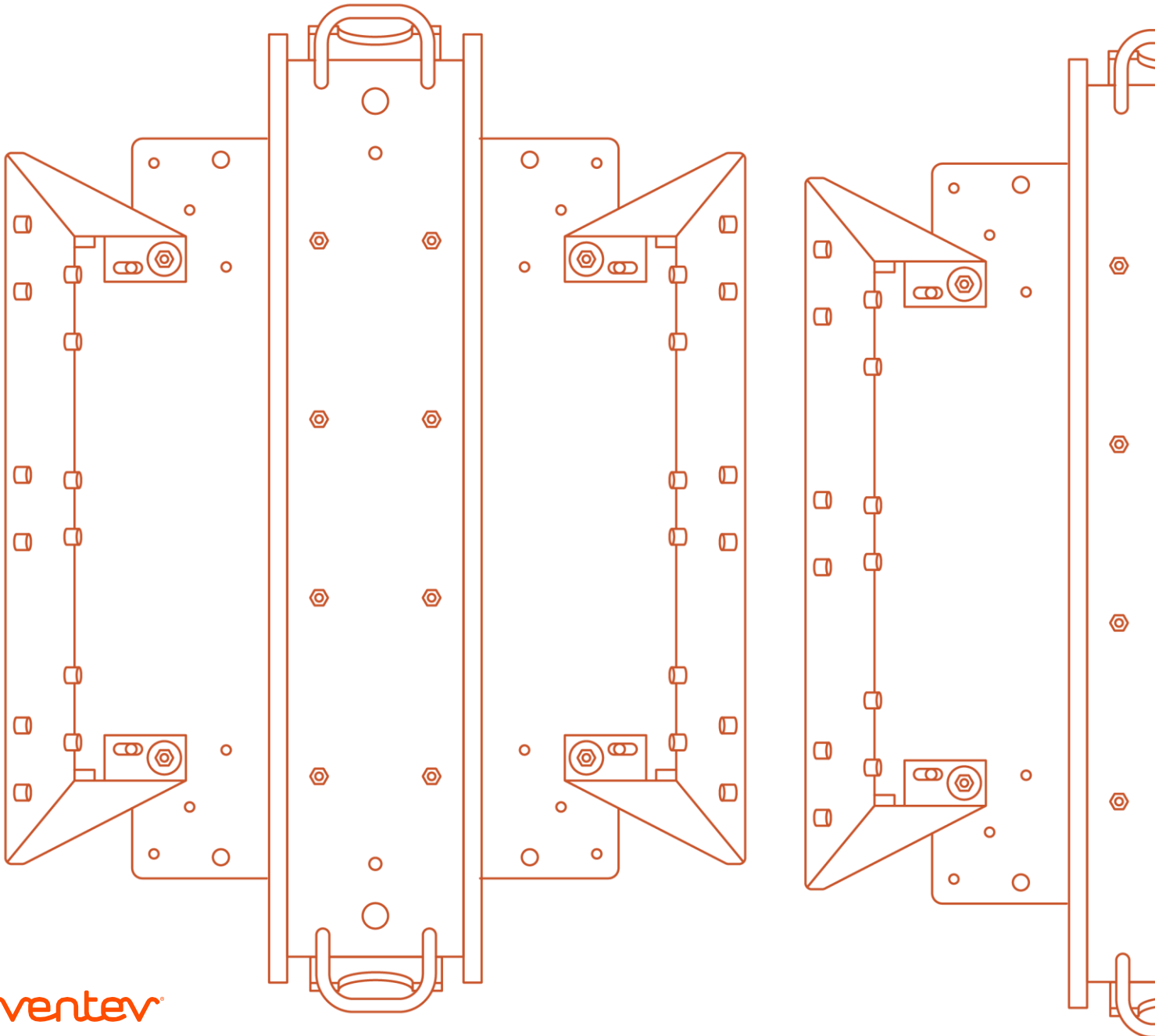
*1.5X12-INCH PIPE CONFIGURATION*

*Sku: 287956 Part Number: VN184091-R0*

*\*Sold Separately*

11126 McCormick Road, Hunt Valley, MD 21031 800-851-4965 sales@ventev.com

ventevinfra.com



ventev®