



Mounting Instructions

1. The right-angle bracket comes fully assembled as shown.

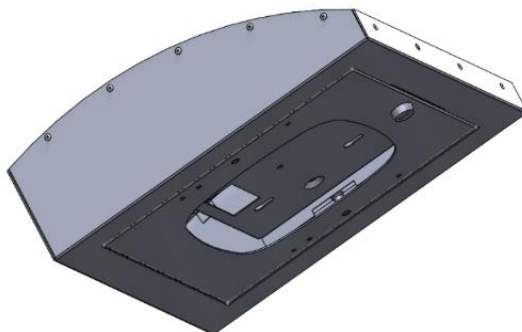


Figure 1

2. Remove the door from the base bracket by unlocking the door with the supplied keys.
3. The door will pivot open and can be removed by pulling on the heads on the spring hinge pins.

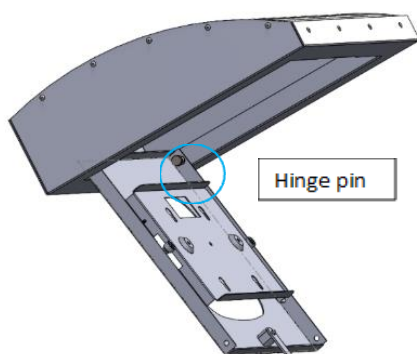


Figure 2

4. Mark the hole pattern on the wall as shown in Figure 3, recommended #12 or #14 screws into wall studs or use wall anchors if studs are not available. Screws not provided. The RJ45 cable needs to run through the center square hole. Secure mount base to wall.

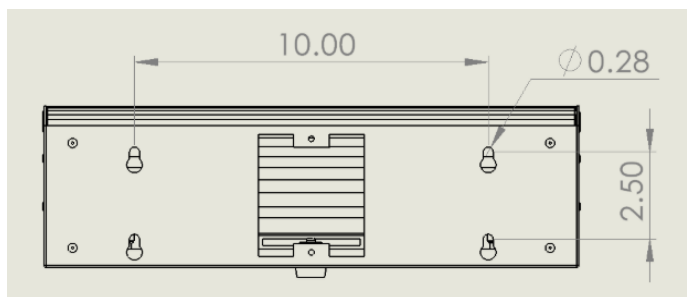


Figure 3



Cisco Door:



Figure 1

5. Refer to Figure 4. Place door onto back side of AP.
6. Slide the AP mounting feet into the keyhole slots of the AP mounting bracket. The rectangular hole cut out in the AP mounting bracket aligns with the port entry console of the AP.
7. Place the AP plus bracket onto the door using the long-threaded studs as guides and secure by tightening the two panel thumb screws.

Aruba Door:

8. Remove the black factory bracket from the back of the Aruba AP



Figure 5

9. Place door onto back side of AP per Figure 6.



Figure 6



- 10. Place AP bracket onto back side of AP and secure AP to bracket with provided thumb screws.
- 11. Place the AP plus bracket onto door using the long-threaded studs as guides and secure by two panel thumb screws.

tightening the

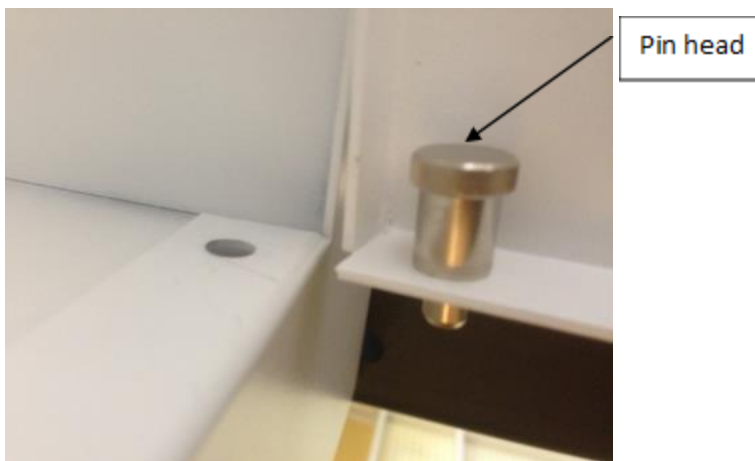


Figure 7

- 12. Pull the pin head to retract and align it with the holes inside the right-angle mount in Figure 7 and

release. A snap

will be heard when the pin aligns with the hole.

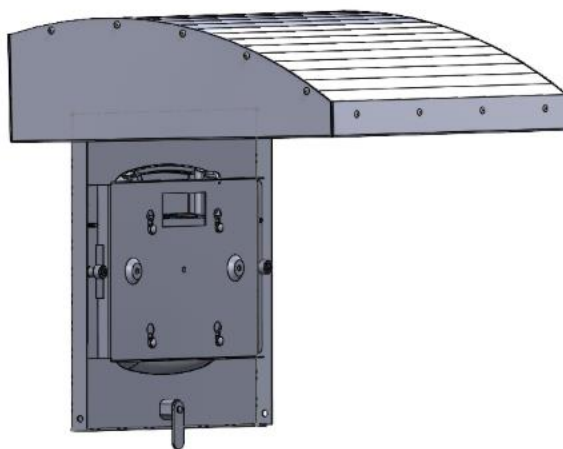


Figure 8





13. Snap second pin so door hangs as shown in Figure 8.
14. Connect RJ45 cable to the access point.
15. Close the door and turn the lock to lock the enclosure door as shown in Figure 9.

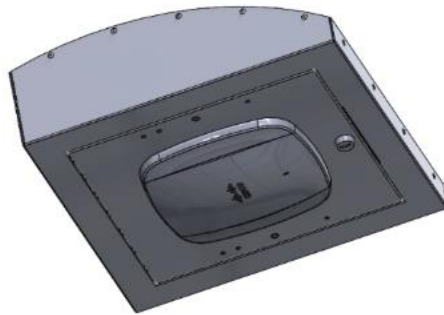


Figure 9

