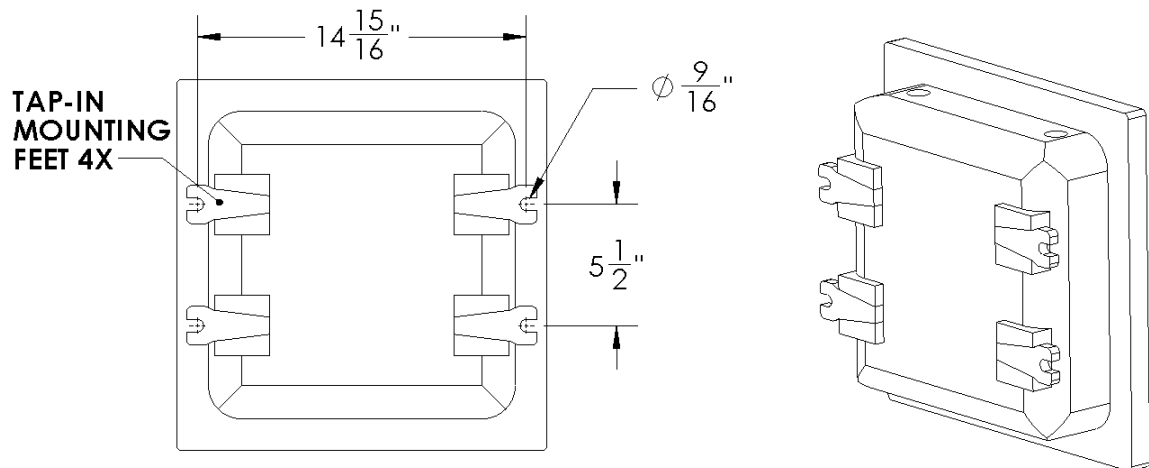


## ES1-IS-2450 Hazardous Environment Enclosure Installation Instructions

**Disclaimer:** Explosion-proof enclosures should be installed, inspected, and maintained by qualified and competent personnel.

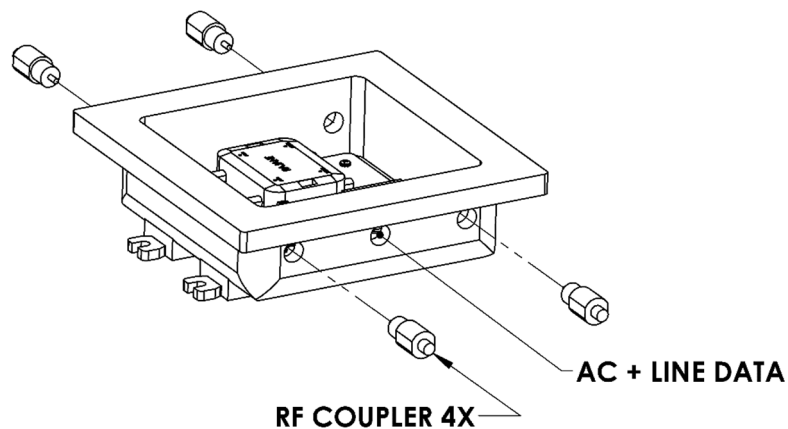
Review the Crouse Hinds ECP documentation for ECP ATEX/IEC Ex Explosionproof Enclosures (<http://www.cooperindustries.com/content/dam/public/crousehinds/resources/pdfs/instruction-sheets/if1665.pdf>) and Solexy RX series coupler documentation ([https://products.solexy.net/public/UserFiles/File/pdfdownload/RX\\_IOM\\_ATEX-IECEx.pdf](https://products.solexy.net/public/UserFiles/File/pdfdownload/RX_IOM_ATEX-IECEx.pdf)) before and during field installation for detailed installation and maintenance procedures. To avoid risk of electrical shock, electrical power must be off before and during installation and maintenance.

- 1) Install the tap-in mounting feet included with the enclosure. Mount the enclosure in the desired location. Refer to Figure 1 for mounting dimensions.



**Figure 1.**

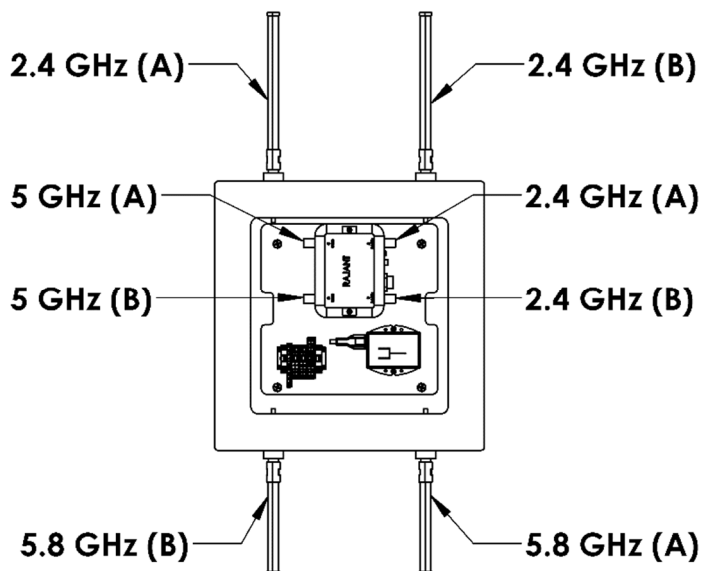
- 2) Install the QTY (4) Solexy RF Couplers to the enclosure, as well as a conduit coupler (not supplied) for AC Line and Data entry per coupler and enclosure manufacturer documentation.



**Figure 2.**

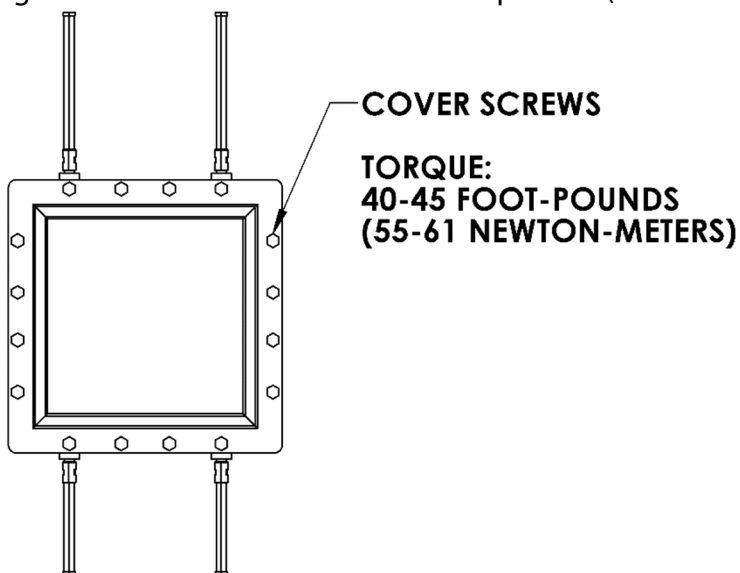
## ES1-IS-2450 Hazardous Environment Enclosure Installation Instructions

- 3) Connect the RF jumpers from the radio ports to their corresponding couplers. Install the antennas as shown in Figure 3. Plug in ethernet cord.



**Figure 3.**

- 4) Close the lid on the enclosure and tighten all cover screws to 40-45 foot-pounds (55-61 Newton-meters).



**Figure 4.**