

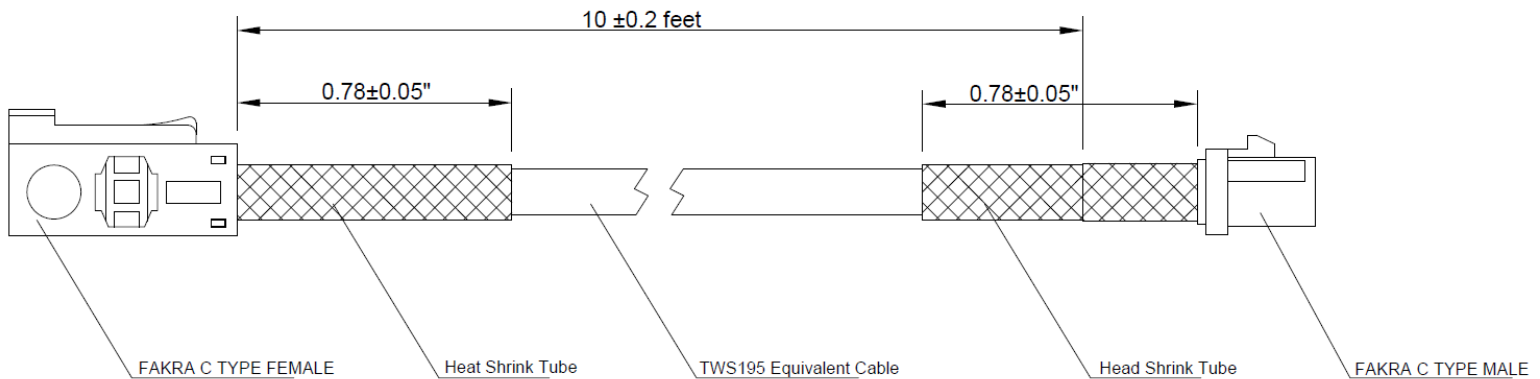
# FAKRA 10FT Male-Female Jumper Series

Ventev 10 feet FAKRA Male to Female Jumpers using TWS-195 Series Cable. The Ventev FAKRA jumpers can extend the reach of existing FAKRA based antennas by up to 10 feet to accommodate additional applications where existing antennas can not reach. The unsealed FAKRA connectors are compatible to USCAR requirements, RoHS compliant and have RF performance up to 6 GHz..

*All Ventev jumpers are covered by the company's 1-year warranty.*



SKU	Ventev P/N	Code	Description
214103	V195FKCM-FKCF-10	C	10FT Male-Female C Jumper, Blue
223395	V195FKDM-FKDF-10	D	10FT Male-Female D Jumper, Purple
242964	V195FKIM-FKIF-10	I	10FT Male-Female I Jumper, Tan



*Note: views shown of C-code key for reference only*

# FAKRA 10FT Male-Female Jumper Series

## Electrical Specifications

Frequency Range (MHz)	DC-6000				
VSWR	≤1.7				
Insertion Loss (dB)	≤2@DC-1GHz	≤2.4@1-2GHz	≤2.5@2-3GHz	≤4@3-5GHz	≤5@5-6GHz
Withstanding Voltage (V)	≥1000				
Insulation Resistance (Ω)	1000M				
Impedance (Ω)	50				

## Mechanical Specifications

Durability	≥500 cycles				
Plastic Shell Material (FAKRA Male)	PA66+30%GF				
Body Material (FAKRA Male)	Nickel Plated Brass				
Center Pin Material (FAKRA Male)	Gold Plated Brass				
Ferrule Material (FAKRA Male)	Nickel Plated Brass				
Plastic Shell Material (FAKRA Female)	PA66+30%GF				
Body Material (FAKRA Female)	Nickel Plated Brass				
Center Pin Material (FAKRA Female)	Gold Plated Brass				
Ferrule Material (FAKRA Female)	Nickel Plated Brass				
Insulator Material	PTFE				
Cable Type / Color	TWS195 or Equivalent / Black				
Length of Cable	10 feet				

## Environmental Specifications

Operating Temperature (°C)	-40 to +85				
Humidity (%)	5 to 95				