

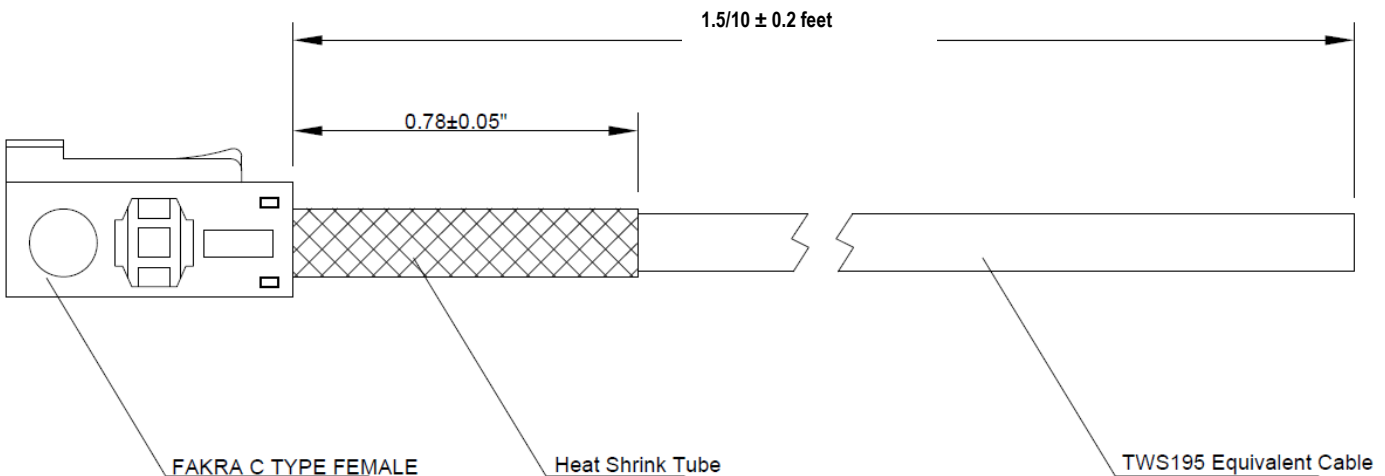
FAKRA Female Pigtail Jumper Series

Ventev FAKRA Female Pigtail Jumpers using TWS-195 Series Cable. The Ventev FAKRA 1.5- and 10-foot pigtails can be used to create custom jumpers that allow the user to connect their existing antennas to FAKRA-based modems or radios. The RF connector of choice can be terminated to the open end of the pigtail extending the life of the existing antenna. The unsealed FAKRA connectors are compatible to USCAR requirements, RoHS compliant and have RF performance up to 6 GHz..

All Ventev jumpers are covered by the company's 1-year warranty.



| SKU | Ventev P/N | Code | Description |
|--------|------------------|------|--------------------------------|
| 261304 | V195FKCF-X-1.5FT | C | 1.5FT Female C Pigtail, Blue |
| 212629 | V195FKCF-X-10FT | C | 10FT Female C Pigtail, Blue |
| 223310 | V195FKDF-X-1.5FT | D | 1.5FT Female D Pigtail, Purple |
| 216014 | V195FKDF-X-10FT | D | 10FT Female D Pigtail, Purple |
| 294427 | V195FKIF-X-1.5FT | I | 1.5FT Female I Pigtail, Tan |
| 266580 | V195FKIF-X-10FT | I | 10FT Female I Pigtail, Tan |



Note: views shown of C-code key for reference only

FAKRA Female Pigtail Jumper Series

Electrical Specifications

| | |
|---------------------------|---------|
| Frequency Range (MHz) | DC-6000 |
| Withstanding Voltage (V) | ≥1000 |
| Insulation Resistance (Ω) | 1000M |
| Impedance (Ω) | 50 |

Mechanical Specifications

| | |
|---------------------------------------|---------------------------|
| Durability | ≥500 cycles |
| Plastic Shell Material (FAKRA Female) | PA66+30%GF |
| Body Material (FAKRA Female) | Nickel Plated Brass |
| Center Pin Material (FAKRA Female) | Gold Plated Brass |
| Ferrule Material (FAKRA Female) | Nickel Plated Brass |
| Insulator Material | PTFE |
| Cable Type / Color | TWS195 Equivalent / Black |

Environmental Specifications

| | |
|----------------------------|------------|
| Operating Temperature (°C) | -40 to +85 |
| Humidity (%) | 5 to 95 |