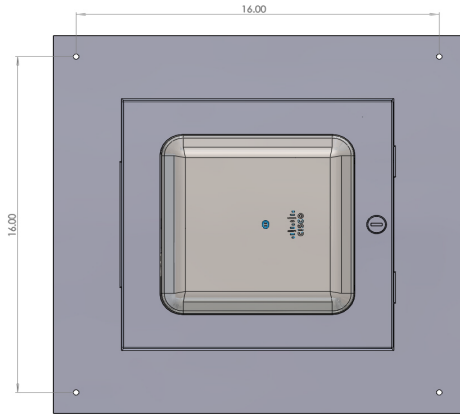


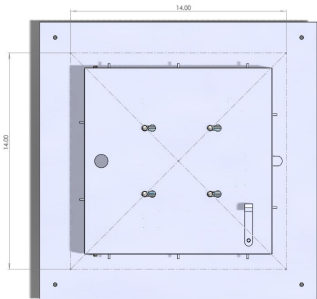
# Hard Cap Ceiling Enclosure Installation Instructions for Cisco, Aruba and Meraki APs



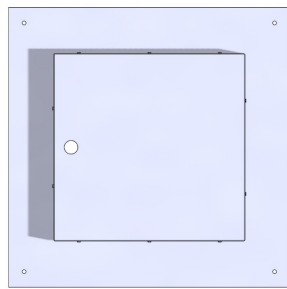
1) The enclosure has ¼” holes qty 4 spaced on 16” centers as shown. Center the holes with the studs in the ceiling. (AP not included)

2) Cut a 14” x 14” square hole into the ceiling to allow the enclosure to be recessed into the ceiling.

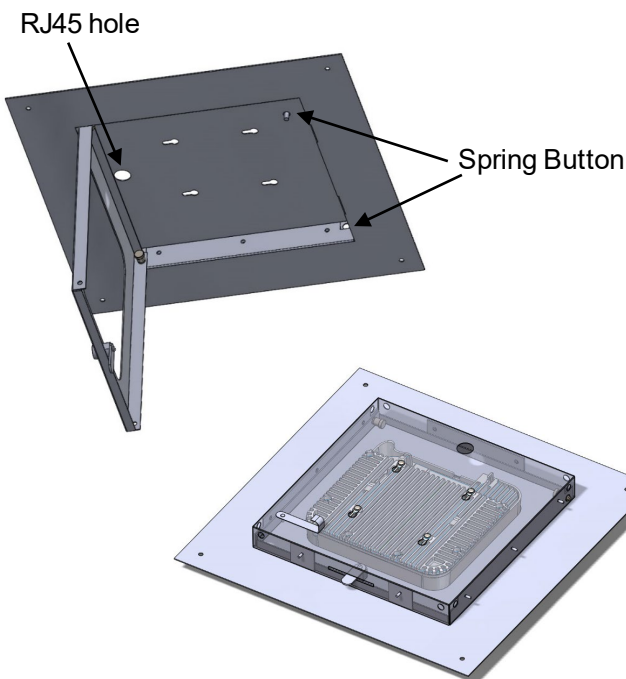
3) Slide the enclosure into the hole and secure to the ceiling with the appropriate hardware for the type of installation you are performing. For studs, use #12 x 1.5” wood screws. If mounting to other materials use the correct wall anchors to support the enclosure plus the weight of the AP of approximately 5 lbs.



Cisco only base



Standard base



## Cisco 3800 Installs

4) Unlock the door and allow it to swing open and hang.

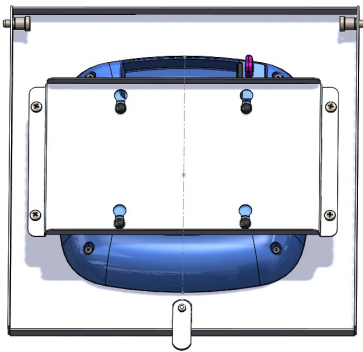
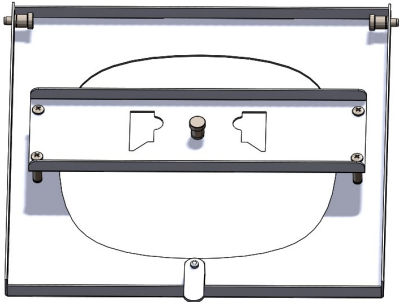
5) Run the RJ45 cable into the large hole in the tray of the enclosure and secure the wire with the romex connector.

6) Slide the AP feet into the keyholes. This will require you to depress the spring button with the AP. After sliding the AP into place the spring button will secure the AP from sliding out. The AP cutout with ports must face the cable hole as shown.

7) Close the door and lock.

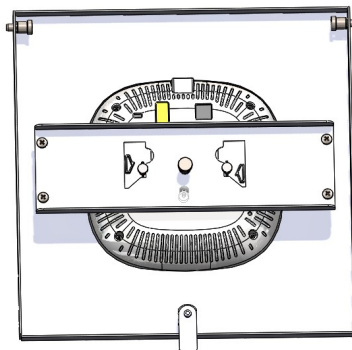
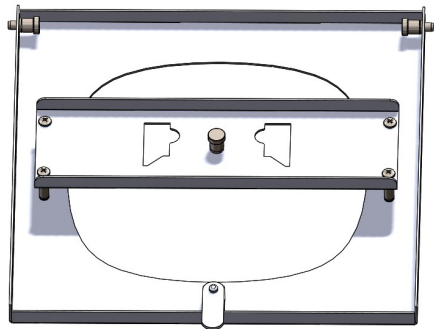
8) To remove the AP press the spring button up and slide the AP out of the key holes.

# Hard Cap Ceiling Enclosure Installation Instructions for Cisco, Aruba and Meraki APs



## Cisco Installs other than 3800

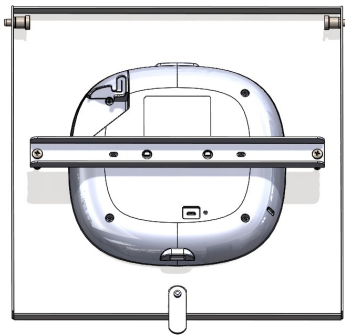
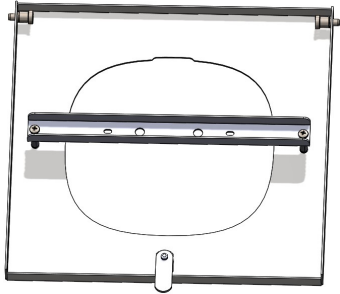
- 4) Remove the door from the ceiling enclosure by pulling the heads of the 2 spring button pins that act as the door hinge.
- 5) Remove the 4 screws that hold the AP cross bar to the door stand offs.
- 6) Place AP in the door from the front side and slide the cross bar onto the AP mounting feet from the back side.
- 7) Attach the cross bar to the door with 4 screws.
- 8) Run the RJ45 cable into the large hole in the tray of the enclosure and secure the wire with the romex connector.
- 9) Attach the door assembly to installed base in the ceiling and then attach the RJ45 cable to AP
- 10) Close the door and lock.



## Aruba AP with Mounting Feet Install

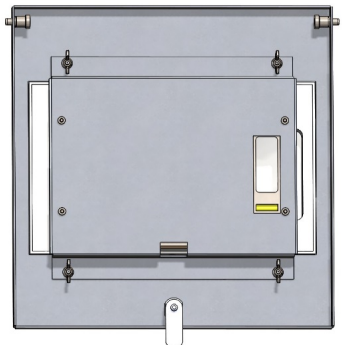
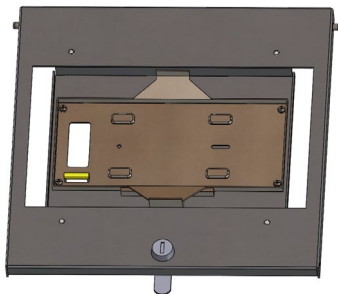
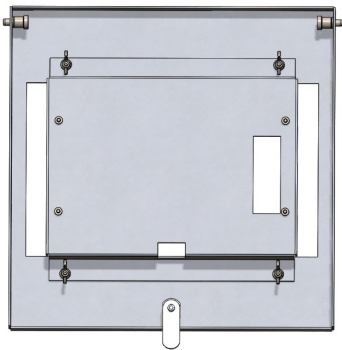
- 4) Remove the door from the ceiling tile assembly by pulling the heads of the 2 spring button pins that act as the door hinge.
- 5) Remove the 4 screws that hold the AP cross bar to the door stand offs
- 6) Place AP in door from the front side, slide the cross bar onto the AP mounting feet from the back side.
- 7) Attach the cross bar to the door with 4 screws.
- 8) Run the RJ 45 cable into the large hole in the tray of the enclosure and secure the wire with the romex connector.
- 9) Attach door assembly to installed base in the ceiling and attach RJ45 cable to AP
- 10) Close the door and lock.

# Hard Cap Ceiling Enclosure Installation Instructions for Cisco, Aruba and Meraki APs



## Aruba AP with Mounting Bar Install (500 series and later)

- 4) Remove the door from the enclosure by pulling the heads of the 2 spring button pins that act as the door hinge.
- 5) Remove the 2 screws that hold the AP cross bar to the door stand offs.
- 6) Remove the black factory mount from the AP and retain the 2 screws.
- 7) Place AP in door from the front side, screw the cross bar onto the AP from the back side using the screws that were removed from the AP.
- 8) Attach the cross bar to door with screws from step 5.
- 9) Run the RJ45 cable into the large hole in the tray of the enclosure and secure the wire with the romex connector.
- 10) Attach door assembly to installed base in the ceiling and attach RJ45 cable to the AP
- 11) Close the door and lock



## Meraki Installs MR33, 42, 52, MR45/46 and MR55/56

- 4) Remove the door from the ceiling enclosure by pulling the heads of the 2 spring button pins that act as the door hinge.
- 5) Remove the 4 wing nuts that hold the AP cross bar to the door. Attach the AP bracket to the cross bar.
- 6) Place AP in door from the front side, snap the cross bar onto the AP from the back side.
- 7) Attach the cross bar to the door with 4 wing nuts.
- 8) Run the RJ45 cable into the large hole in the tray of the enclosure and secure the wire with the romex connector.
- 9) Attach door assembly to installed base in the ceiling and attach RJ45 cable to AP
- 10) Close the door and lock