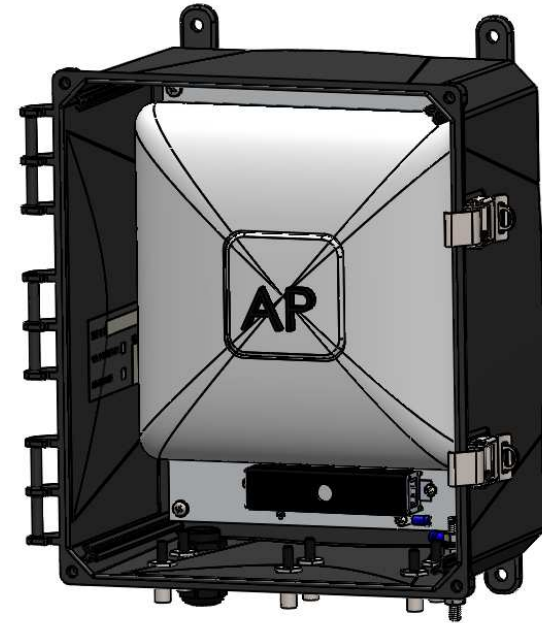


# POE RETROFIT KIT INSTRUCTIONS

ITEM NO.	TESSCO SKU	DESCRIPTION	QTY
1	566511	POE MODULE	1
2	501511	HEATER	1
3	07084	INSTRUCTION SHEET	1



## IMPORTANT NOTES:

- 1) POE RETROFIT KIT INCLUDES POE MODULE, HEATER AND INSTRUCTION SHEET. **EXTRA HARDWARE OR CABLES NOT INCLUDED.**
- 2) ALL NECESSARY CABLING / HARDWARE IS ALREADY IN THE ENCLOSURE AND MUST BE RE-USED
- 3) ACCESS POINT (AP) MAY BE DIFFICULT TO REMOVE BECAUSE OF RF CABLING. RF CABLING MAY HAVE TO BE MOVED FROM THE TOP OF AP IN ORDER TO REMOVE IT

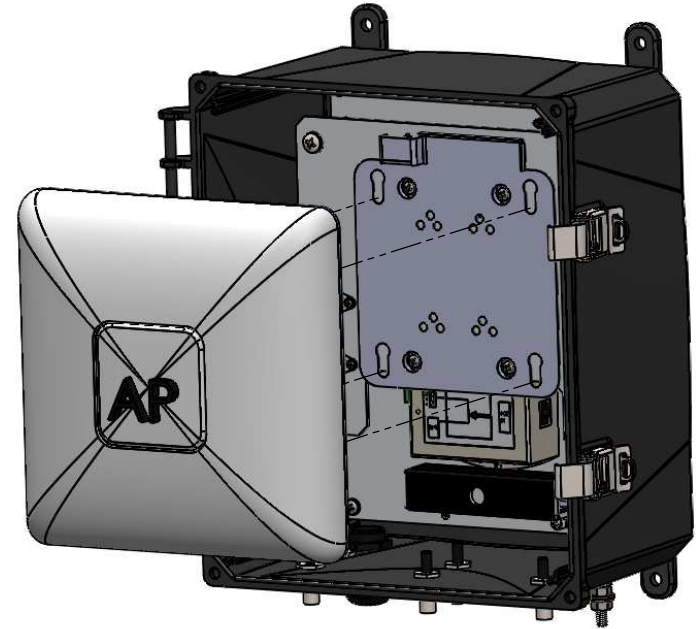
**CONFIDENTIAL AND PROPRIETARY**  
 THE INFORMATION CONTAINED HEREIN IS THE CONFIDENTIAL AND THE EXCLUSIVE PROPERTY OF TESSCO TECHNOLOGIES INCORPORATED. THIS DOCUMENT, AND THE INFORMATION CONTAINED HEREIN, SHALL NOT BE COPIED, REPRODUCED, PUBLISHED, DISPLAYED OR DISTRIBUTED, IN WHOLE OR IN PART, IN ANY MEDIUM, BY ANY MEANS, FOR ANY PURPOSE WITHOUT THE EXPRESS WRITTEN CONSENT OF TESSCO TECHNOLOGIES INCORPORATED.  
 ©2010 TESSCO TECHNOLOGIES INCORPORATED  
 ALL RIGHTS RESERVED

UNLESS OTHERWISE SPECIFIED:		DRAWN	Admin	03/19/2014
TOLERANCES: ±.XX = ±.01 ±.XXX = ±.005 ±.XXXX = ±.0001 ±X.X* = ±*1.0		RESP ENG		
CAD FEATURES ARE BASIC: DIMENSIONS ARE IN INCHES DIMENSIONS IN [ ] ARE IN MM INTERPRET GEOMETRIC TOLERANCING PER ANSI Y14.5 - 2009		APPR.	Francis	May 13, 2014
3RD ANGLE PROJECTION		MATERIAL:	SEE NOTES	
		FINISH:	SEE NOTES	
		SIZE	CAGE CODE	
		B	8J168	
		TITLE:		
		ventev		A Division of Tescso Technologies Incorporated
		DWG. NO.		REV
		VN172008		0
		DO NOT SCALE DRAWING	SCALE: 1:5	SHEET 1 OF 7

# STEP 1: REMOVING AP

## NOTES:

- 1) DISCONNECT RF CABLES FROM AP
- 1) TAKE AP OFF OF BRACKET
- 2) REMOVE ETHERNET CABLE LEADING TO AP
- 3) SET AP ASIDE
- 4) IF A MID SPAN POE INJECTOR IS POWERING THE AP FROM THE SWITCH, DISCONNECT MID SPAN INJECTOR FROM SWITCH AND PLUG RJ45 CABLE DIRECTLY FROM SWITCH TO AP.



CONFIDENTIAL AND PROPRIETARY  
 THE INFORMATION CONTAINED HEREIN IS THE CONFIDENTIAL AND THE EXCLUSIVE PROPERTY OF TESSCO TECHNOLOGIES INCORPORATED. THIS DOCUMENT, AND THE INFORMATION CONTAINED HEREIN, SHALL NOT BE COPIED, REPRODUCED, PUBLISHED, DISPLAYED OR DISTRIBUTED, IN WHOLE OR IN PART, IN ANY MEDIUM, BY ANY MEANS, FOR ANY PURPOSE WITHOUT THE EXPRESS WRITTEN CONSENT OF TESSCO TECHNOLOGIES INCORPORATED.  
 ©2010 TESSCO TECHNOLOGIES INCORPORATED  
 ALL RIGHTS RESERVED

UNLESS OTHERWISE SPECIFIED:		DRAWN	Admin	03/19/2014
TOLERANCES: ±.XX = ±.01 ±.XXX = ±.005 ±.XXXX = ±.0001 ±X.X* = ±*1.0		RESP ENG		
CAD FEATURES ARE BASIC: DIMENSIONS ARE IN INCHES DIMENSIONS IN [ ] ARE IN MM INTERPRET GEOMETRIC TOLERANCING PER ANSI Y14.5 - 2009		APPR.	Francis	May 13, 2014
3RD ANGLE PROJECTION		MATERIAL:	SEE NOTES	
		FINISH:	SEE NOTES	
SIZE	CAGE CODE	TITLE:		
B	8J168	 A Division of Tesco Technologies Incorporated		
		DWG. NO. <b>VN172008</b>		
		REV <b>0</b>		
		DO NOT SCALE DRAWING    SCALE: 1:5    SHEET 2 OF 7		

# STEP 2: DISCONNECTING OLD HEATER

## NOTES:

- 1) REMOVE QTY 4 SCREWS AND QTY 4 LOCK WASHERS FROM TOP PLATE AS SHOWN AND SET HARDWARE ASIDE TO BE **REUSED** LATER. LEAVE AP MOUNTING BRACKET IN PLACE AND TURN TOP PLATE OVER SO YOU CAN VIEW THE BACK.
- 2) CUT THE 2 WIRES FROM THE OLD HEATER AS SEEN IN FIGURE 1

FIGURE 1



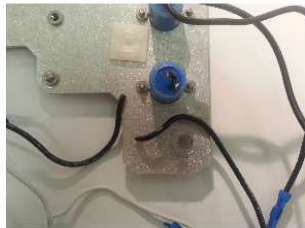
CUT WIRES FROM HEATER

FIGURE 2



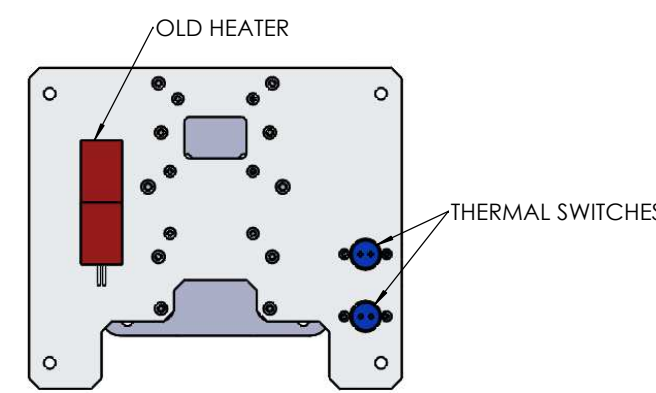
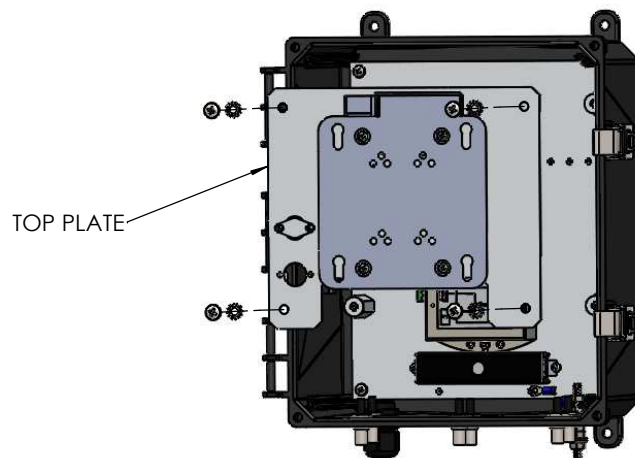
CUT WIRE TIES

FIGURE 3



CUT WIRES FROM THERMAL SWITCH ATTACHED TO HEATER. IF THERE IS ANOTHER THERMAL SWITCH THAT LEADS TO THE FAN, DO NOT TOUCH IT

- 3) IF THERE ARE WIRE TIES ATTACHED TO HEATER WIRING, CUT THEM AS SEEN IN FIGURE 1 AND 2.
- 4) TRACE RECENTLY CUT WIRE FROM HEATER TO THERMAL SWITCH. CUT BOTH WIRES FROM THERMAL SWITCH THAT WAS ATTACHED TO HEATER AS SEEN IN FIGURE 3. THE LABEL ON THE SIDE OF THE THERMAL SWITCH SHOULD BE MARKED "431-301A190-563". (IF ENCLOSURES HAS A FAN, THERE WILL BE TWO THERMAL SWITCHES AS SHOWN IN FIGURE 3. **DO NOT CUT THE WIRES FROM THE SECOND THERMAL SWITCH FOR THE FAN**)
- 5) DISCARD WIRE BETWEEN THERMAL SWITCH AND HEATER
- 6) SET TOP PLATE ASIDE



A Division of Tesco Technologies Incorporated

TITLE:  
**POE RETROFIT INSTRUCTION SHEET SKU 07084**

DWG. NO.  
**VN172008**

REV  
**0**

DO NOT SCALE DRAWING    SCALE: 1:5    SHEET 3 OF 7

UNLESS OTHERWISE SPECIFIED:	DRAWN	Admin	03/19/2014
TOLERANCES: ±.XX = ±.01 ±.XXX = ±.005 ±.XXXX = ±.0001 ±X.X* = ±*1.0	RESP ENG		
CAD FEATURES ARE BASIC: DIMENSIONS ARE IN INCHES DIMENSIONS IN [ ] ARE IN MM INTERPRET GEOMETRIC TOLERANCING PER ANSI Y14.5 - 2009	APPR.	Francis	May 13, 2014
3RD ANGLE PROJECTION	MATERIAL:	SEE NOTES	
	FINISH:	SEE NOTES	
	SIZE	CAGE CODE	
	B	8J168	

**CONFIDENTIAL AND PROPRIETARY**  
THE INFORMATION CONTAINED HEREIN IS THE CONFIDENTIAL AND THE EXCLUSIVE PROPERTY OF TESCO TECHNOLOGIES INCORPORATED. THIS DOCUMENT, AND THE INFORMATION CONTAINED HEREIN, SHALL NOT BE COPIED, REPRODUCED, PUBLISHED, DISPLAYED OR DISTRIBUTED, IN WHOLE OR IN PART, IN ANY MEDIUM, BY ANY MEANS, FOR ANY PURPOSE WITHOUT THE EXPRESS WRITTEN CONSENT OF TESCO TECHNOLOGIES INCORPORATED.  
©2010 TESCO TECHNOLOGIES INCORPORATED  
ALL RIGHTS RESERVED

# STEP 3: REPLACE POE MODULE

## NOTES:

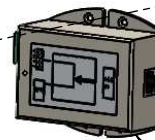
- 1) DISCONNECT SURGE SUPPRESSOR ETHERNET CABLE FROM OLD POE MODULE. ALSO DISCONNECT ETHERNET CABLE FROM POE MODULE THAT LED TO AP AND SET ASIDE TO BE **REUSED** LATER.
- 2) REMOVE OLD POE MODULE FROM ENCLOSURE BACK PLATE BY COMPLETELY REMOVING THE TOP SCREW AND LOOSENING THE BOTTOM SCREW. SLIDE POE MODULE OUT OF ENCLOSURE AND SAVE SCREW.
- 3) REMOVE THE GREEN TERMINAL BLOCK ATTACHED TO OLD POE MODULE AND SET ASIDE TO BE **REUSED** LATER. DISCARD OLD POE MODULE.
- 4) REMOVE THE 2 RECENTLY CUT THERMAL SWITCH WIRES FROM POE MODULE GREEN TERMINAL BLOCK AS SEEN IN FIGURE 4 BELOW DISCARD THE 2 WIRES

FIGURE 4

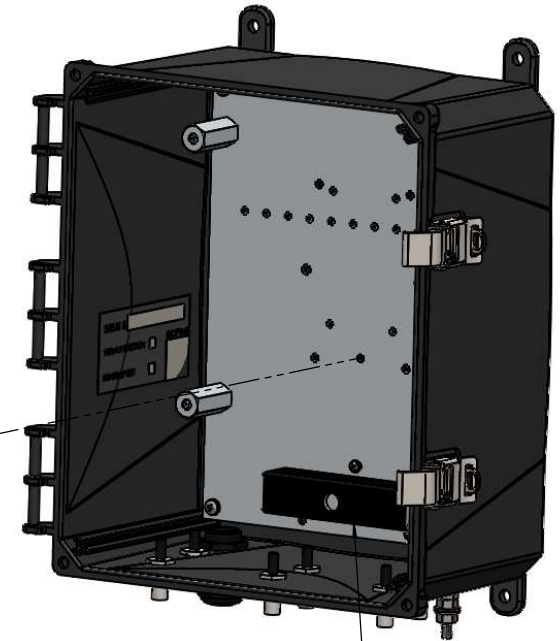


REMOVE THERMAL SWITCH WIRES FROM POE MODULE TERMINAL BLOCK

IT IS ONLY NECESSARY TO REMOVE ONE SCREW TO TAKE POE MODULE OFF OF BACK PLATE. LOWER SCREW CAN SIMPLY BE LOOSENED



POE MODULE



SURGE SUPPRESSOR

- 5) TAKE OUT THE GREEN TERMINAL BLOCK FROM THE NEW POE MODULE AND DISCARD. REPLACE IT WITH THE GREEN TERMINAL BLOCK FROM THE OLD POE MODULE
- 6) CONNECT SURGE SUPPRESSOR ETHERNET CABLE TO NEW POE MODULE
- 7) CONNECT LOOSE ETHERNET CABLE TO NEW POE MODULE
- 8) PLACE NEW POE MODULE (SKU 566511 & MODEL #MIT-27G-4812BL) ON BACK PLATE AND ATTACH USING THE SAME SCREWS FROM NOTE 2.

CONFIDENTIAL AND PROPRIETARY  
 THE INFORMATION CONTAINED HEREIN IS THE CONFIDENTIAL AND THE EXCLUSIVE PROPERTY OF TESSCO TECHNOLOGIES INCORPORATED. THIS DOCUMENT, AND THE INFORMATION CONTAINED HEREIN, SHALL NOT BE COPIED, REPRODUCED, PUBLISHED, DISPLAYED OR DISTRIBUTED, IN WHOLE OR IN PART, IN ANY MEDIUM, BY ANY MEANS, FOR ANY PURPOSE WITHOUT THE EXPRESS WRITTEN CONSENT OF TESSCO TECHNOLOGIES INCORPORATED.  
 ©2010 TESSCO TECHNOLOGIES INCORPORATED  
 ALL RIGHTS RESERVED

UNLESS OTHERWISE SPECIFIED:	DRAWN Admin 03/19/2014
TOLERANCES: ±.XX = ±.01 ±.XXX = ±.005 ±.XXXX = ±.0001 ±X.X* = ±*1.0	RESP ENG
CAD FEATURES ARE BASIC: □.005   A   B   C	APPR. Francis May 13, 2014
DIMENSIONS ARE IN INCHES DIMENSIONS IN [ ] ARE IN MM	MATERIAL: SEE NOTES
INTERPRET GEOMETRIC TOLERANCING PER ANSI Y14.5 - 2009	FINISH: SEE NOTES
3RD ANGLE PROJECTION	SIZE B CAGE CODE 8J168



A Division of Tesco Technologies Incorporated

TITLE:  
**POE RETROFIT INSTRUCTION SHEET SKU 07084**

DWG. NO.  
**VN172008**

REV  
**0**

DO NOT SCALE DRAWING SCALE: 1:5 SHEET 4 OF 7

# STEP 4: INSTALL NEW HEATER

## NOTES:

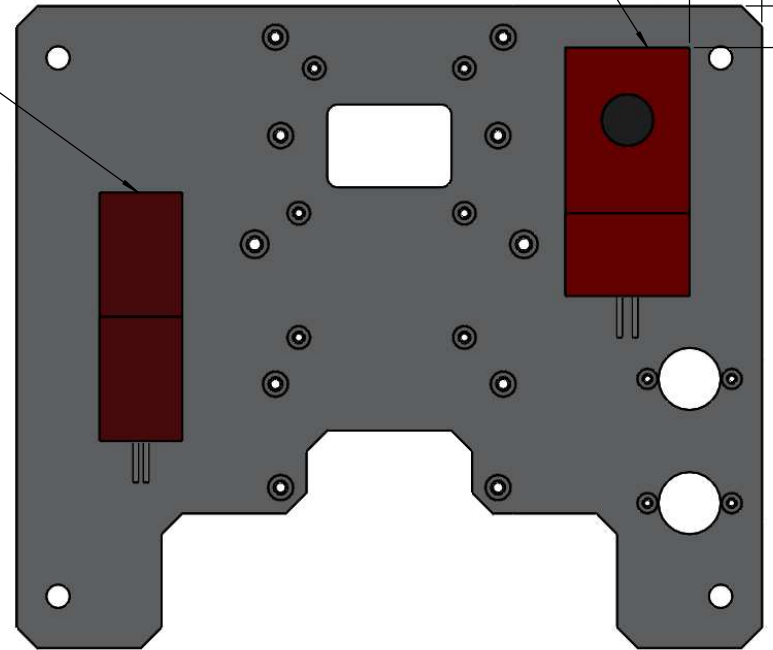
- 1) PICK UP TOP PLATE AND TURN OVER SO HEATER IS VISIBLE.
- 2) ATTACH NEW HEATER 501511 AS SHOWN. HEATER COMES WITH ADHESIVE ALREADY ON IT
- 3) AFTER HEATER IS ATTACHED, PLUG 2 WIRES FROM HEATER INTO GREEN TERMINAL BLOCK THAT IS ON NEW POE MODULE. IT DOES NOT MATTER WHICH WIRE GOES INTO WHICH TERMINAL. SEE WIRING DIAGRAM BELOW

LEAVE OLD HEATER IN PLACE

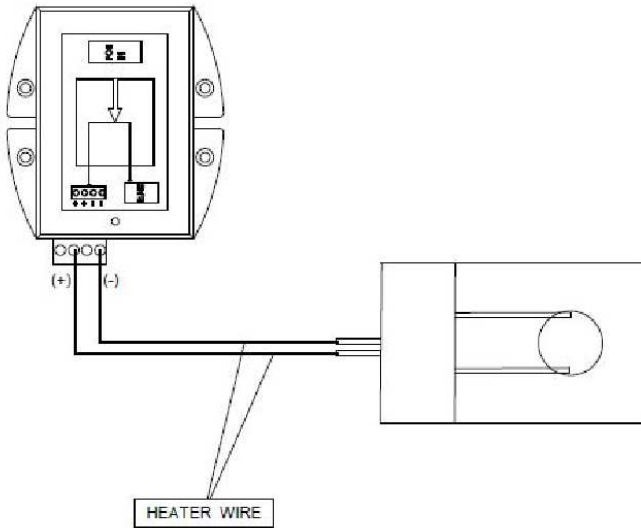
NEW HEATER  
SKU 501511

$\frac{7}{8}$ "

$\frac{1}{2}$ "



WIRING DIAGRAM



CONFIDENTIAL AND PROPRIETARY  
THE INFORMATION CONTAINED HEREIN IS THE CONFIDENTIAL AND THE EXCLUSIVE PROPERTY OF TESSCO TECHNOLOGIES INCORPORATED. THIS DOCUMENT, AND THE INFORMATION CONTAINED HEREIN, SHALL NOT BE COPIED, REPRODUCED, PUBLISHED, DISPLAYED OR DISTRIBUTED, IN WHOLE OR IN PART, IN ANY MEDIUM, BY ANY MEANS, FOR ANY PURPOSE WITHOUT THE EXPRESS WRITTEN CONSENT OF TESSCO TECHNOLOGIES INCORPORATED.  
©2010 TESSCO TECHNOLOGIES INCORPORATED  
ALL RIGHTS RESERVED

UNLESS OTHERWISE SPECIFIED:	DRAWN	Admin	03/19/2014
TOLERANCES: ±.XX = ±.01 ±.XXX = ±.005 ±.XXXX = ±.0001 ±X.X* = ±*1.0	RESP ENG		
CAD FEATURES ARE BASIC: DIMENSIONS ARE IN INCHES DIMENSIONS IN [ ] ARE IN MM	APPR.	Francis	May 13, 2014
INTERPRET GEOMETRIC TOLERANCING PER ANSI Y14.5 - 2009	MATERIAL:	SEE NOTES	
3RD ANGLE PROJECTION	FINISH:	SEE NOTES	
	SIZE	CAGE CODE	
	B	8J168	

**ventev**

A Division of Tesco Technologies Incorporated

TITLE:  
**POE RETROFIT INSTRUCTION SHEET SKU 07084**

DWG. NO.  
**VN172008**

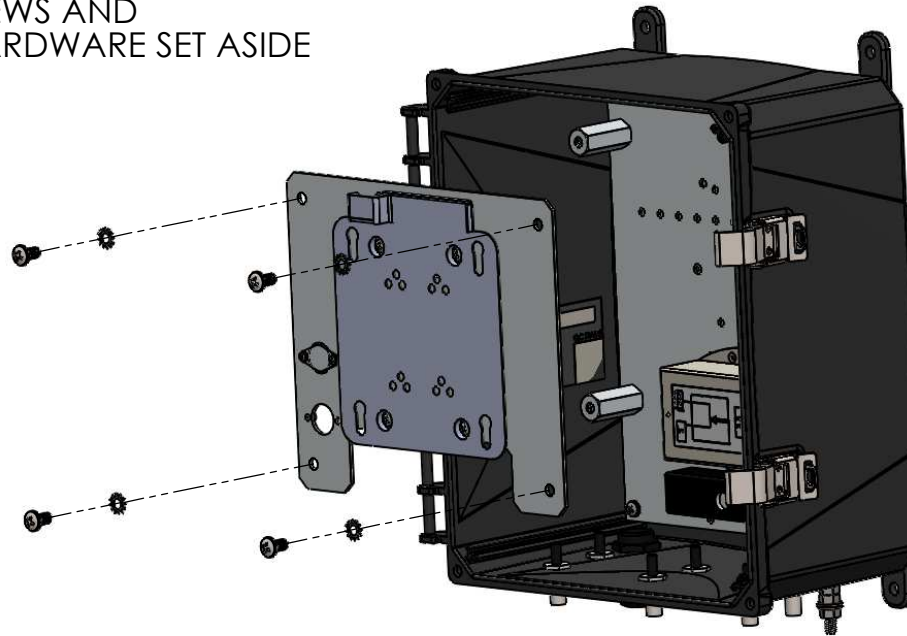
REV  
**0**

DO NOT SCALE DRAWING SCALE: 1:5 SHEET 5 OF 7

# STEP 5: INSTALL BACK PLATE

## NOTES:

- 1) REPLACE TOP PLATE WITH QTY 4 SCREWS AND QTY 4 LOCK WASHERS (ORIGINAL HARDWARE SET ASIDE ON PAGE 3)



CONFIDENTIAL AND PROPRIETARY  
 THE INFORMATION CONTAINED HEREIN IS THE CONFIDENTIAL AND THE EXCLUSIVE PROPERTY OF TESSCO TECHNOLOGIES INCORPORATED. THIS DOCUMENT, AND THE INFORMATION CONTAINED HEREIN, SHALL NOT BE COPIED, REPRODUCED, PUBLISHED, DISPLAYED OR DISTRIBUTED, IN WHOLE OR IN PART, IN ANY MEDIUM, BY ANY MEANS, FOR ANY PURPOSE WITHOUT THE EXPRESS WRITTEN CONSENT OF TESSCO TECHNOLOGIES INCORPORATED.

©2010 TESSCO TECHNOLOGIES INCORPORATED  
 ALL RIGHTS RESERVED

UNLESS OTHERWISE SPECIFIED:		DRAWN	Admin	03/19/2014
TOLERANCES:		RESP ENG		
±.XX = ±.01		APPR.	Francis	May 13, 2014
±.XXX = ±.005		APPR.		
±.XXXX = ±.0001		MATERIAL:	SEE NOTES	
±X.X* = ±*1.0		FINISH:	SEE NOTES	
CAD FEATURES ARE BASIC:		SIZE	CAGE CODE	
$\square$ .005   A   B   C DIMENSIONS ARE IN INCHES DIMENSIONS IN [ ] ARE IN MM INTERPRET GEOMETRIC TOLERANCING PER ANSI Y14.5 - 2009		B	8J168	
3RD ANGLE PROJECTION		DO NOT SCALE DRAWING		
		SCALE: 1:5		



A Division of Tesco Technologies Incorporated

TITLE:  
**POE RETROFIT INSTRUCTION SHEET SKU 07084**

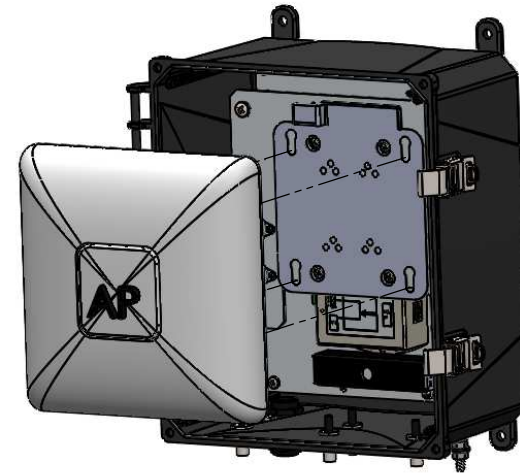
DWG. NO. **VN172008** REV **0**

SCALE: 1:5 SHEET 6 OF 7

# STEP 6: INSTALL AP

## NOTES:

- 1) ATTACH ETHERNET CABLE FROM POE MODULE TO ETHERNET PORT ON AP
- 2) PLACE AP ON PLATE AND SECURE IN PLACE
- 3) ATTACH ALL RF CABLES TO AP THAT WERE DISCONNECTED IN THE BEGINNING
- 4) POWER UP AP
- 5) RETROFIT NOW COMPLETE



UNLESS OTHERWISE SPECIFIED:		DRAWN	Admin	03/19/2014
TOLERANCES: ±.XX = ±.01 ±.XXX = ±.005 ±.XXXX = ±.0001 ±X.X* = ±*1.0		RESP ENG		
CAD FEATURES ARE BASIC: DIMENSIONS ARE IN INCHES DIMENSIONS IN [ ] ARE IN MM INTERPRET GEOMETRIC TOLERANCING PER ANSI Y14.5 - 2009		APPR.	Francis	May 13, 2014
3RD ANGLE PROJECTION		MATERIAL:	SEE NOTES	
<p>CONFIDENTIAL AND PROPRIETARY</p> <p>CONFIDENTIAL AND PROPRIETARY THE INFORMATION CONTAINED HEREIN IS THE CONFIDENTIAL AND THE EXCLUSIVE PROPERTY OF TESSCO TECHNOLOGIES INCORPORATED. THIS DOCUMENT, AND THE INFORMATION CONTAINED HEREIN, SHALL NOT BE COPIED, REPRODUCED, PUBLISHED, DISPLAYED OR DISTRIBUTED, IN WHOLE OR IN PART, IN ANY MEDIUM, BY ANY MEANS, FOR ANY PURPOSE WITHOUT THE EXPRESS WRITTEN CONSENT OF TESSCO TECHNOLOGIES INCORPORATED.</p> <p>©2010 TESSCO TECHNOLOGIES INCORPORATED ALL RIGHTS RESERVED</p>		FINISH:	SEE NOTES	
		SIZE	CAGE CODE	
		B	8J168	
				A Division of Tesco Technologies Incorporated
		<b>TITLE:</b> <b>POE RETROFIT INSTRUCTION SHEET SKU 07084</b>		
		<b>DWG. NO.</b> <b>VN172008</b>		<b>REV</b> <b>0</b>
		DO NOT SCALE DRAWING		SCALE: 1:5
				SHEET 7 OF 7