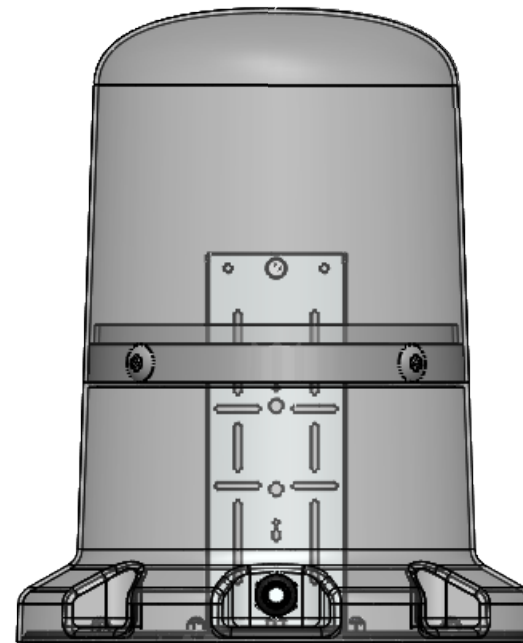
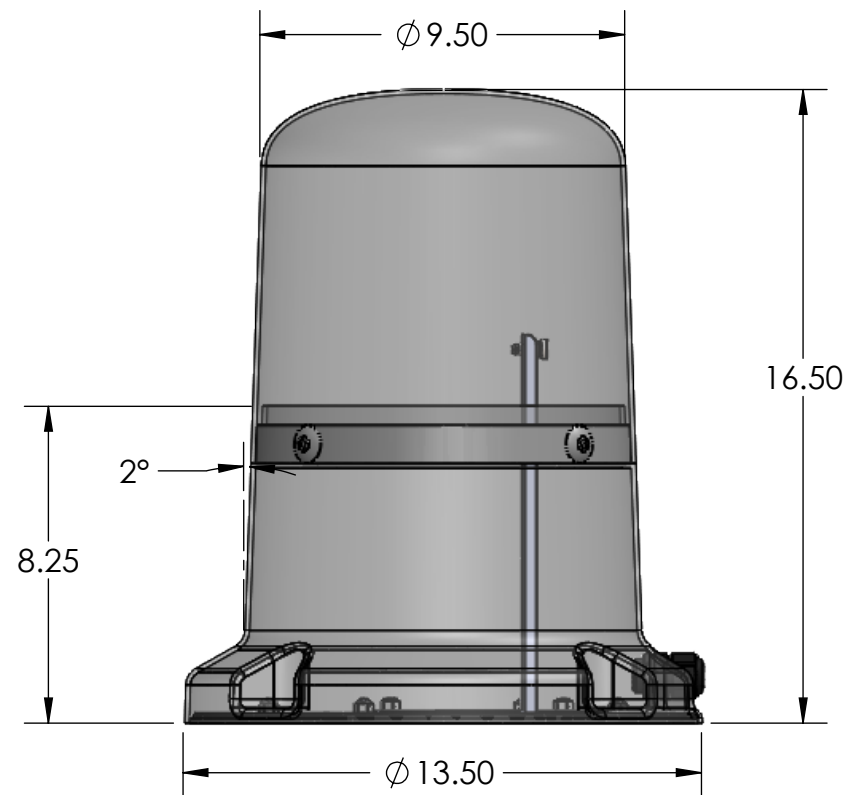
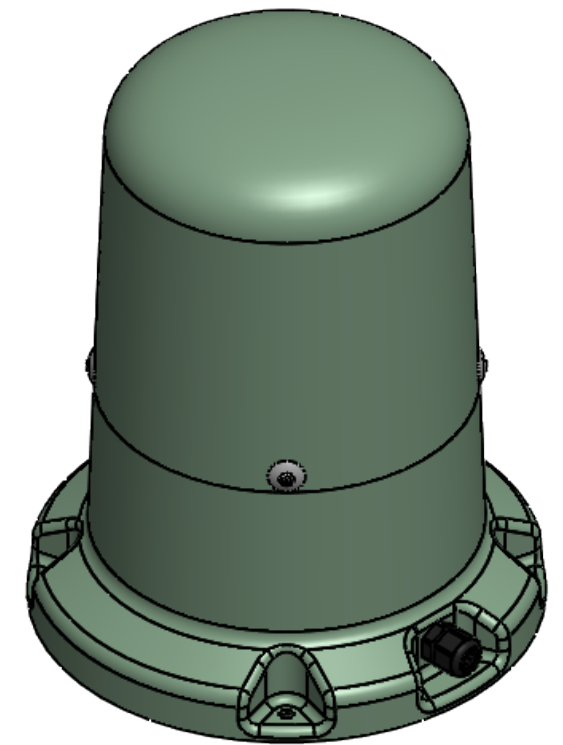
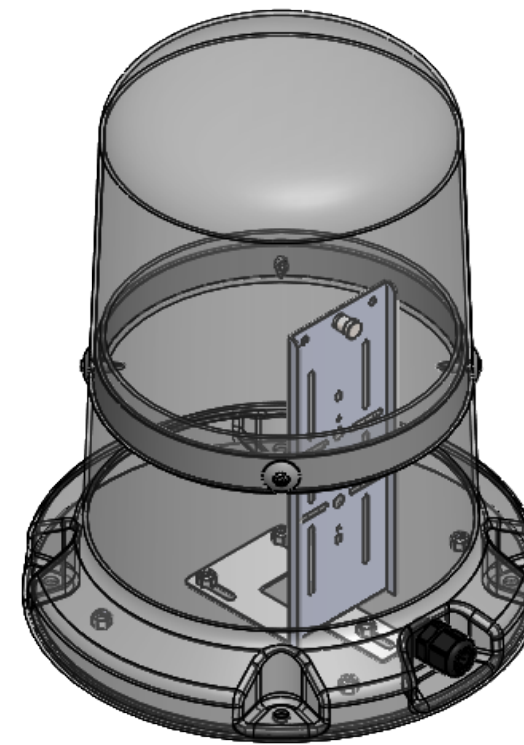
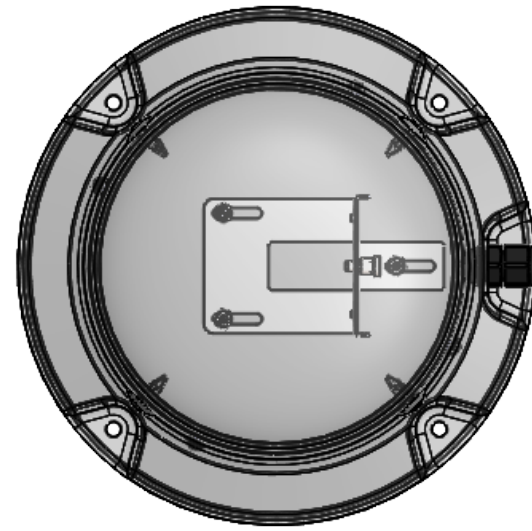


8 7 6 5 4 3 2 1

D
C
B
A


D
C
B
A



CONFIDENTIAL AND PROPRIETARY
 THE INFORMATION CONTAINED HEREIN IS THE CONFIDENTIAL AND THE EXCLUSIVE PROPERTY OF TESSCO TECHNOLOGIES INCORPORATED. THIS DOCUMENT, AND THE INFORMATION CONTAINED HEREIN, SHALL NOT BE COPIED, REPRODUCED, PUBLISHED, DISPLAYED OR DISTRIBUTED, IN WHOLE OR IN PART IN ANY MEDIUM, BY ANY MEANS, FOR ANY PURPOSE WITHOUT THE EXPRESS WRITTEN CONSENT OF TESSCO TECHNOLOGIES INCORPORATED.
 ©2010 TESSCO TECHNOLOGIES INCORPORATED
 ALL RIGHTS RESERVED

UNLESS OTHERWISE SPECIFIED:	DRAWN	Powells	Mar 4, 2020
TOLERANCES: ±.XX = ± ±.XXX = ± ±.XXXX = ± ±X.X° = ±°	RESP ENG		
CAD FEATURES ARE BASIC: [Symbol] .005 [A] [B] [C]	APPR.		
DIMENSIONS ARE IN INCHES DIMENSIONS IN [] ARE IN MM INTERPRET GEOMETRIC TOLERANCING PER ANSI Y14.5 - 2009	APPR.		
3RD ANGLE PROJECTION [Symbol]	MATERIAL: SEE NOTES		
	FINISH: SEE NOTES		
	SIZE	CAGE CODE	
	B	8J168	

SKU:



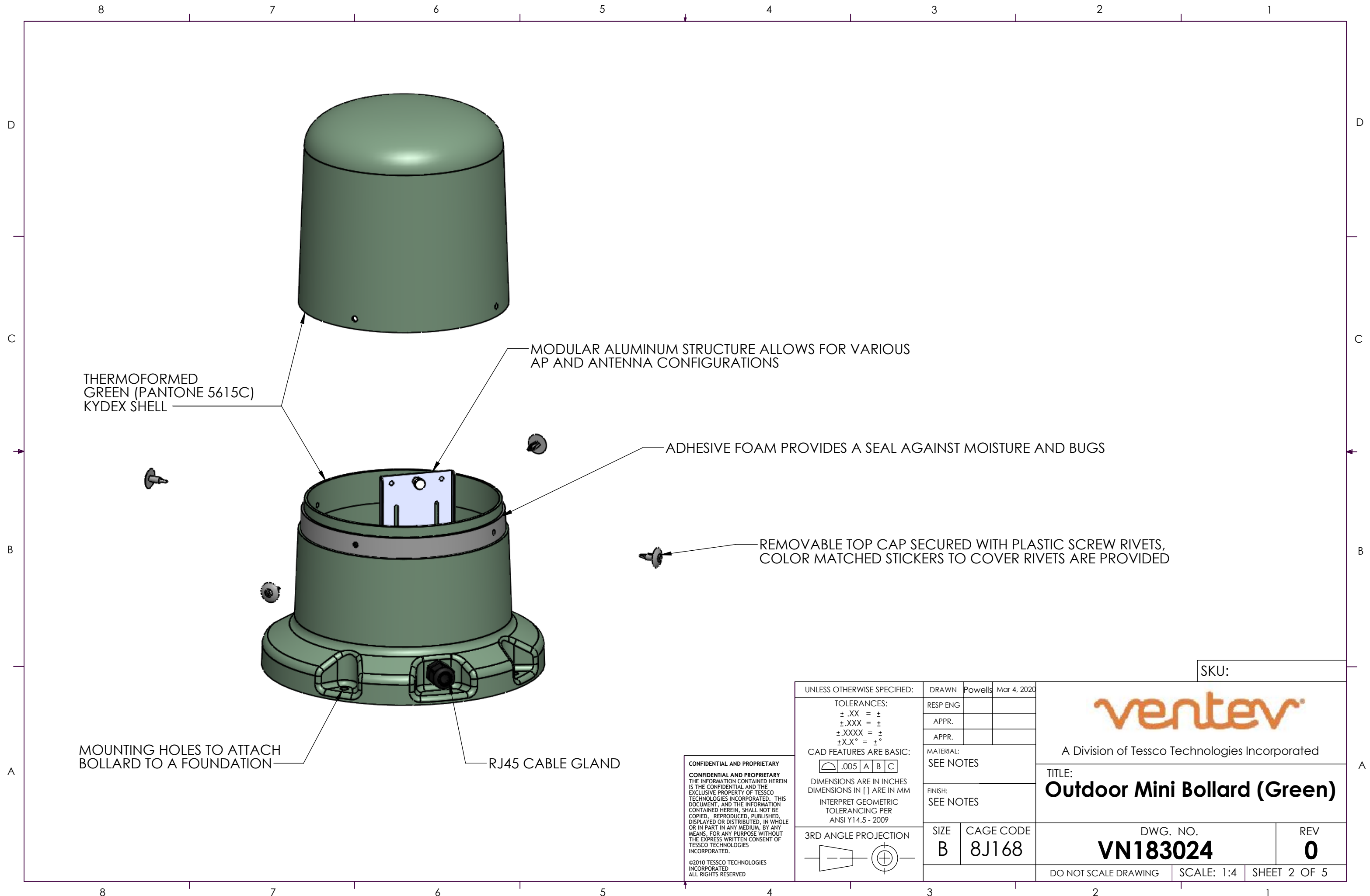
A Division of Tessco Technologies Incorporated

TITLE:
Outdoor Mini Bollard (Green)

DWG. NO. VN183024	REV 0
-----------------------------	-----------------

DO NOT SCALE DRAWING SCALE: 1:5 SHEET 1 OF 5

8 7 6 5 4 3 2 1



THERMOFORMED GREEN (PANTONE 5615C) KYDEX SHELL

MODULAR ALUMINUM STRUCTURE ALLOWS FOR VARIOUS AP AND ANTENNA CONFIGURATIONS

ADHESIVE FOAM PROVIDES A SEAL AGAINST MOISTURE AND BUGS

REMOVABLE TOP CAP SECURED WITH PLASTIC SCREW RIVETS, COLOR MATCHED STICKERS TO COVER RIVETS ARE PROVIDED

MOUNTING HOLES TO ATTACH BOLLARD TO A FOUNDATION

RJ45 CABLE GLAND

SKU:

CONFIDENTIAL AND PROPRIETARY
 THE INFORMATION CONTAINED HEREIN IS THE CONFIDENTIAL AND THE EXCLUSIVE PROPERTY OF TESSCO TECHNOLOGIES INCORPORATED. THIS DOCUMENT, AND THE INFORMATION CONTAINED HEREIN, SHALL NOT BE COPIED, REPRODUCED, PUBLISHED, DISPLAYED OR DISTRIBUTED, IN WHOLE OR IN PART IN ANY MEDIUM, BY ANY MEANS, FOR ANY PURPOSE WITHOUT THE EXPRESS WRITTEN CONSENT OF TESSCO TECHNOLOGIES INCORPORATED.
 ©2010 TESSCO TECHNOLOGIES INCORPORATED
 ALL RIGHTS RESERVED

UNLESS OTHERWISE SPECIFIED:	DRAWN	Powells	Mar 4, 2020
TOLERANCES: ±.XX = ± ±.XXX = ± ±.XXXX = ± ±X.X° = ±°	RESP ENG		
CAD FEATURES ARE BASIC: [Symbol] .005 [A] [B] [C]	APPR.		
DIMENSIONS ARE IN INCHES DIMENSIONS IN [] ARE IN MM INTERPRET GEOMETRIC TOLERANCING PER ANSI Y14.5 - 2009	APPR.		
3RD ANGLE PROJECTION [Symbol]	MATERIAL: SEE NOTES		
	FINISH: SEE NOTES		
	SIZE	CAGE CODE	
	B	8J168	

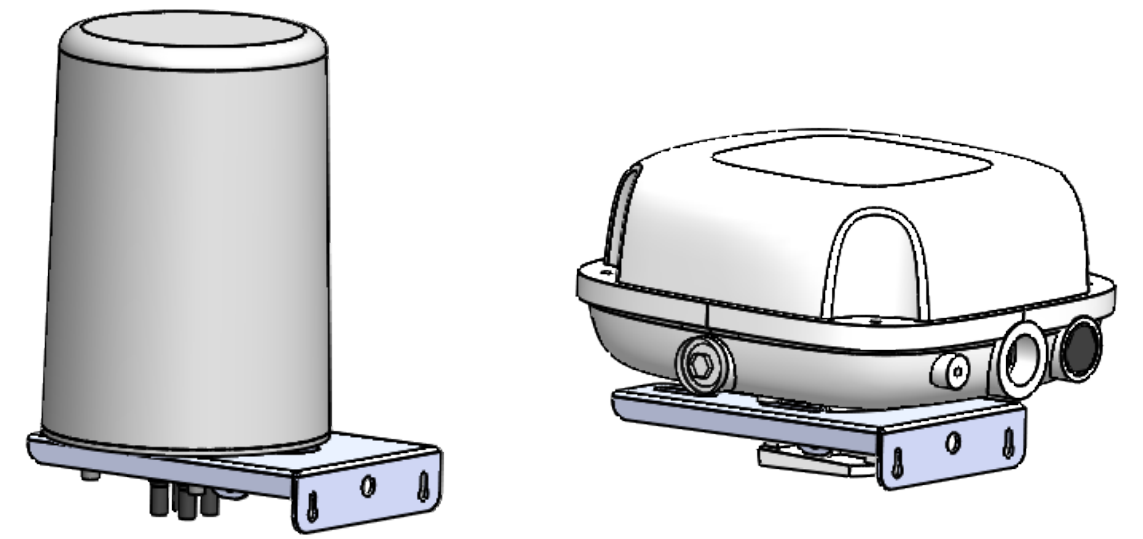
ventev
 A Division of Tessco Technologies Incorporated

TITLE:
Outdoor Mini Bollard (Green)

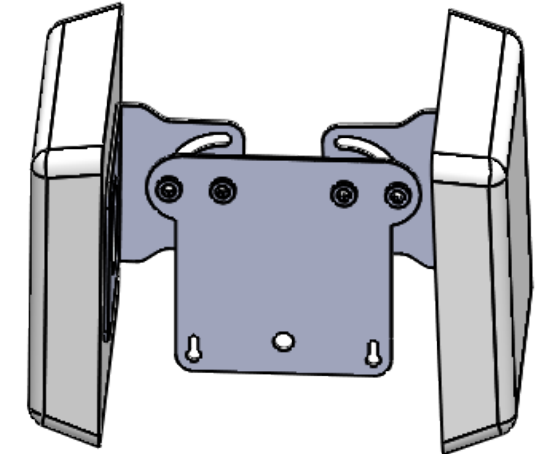
DWG. NO. VN183024	REV 0
DO NOT SCALE DRAWING	SCALE: 1:4
SHEET 2 OF 5	

8 7 6 5 4 3 2 1

OMNI ANTENNA BRACKET ACCOMODATES UP OMNI ANTENNA AND ARUBA AP-365



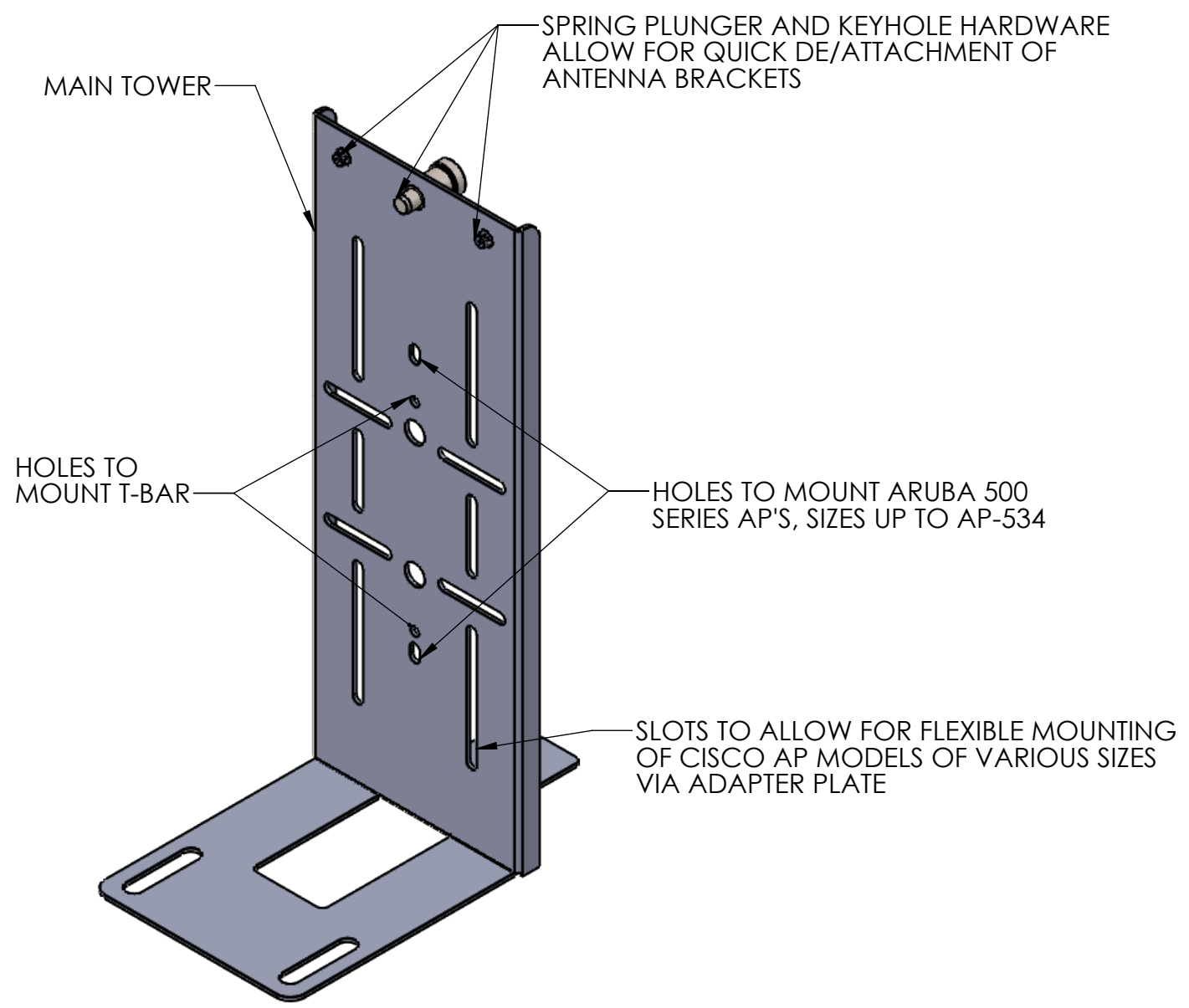
MICRO PATCH ANTENNA BRACKET ACCOMODATES UP TO TWO ANTENNAS



T-BAR ALLOWS FOR THE ATTACHMENT OF PREVIOUS GENERATION ARUBAS UP TO THE SIZE OF AP-344

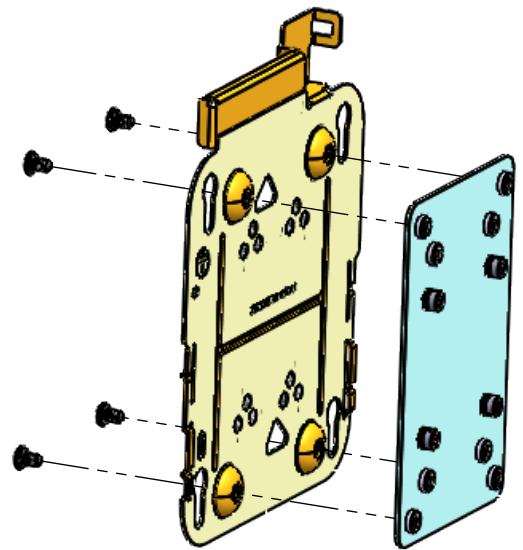


SKU:



D
C
B
A

D
C
B
A



ADAPTER PLATE ALLOWS FOR THE ATTACHMENT OF UNIVERSAL CISCO BRACKETS

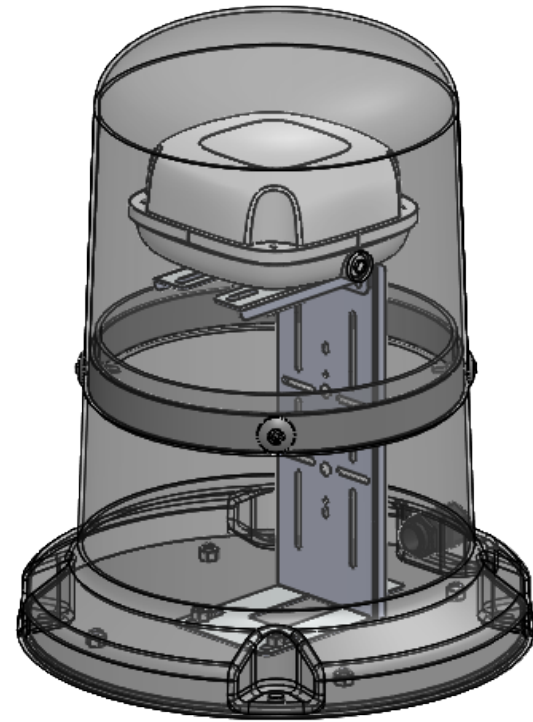
CONFIDENTIAL AND PROPRIETARY
 CONFIDENTIAL AND PROPRIETARY
 THE INFORMATION CONTAINED HEREIN
 IS THE CONFIDENTIAL AND THE
 EXCLUSIVE PROPERTY OF TESSCO
 TECHNOLOGIES INCORPORATED. THIS
 DOCUMENT, AND THE INFORMATION
 CONTAINED HEREIN, SHALL NOT BE
 COPIED, REPRODUCED, PUBLISHED,
 DISPLAYED OR DISTRIBUTED, IN WHOLE
 OR IN PART IN ANY MEDIUM, BY ANY
 MEANS, FOR ANY PURPOSE WITHOUT
 THE EXPRESS WRITTEN CONSENT OF
 TESSCO TECHNOLOGIES
 INCORPORATED.
 ©2010 TESSCO TECHNOLOGIES
 INCORPORATED
 ALL RIGHTS RESERVED

UNLESS OTHERWISE SPECIFIED:	DRAWN	Powells	Mar 4, 2020
TOLERANCES: ±.XX = ± ±.XXX = ± ±.XXXX = ± ±X.X° = ±°	RESP ENG		
CAD FEATURES ARE BASIC: DIMENSIONS ARE IN INCHES DIMENSIONS IN [] ARE IN MM INTERPRET GEOMETRIC TOLERANCING PER ANSI Y14.5 - 2009	APPR.		
3RD ANGLE PROJECTION	MATERIAL: SEE NOTES		
	FINISH: SEE NOTES		
	SIZE	CAGE CODE	
	B	8J168	

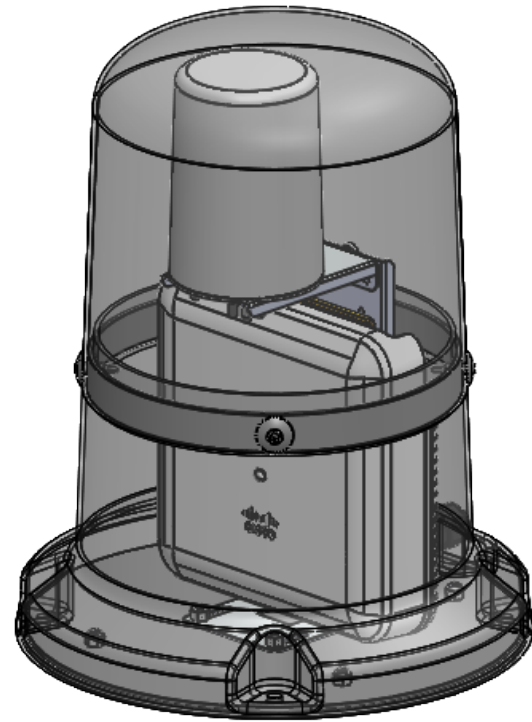
ventev [®]	
A Division of Tessco Technologies Incorporated	
TITLE: Outdoor Mini Bollard (Green)	
DWG. NO. VN183024	REV 0
DO NOT SCALE DRAWING	SCALE: 1:2
SHEET 3 OF 5	

8 7 6 5 4 3 2 1

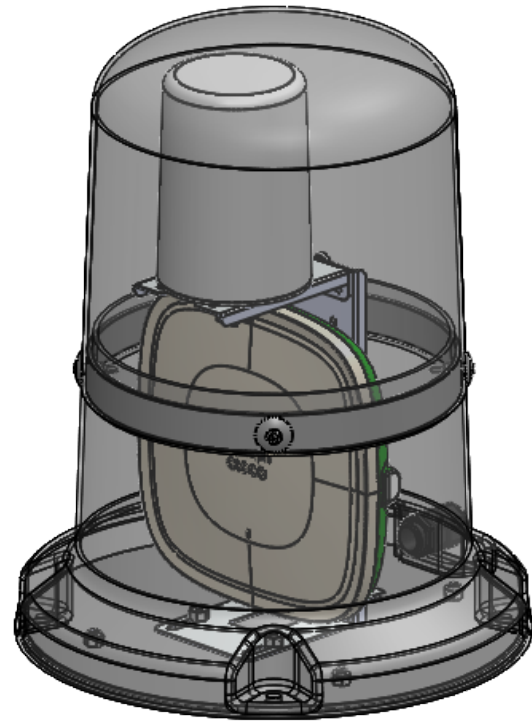
OMNI BRACKET CONFIGURATION



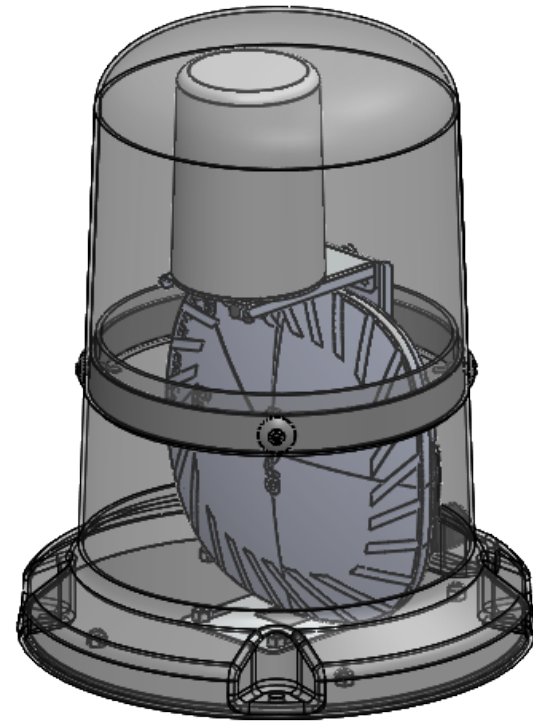
ARUBA AP-365



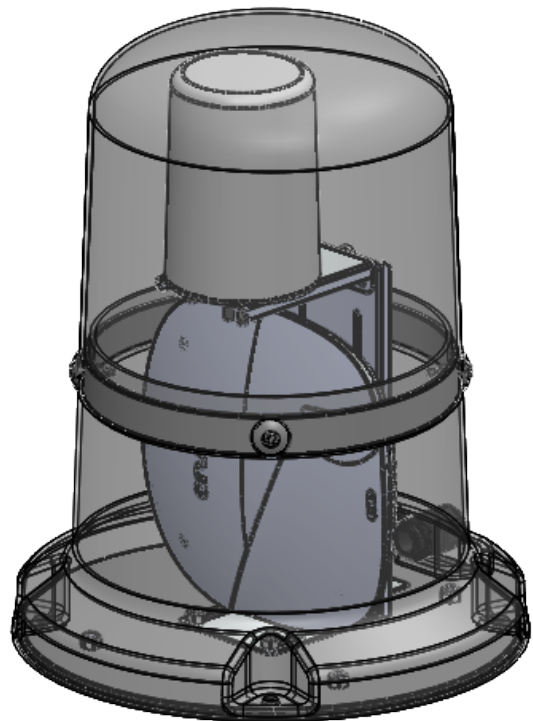
CISCO 3800E



CISCO 9120E




ARUBA AP-534



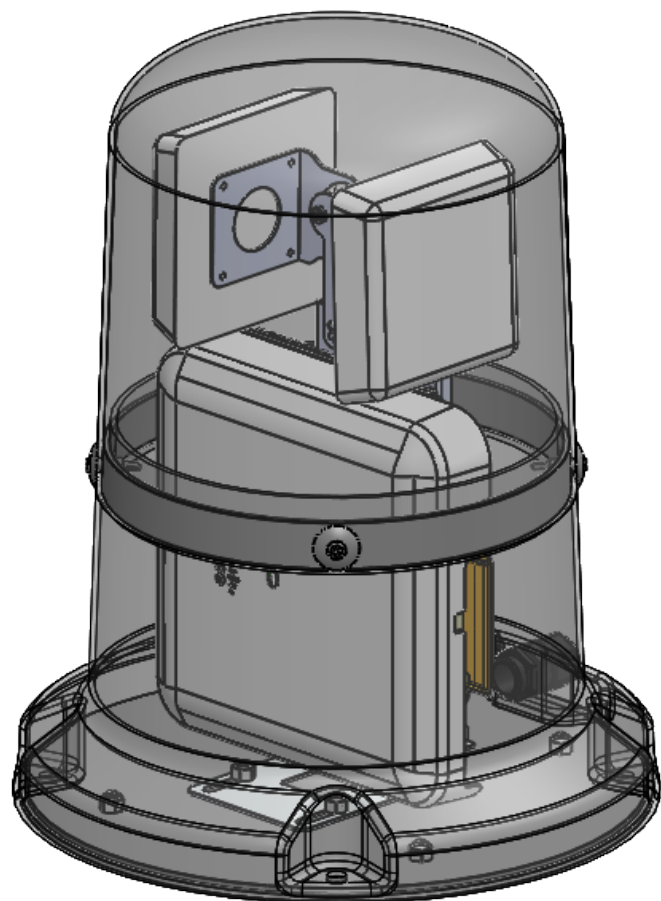
ARUBA AP-344

CONFIDENTIAL AND PROPRIETARY
 THE INFORMATION CONTAINED HEREIN IS THE CONFIDENTIAL AND THE EXCLUSIVE PROPERTY OF TESSCO TECHNOLOGIES INCORPORATED. THIS DOCUMENT, AND THE INFORMATION CONTAINED HEREIN, SHALL NOT BE COPIED, REPRODUCED, PUBLISHED, DISPLAYED OR DISTRIBUTED, IN WHOLE OR IN PART IN ANY MEDIUM, BY ANY MEANS, FOR ANY PURPOSE WITHOUT THE EXPRESS WRITTEN CONSENT OF TESSCO TECHNOLOGIES INCORPORATED.
 ©2010 TESSCO TECHNOLOGIES INCORPORATED
 ALL RIGHTS RESERVED

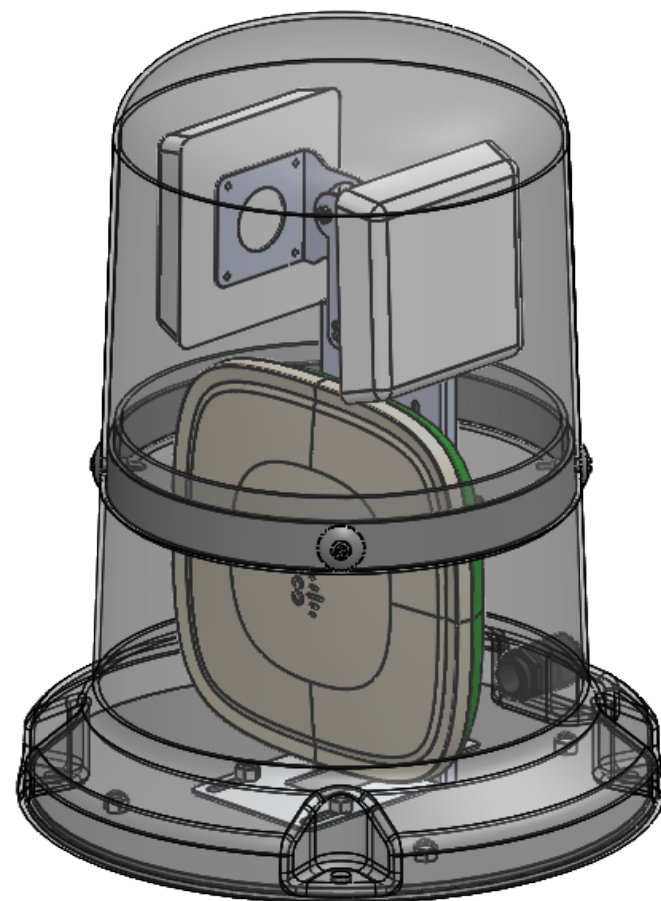
UNLESS OTHERWISE SPECIFIED:	DRAWN	Powells	Mar 4, 2020
TOLERANCES: ±.XX = ± ±.XXX = ± ±.XXXX = ± ±X.X° = ±°	RESP ENG		
CAD FEATURES ARE BASIC: DIMENSIONS ARE IN INCHES DIMENSIONS IN [] ARE IN MM INTERPRET GEOMETRIC TOLERANCING PER ANSI Y14.5 - 2009	APPR.		
3RD ANGLE PROJECTION	MATERIAL: SEE NOTES		
	FINISH: SEE NOTES		
	SIZE	CAGE CODE	
	B	8J168	

SKU:		
 A Division of Tessco Technologies Incorporated		
TITLE: Outdoor Mini Bollard (Green)		
DWG. NO. VN183024	REV 0	
DO NOT SCALE DRAWING	SCALE: 1:5	SHEET 4 OF 5

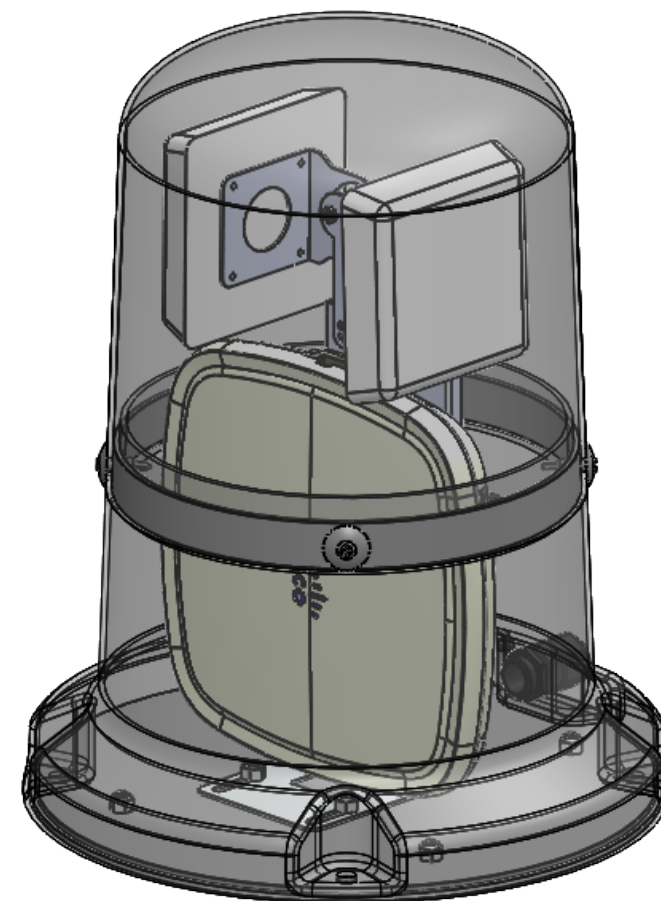
DOUBLE PATCH ANTENNA CONFIGURATION WHEN USED WITH CISCO AP'S WITH DART CONNECTOR



CISCO 3800E



CISCO 9120E



CISCO 9130E

SKU:

CONFIDENTIAL AND PROPRIETARY
 THE INFORMATION CONTAINED HEREIN IS THE CONFIDENTIAL AND THE EXCLUSIVE PROPERTY OF TESSCO TECHNOLOGIES INCORPORATED. THIS DOCUMENT, AND THE INFORMATION CONTAINED HEREIN, SHALL NOT BE COPIED, REPRODUCED, PUBLISHED, DISPLAYED OR DISTRIBUTED, IN WHOLE OR IN PART IN ANY MEDIUM, BY ANY MEANS, FOR ANY PURPOSE WITHOUT THE EXPRESS WRITTEN CONSENT OF TESSCO TECHNOLOGIES INCORPORATED.
 ©2010 TESSCO TECHNOLOGIES INCORPORATED
 ALL RIGHTS RESERVED

UNLESS OTHERWISE SPECIFIED:		DRAWN	Powells	Mar 4, 2020
TOLERANCES: ±.XX = ± ±.XXX = ± ±.XXXX = ± ±X.X° = ±°		RESP ENG		
CAD FEATURES ARE BASIC: [Symbol] .005 [A] [B] [C]		APPR.		
DIMENSIONS ARE IN INCHES DIMENSIONS IN [] ARE IN MM INTERPRET GEOMETRIC TOLERANCING PER ANSI Y14.5 - 2009		APPR.		
3RD ANGLE PROJECTION [Symbol]		MATERIAL: SEE NOTES		
		FINISH: SEE NOTES		
SIZE	CAGE CODE	DWG. NO.		
B	8J168	VN183024		
		DO NOT SCALE DRAWING		SCALE: 1:4
		SHEET 5 OF 5		

ventev
 A Division of Tessco Technologies Incorporated

TITLE:
Outdoor Mini Bollard (Green)

DWG. NO. VN183024	REV 0
-----------------------------	-----------------