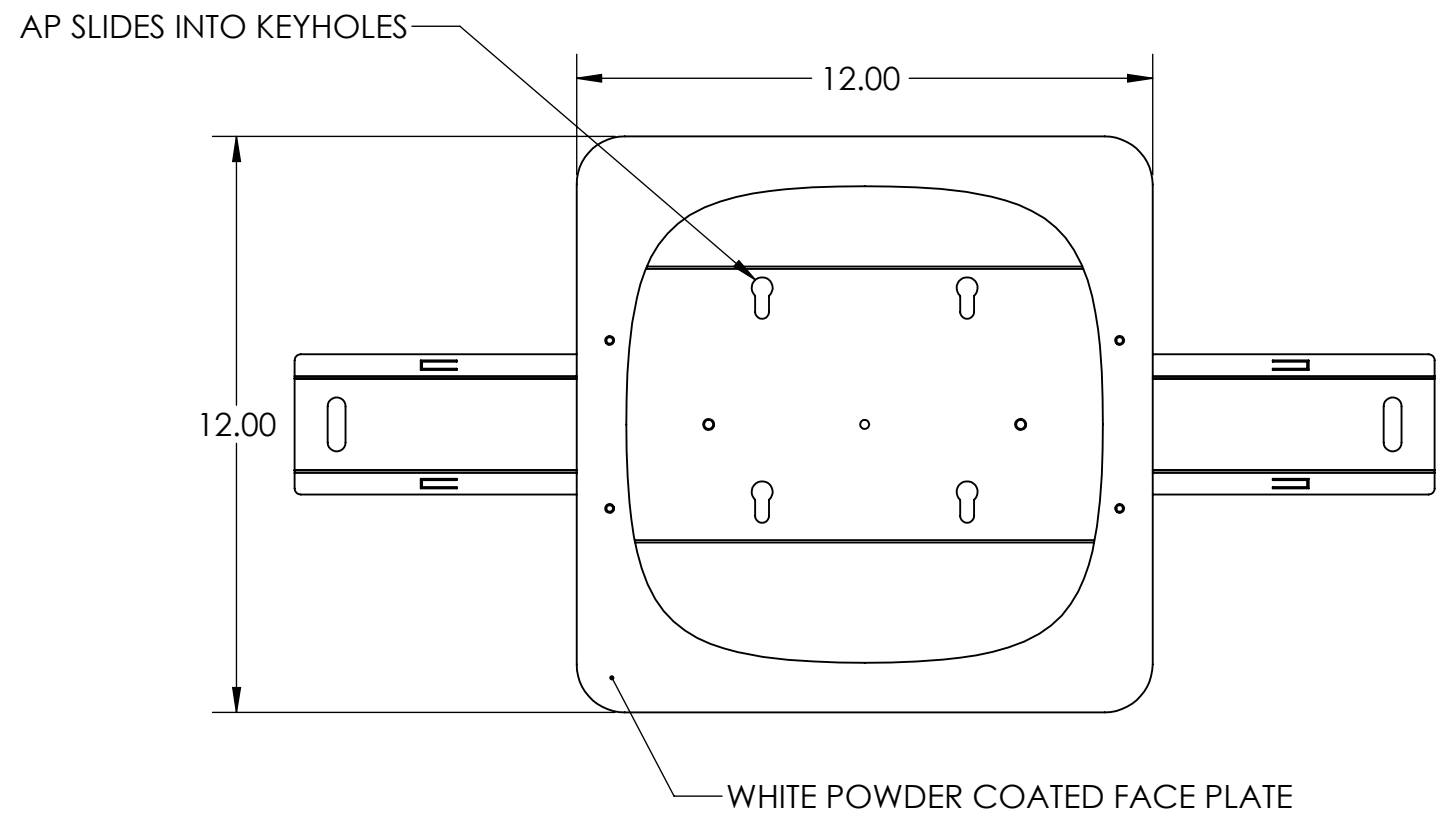
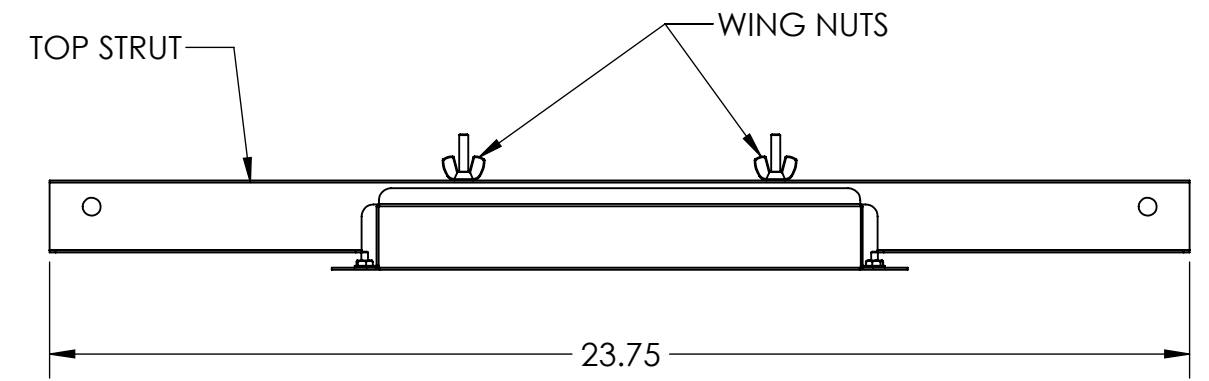
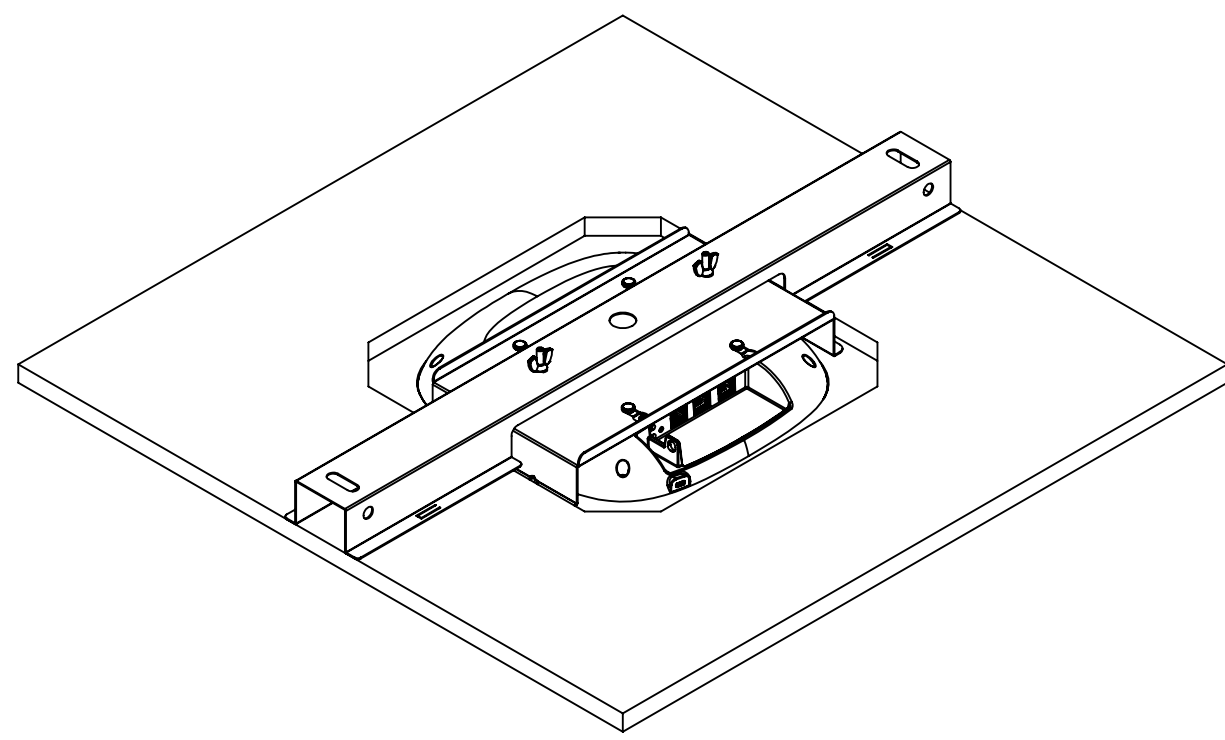
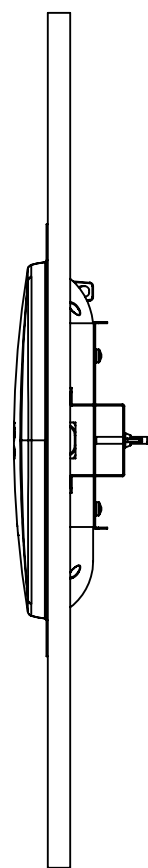
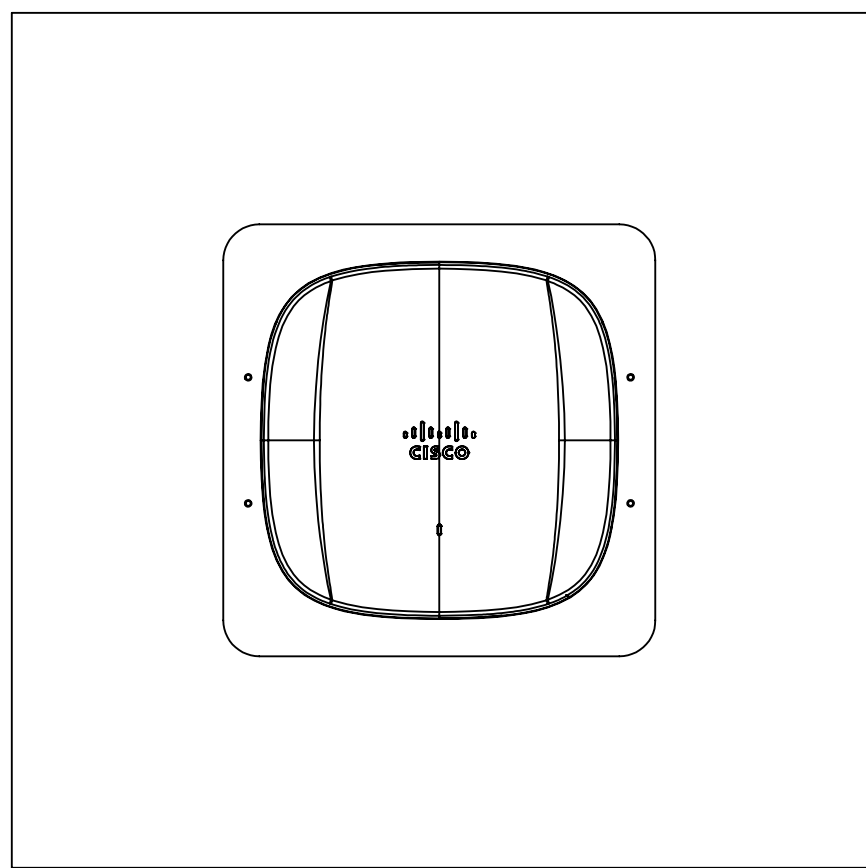
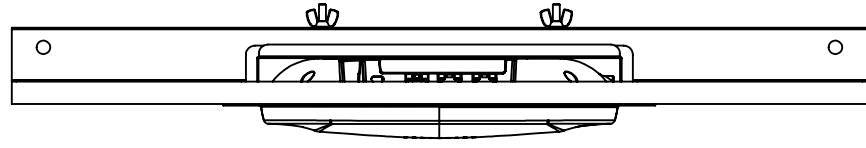


INSTALLED IN 24" X 24" DROP CEILING TILE



SKU:



A Division of Tessco Technologies Incorporated

TITLE:  
**CISCO 9136 CEILING TILE BRACKET FULL ASSY**

DWG. NO.  
**VN184978**

REV  
**0**

DO NOT SCALE DRAWING SCALE: 1:4 SHEET 1 OF 1

UNLESS OTHERWISE SPECIFIED:	DRAWN	Powells	Apr 28, 2022
TOLERANCES: ±.XX = ± ±.XXX = ± ±.XXXX = ± ±X.X° = ±°	RESP ENG		
CAD FEATURES ARE BASIC: [Symbol] .005 [A] [B] [C]	APPR.		
DIMENSIONS ARE IN INCHES DIMENSIONS IN [ ] ARE IN MM INTERPRET GEOMETRIC TOLERANCING PER ANSI Y14.5 - 2009	MATERIAL: SEE NOTES		
3RD ANGLE PROJECTION [Symbol]	FINISH: SEE NOTES		
	SIZE	CAGE CODE	
	B	8J168	

CONFIDENTIAL AND PROPRIETARY  
THE INFORMATION CONTAINED HEREIN IS THE CONFIDENTIAL AND THE EXCLUSIVE PROPERTY OF TESSCO TECHNOLOGIES INCORPORATED. THIS DOCUMENT, AND THE INFORMATION CONTAINED HEREIN, SHALL NOT BE COPIED, REPRODUCED, PUBLISHED, DISPLAYED OR DISTRIBUTED, IN WHOLE OR IN PART IN ANY MEDIUM, BY ANY MEANS, FOR ANY PURPOSE WITHOUT THE EXPRESS WRITTEN CONSENT OF TESSCO TECHNOLOGIES INCORPORATED.  
©2010 TESSCO TECHNOLOGIES INCORPORATED  
ALL RIGHTS RESERVED