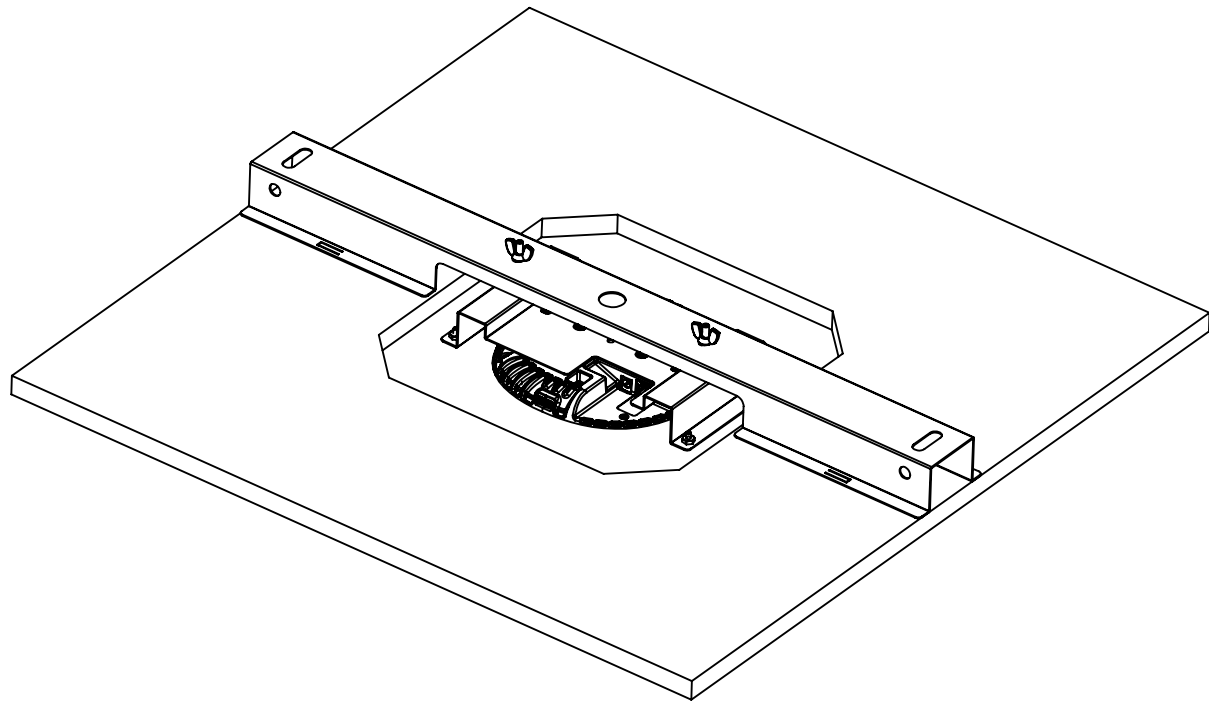
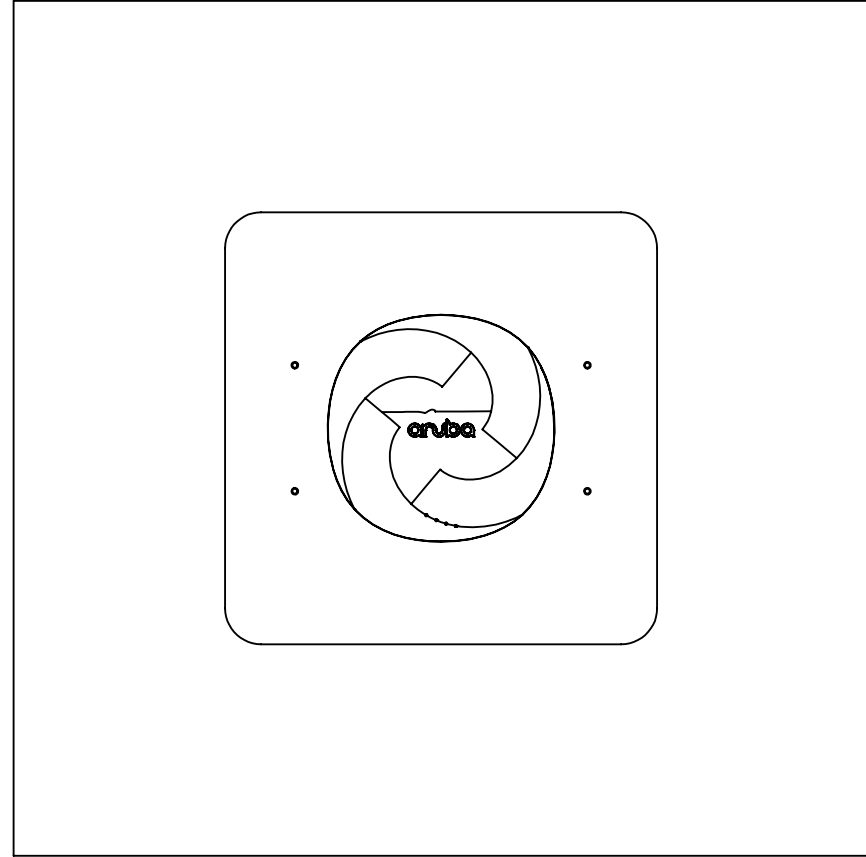
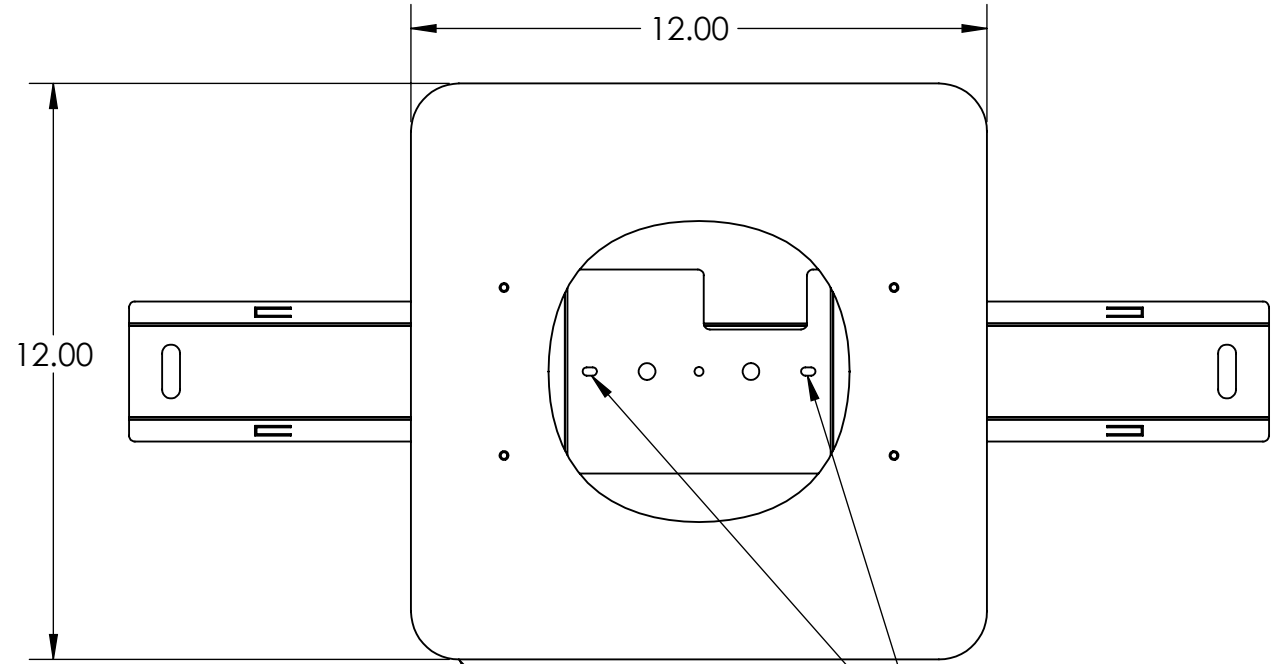
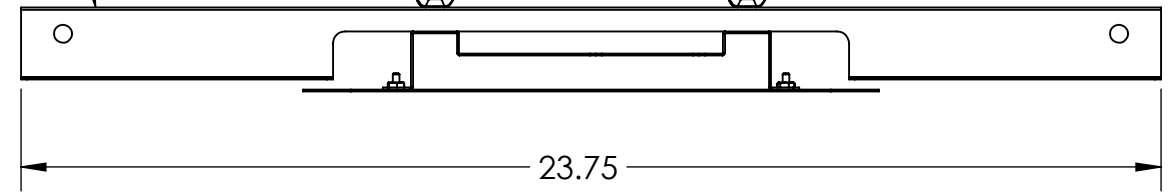


INSTALLED IN 24"X24" DROP CEILING TILE



TOP STRUT

WING NUTS



AP ATTACHES VIA QTY (2) SCREWS INCLUDED WITH AP

WHITE POWDER COATED FACE PLATE

SKU:

CONFIDENTIAL AND PROPRIETARY
 CONFIDENTIAL AND PROPRIETARY
 THE INFORMATION CONTAINED HEREIN
 IS THE CONFIDENTIAL AND THE
 EXCLUSIVE PROPERTY OF TESSCO
 TECHNOLOGIES INCORPORATED. THIS
 DOCUMENT, AND THE INFORMATION
 CONTAINED HEREIN, SHALL NOT BE
 COPIED, REPRODUCED, PUBLISHED,
 DISPLAYED OR DISTRIBUTED, IN WHOLE
 OR IN PART IN ANY MEDIUM, BY ANY
 MEANS, FOR ANY PURPOSE WITHOUT
 THE EXPRESS WRITTEN CONSENT OF
 TESSCO TECHNOLOGIES
 INCORPORATED.
 ©2010 TESSCO TECHNOLOGIES
 INCORPORATED
 ALL RIGHTS RESERVED

UNLESS OTHERWISE SPECIFIED:	DRAWN	Powells	May 24, 2022
TOLERANCES: ±.XX = ± ±.XXX = ± ±.XXXX = ± ±X.X° = ±°	RESP ENG		
CAD FEATURES ARE BASIC: [Symbol] .005 [A] [B] [C]	APPR.		
DIMENSIONS ARE IN INCHES DIMENSIONS IN [] ARE IN MM	APPR.		
INTERPRET GEOMETRIC TOLERANCING PER ANSI Y14.5 - 2009	MATERIAL:	5052 ALUMINUM	
3RD ANGLE PROJECTION [Symbol]	FINISH:	WHITE POWDER COAT	
	SIZE	CAGE CODE	
	B	8J168	



A Division of Tessco Technologies Incorporated

TITLE:
**ARUBA AP-615 CEILING TILE
 BRACKET ASSY**

DWG. NO.
VN185017

REV
0

DO NOT SCALE DRAWING SCALE: 1:4 SHEET 1 OF 1