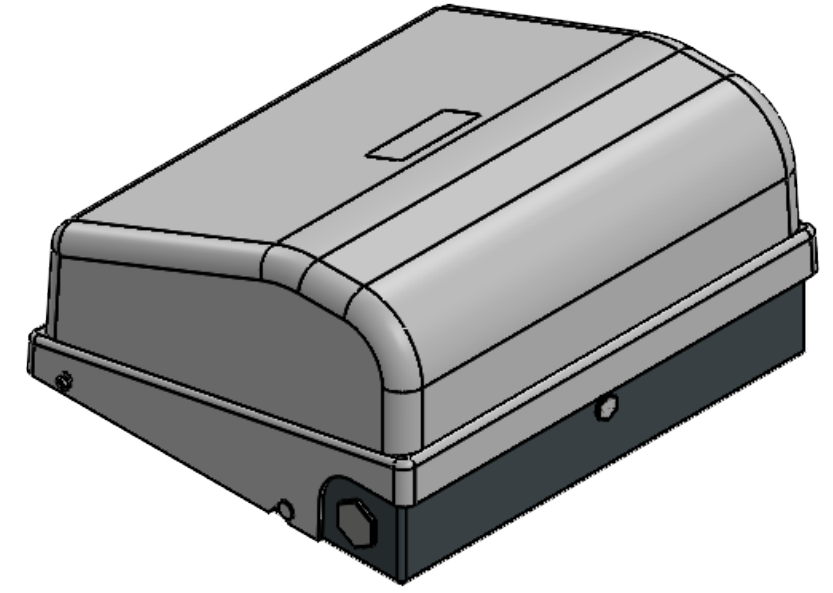
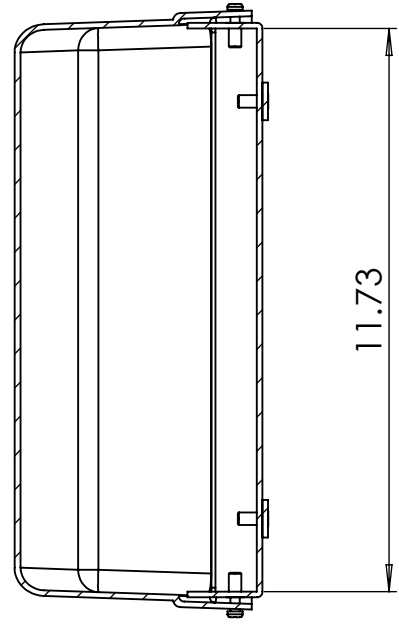
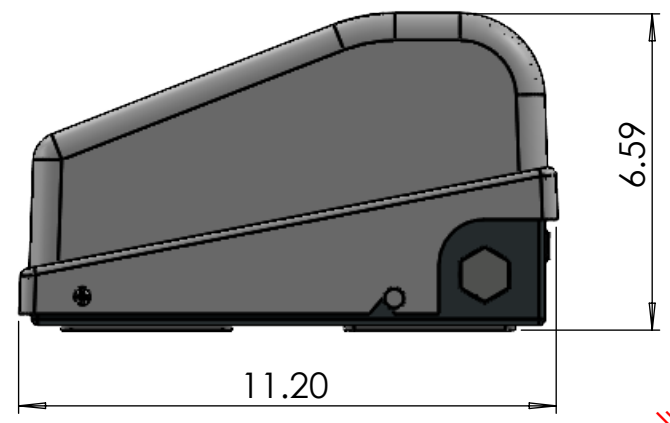
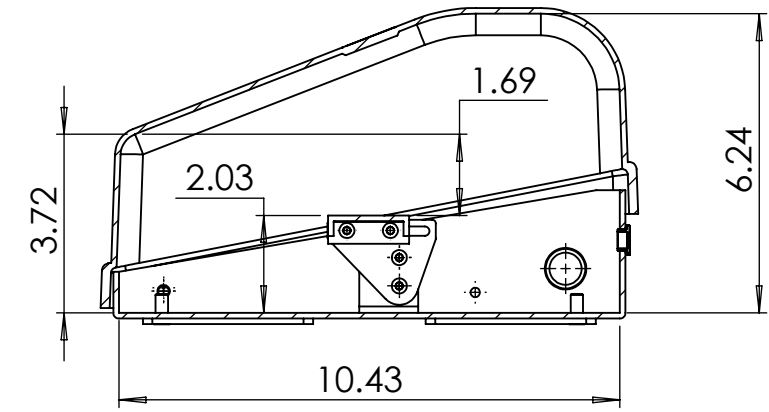


SECTION B-B




SECTION A-A



JUL 02, 2024

CONFIDENTIAL AND PROPRIETARY
 CONFIDENTIAL AND PROPRIETARY
 THE INFORMATION CONTAINED HEREIN
 IS THE CONFIDENTIAL AND THE
 EXCLUSIVE PROPERTY OF TESCO
 TECHNOLOGIES INCORPORATED. THIS
 DOCUMENT, AND THE INFORMATION
 CONTAINED HEREIN, SHALL NOT BE
 COPIED, REPRODUCED, PUBLISHED,
 DISPLAYED OR DISTRIBUTED, IN WHOLE
 OR IN PART IN ANY MEDIUM, BY ANY
 MEANS, FOR ANY PURPOSE WITHOUT
 THE EXPRESS WRITTEN CONSENT OF
 TESCO TECHNOLOGIES
 INCORPORATED.
 ©2010 TESCO TECHNOLOGIES
 INCORPORATED
 ALL RIGHTS RESERVED

UNLESS OTHERWISE SPECIFIED:	DRAWN	Powells	Jul 02, 2024
TOLERANCES: ±.XX = ±.01 ±.XXX = ±.005 ±.XXXX = ±.0001 ±X.X° = ±1.0	RESP ENG		
CAD FEATURES ARE BASIC: [Symbol] .005 [A] [B] [C]	APPR.		
DIMENSIONS ARE IN INCHES DIMENSIONS IN [] ARE IN MM	APPR.		
INTERPRET GEOMETRIC TOLERANCING PER ANSI Y14.5 - 2009	MATERIAL: SEE NOTES		
3RD ANGLE PROJECTION [Symbol]	FINISH: SEE NOTES		
	SIZE	CAGE CODE	
	B	8J168	

SKU:	
 A Division of Tessco Technologies Incorporated	
TITLE: WEDGE ENCLOSURE	
DWG. NO. VN186002	REV 0
DO NOT SCALE DRAWING	SCALE: 1:4 SHEET 1 OF 1