

Broadband 2x2 Hybrid Coupler 600-2700 MHz, -161dBc PIM



- ❖ Broadband design covering 600-2700MHz
- ❖ Supports Public Safety bands in 700/800/900
- ❖ Highly reliable design with low insertion loss, low VSWR and high isolations
- ❖ 300W Power Rating and ultra-low PIM (-161dBc)
- ❖ Compact form-factor
- ❖ Suitable for indoor and outdoor applications (IP65)

For more information or to purchase, contact Ventev: 800.851.4965 or sales@ventev.com.

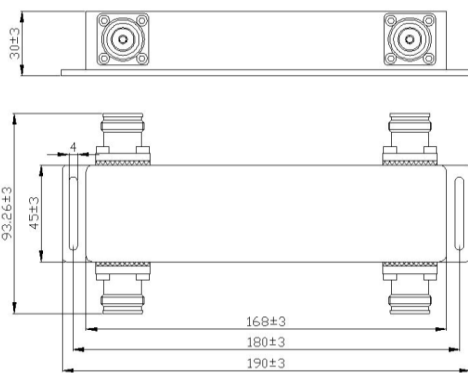
Connector	Ventev Part Number
N-type Female	VEN-22HC-627-NF
4.3-10 Female	VEN-22HC-627-4F

Electrical Specifications	
Frequency	600 – 2700MHz
Coupling (dB)	3.0 ± 0.5
Insertion Loss (dB)	≤ 0.5
Isolation (dB)	≥ 25
VSWR	≤ 1.25
3rd Order PIM (dBc)	≤ -161dBc @ 2x 43dBm Carrier
Power Rating (W)	300W
Impedance (Ω)	50 Ω
Connectors	N-type Female or 4.3-10 Female

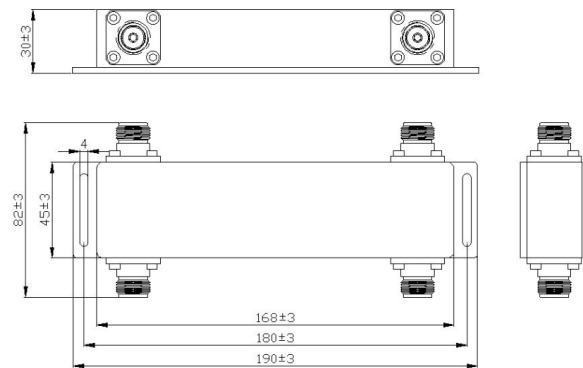
Mechanical Specifications	
Dimensions (w/o connectors)	168 x 45 x 30mm
Product Weight	1.8Lbs
Body and Color	Aluminum, Black
Mounting	Using Mounting Tabs

Environmental Specifications	
Operating Temperature	-40 °C to +85 °C
Operating Humidity	Up to 95%
Ingress Protection	IP65
Application	Indoor and Outdoor

Outline Drawing



N-Female



4.3-10 Female