
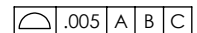
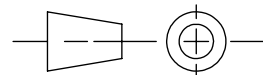
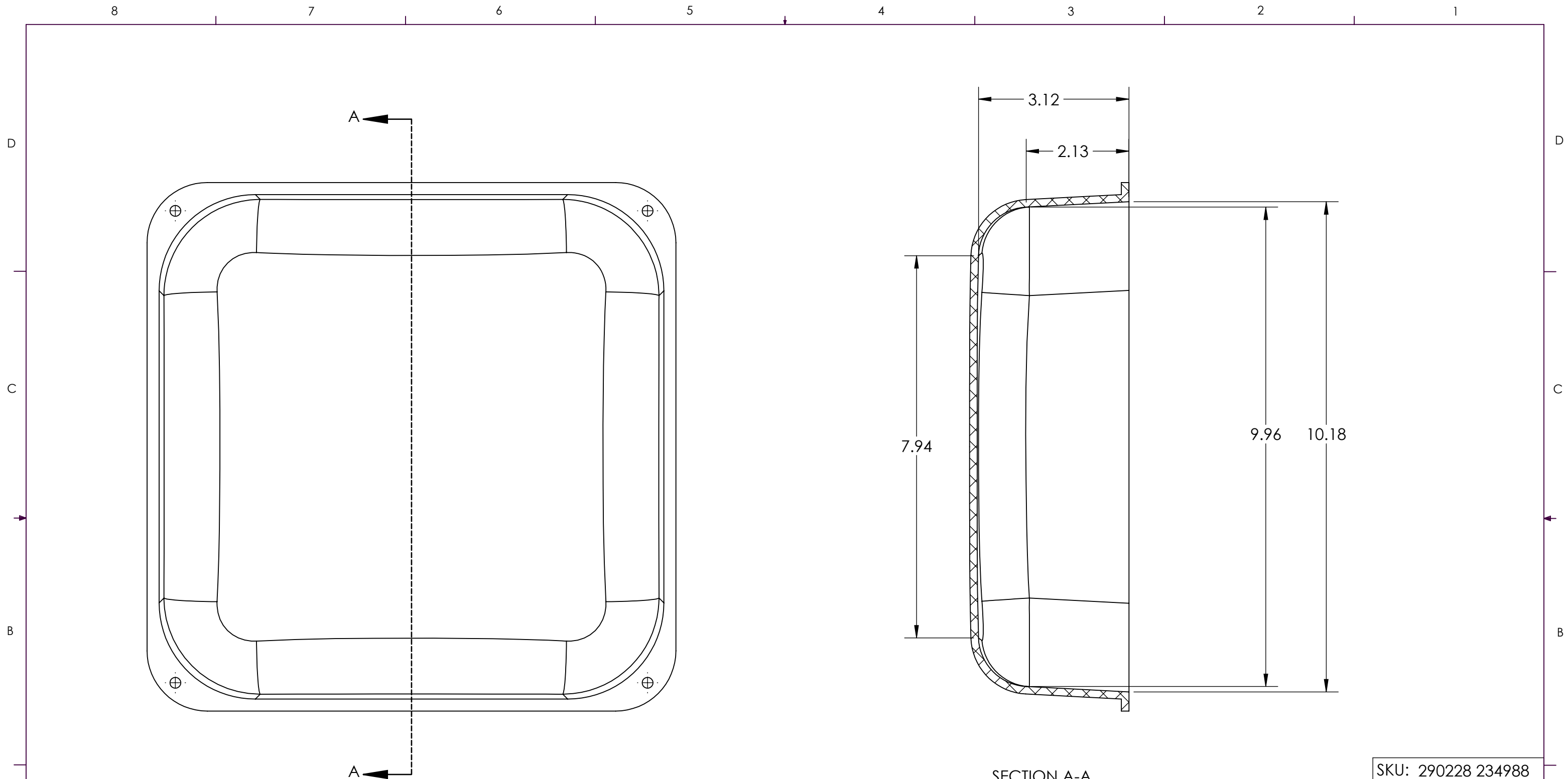


SKU: 290228 234988


CONFIDENTIAL AND PROPRIETARY
 THE INFORMATION CONTAINED HEREIN IS THE CONFIDENTIAL AND THE EXCLUSIVE PROPERTY OF TESCO TECHNOLOGIES INCORPORATED. THIS DOCUMENT, AND THE INFORMATION CONTAINED HEREIN, SHALL NOT BE COPIED, REPRODUCED, PUBLISHED, DISPLAYED OR DISTRIBUTED, IN WHOLE OR IN PART IN ANY MEDIUM, BY ANY MEANS, FOR ANY PURPOSE WITHOUT THE EXPRESS WRITTEN CONSENT OF TESCO TECHNOLOGIES INCORPORATED.
 ©2010 TESCO TECHNOLOGIES INCORPORATED
 ALL RIGHTS RESERVED

UNLESS OTHERWISE SPECIFIED:		DRAWN	POWELL	Dec 10, 2018	 Connect, Protect, and Enable™	
TOLERANCES: $\pm .XX = \pm .01$ $\pm .XXX = \pm .005$ $\pm .XXXX = \pm .0001$ $\pm X.X^\circ = \pm 1.0$		RESP ENG				
CAD FEATURES ARE BASIC:  .005 A B C DIMENSIONS ARE IN INCHES DIMENSIONS IN [] ARE IN MM INTERPRET GEOMETRIC TOLERANCING PER ANSI Y14.5 - 2009		APPR.				
3RD ANGLE PROJECTION 		MATERIAL: POLYPROPYLENE	FINISH: SEE NOTES		TITLE: XL Access Point Cover	
		SIZE B	CAGE CODE 8J168	DWG. NO. VN180060		REV 1
		DO NOT SCALE DRAWING		SCALE: 1:4	SHEET 1 OF 2	



SKU: 290228 234988

SECTION A-A

UNLESS OTHERWISE SPECIFIED:		DRAWN	POWELL	Dec 10, 2018
TOLERANCES: ±.XX = ±.01 ±.XXX = ±.005 ±.XXXX = ±.0001 ±X.X° = ±1.0		RESP ENG		
CAD FEATURES ARE BASIC: [Symbol] .005 [A] [B] [C]		APPR.		
DIMENSIONS ARE IN INCHES DIMENSIONS IN [] ARE IN MM INTERPRET GEOMETRIC TOLERANCING PER ANSI Y14.5 - 2009		APPR.		
3RD ANGLE PROJECTION [Symbol]		MATERIAL: POLYPROPYLENE		 Connect, Protect, and Enable™
		FINISH: SEE NOTES		
		SIZE	CAGE CODE	TITLE:
		B	8J168	XL Access Point Cover
		DWG. NO.		REV
		VN180060		1
		DO NOT SCALE DRAWING		SCALE: 1:2
				SHEET 2 OF 2

CONFIDENTIAL AND PROPRIETARY
 THE INFORMATION CONTAINED HEREIN IS THE CONFIDENTIAL AND THE EXCLUSIVE PROPERTY OF TESSCO TECHNOLOGIES INCORPORATED. THIS DOCUMENT, AND THE INFORMATION CONTAINED HEREIN, SHALL NOT BE COPIED, REPRODUCED, PUBLISHED, DISPLAYED OR DISTRIBUTED, IN WHOLE OR IN PART IN ANY MEDIUM, BY ANY MEANS, FOR ANY PURPOSE WITHOUT THE EXPRESS WRITTEN CONSENT OF TESSCO TECHNOLOGIES INCORPORATED.
 ©2010 TESSCO TECHNOLOGIES INCORPORATED
 ALL RIGHTS RESERVED