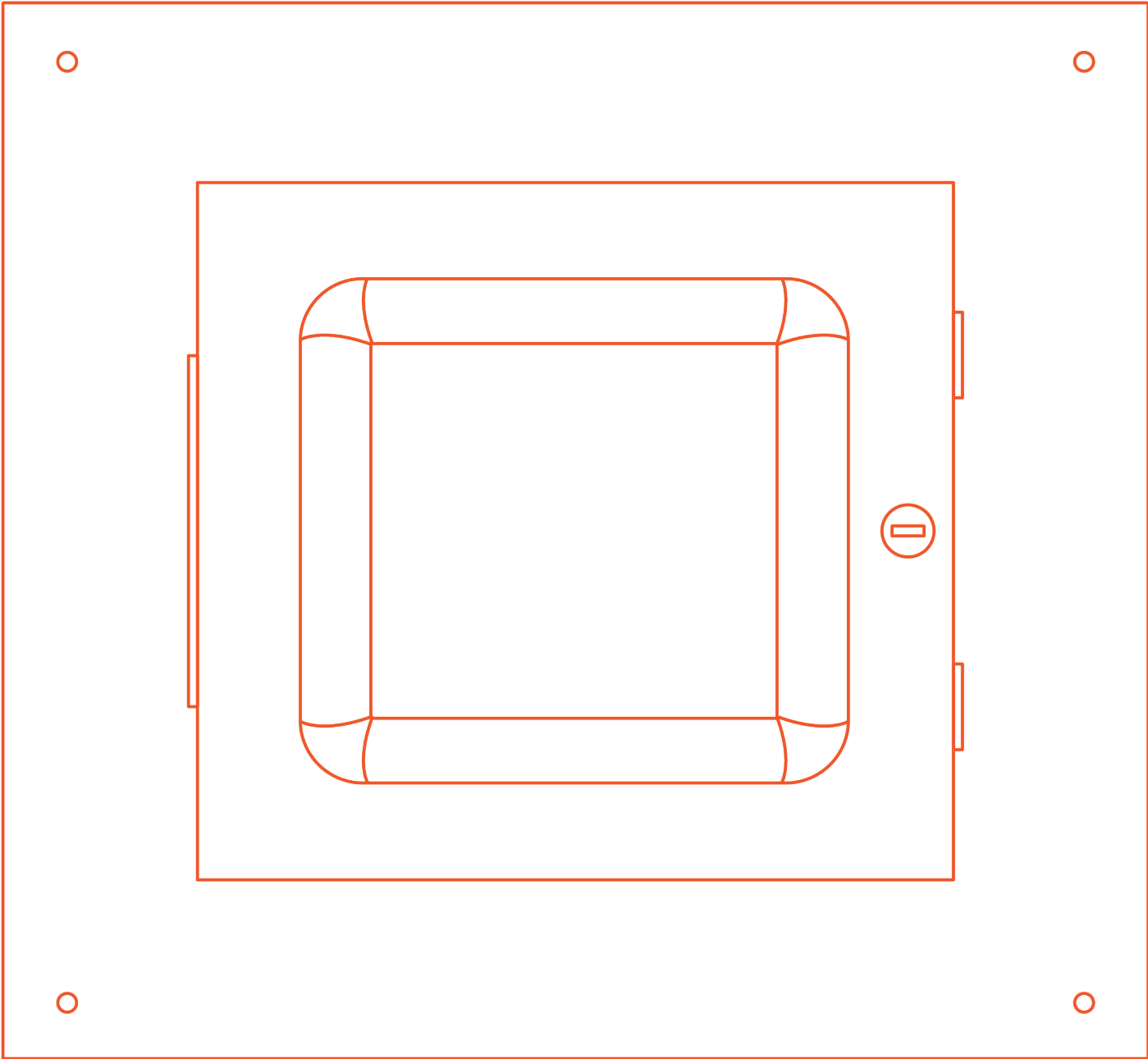


Installation Manual

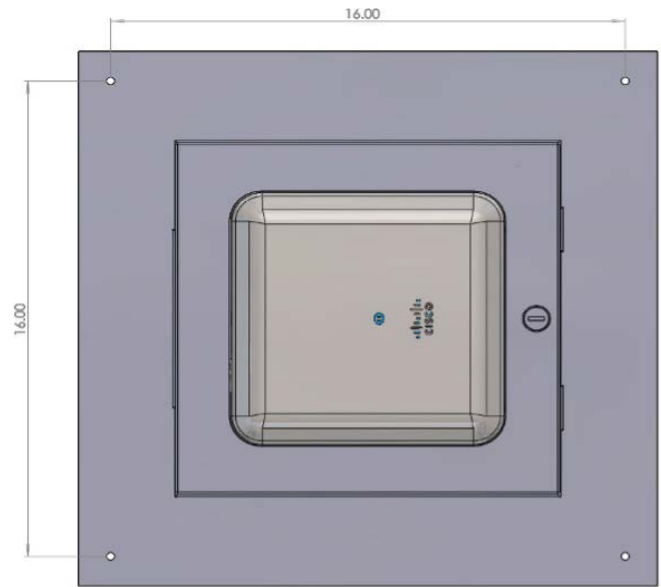
# Hard Lid Ceiling Enclosure



# Ventev Hard Lid Ceiling Enclosure Instructions

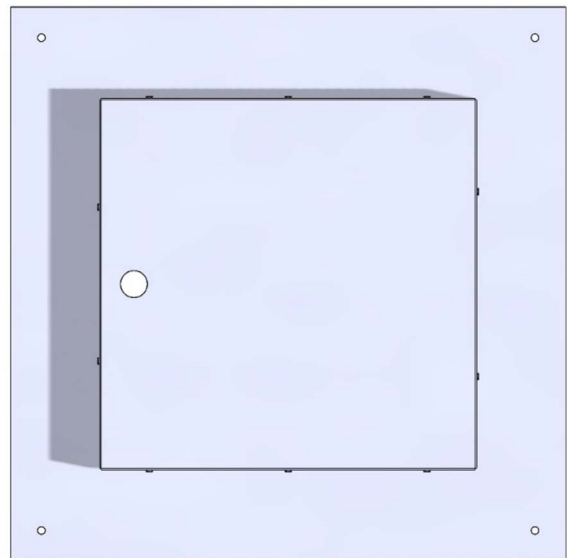
## Step 1

The enclosure comes with four ¼ in. holes spaced on 16 in. centers as shown. It is recommended to center the holes with studs in the ceiling. Access Point (AP) not included.



## Step 2

A 14 x 14 in. square hole is required to be cut into the ceiling to allow the enclosure to be recessed into the ceiling.



*Enclosure Base*

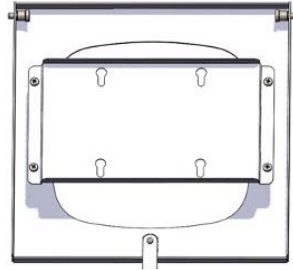
## Step 3

Slide the enclosure into the hole and secure to the ceiling with the appropriate hardware for the type of installation you are encountering. For studs, use #12 x 1.5 in. wood screws. If mounting to other materials use the correct wall anchors to support the enclosure plus the weight of the AP of approximately 5 lbs.

## Cisco Access Point Instructions

### Step 4

Remove the door from the ceiling tile assembly by pulling the heads of the two spring pins that act as the door hinge.

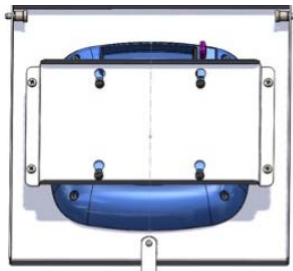


### Step 5

Remove the four screws or nuts that hold the AP Mounting Bracket to the door.

### Step 6

Place AP in door from the front side. Slide the cross bar onto the AP mounting feet from the back side.



### Step 7

Attach the cross bar to the door with four screws or nuts.

### Step 8

Run the RJ 45 cable into the large hole in the tray of the enclosure and secure the wire with the romex connector.

### Step 9

Attach door assembly to installed base in the ceiling and attach RJ45 cable to AP.

### Step 10

Close the door and lock.

## Aruba Access Point Instructions (500 Series and Newer)

### Step 4

Remove the door from the ceiling tile assembly by pulling the heads of the two spring pins that act as the door hinge.



### Step 5

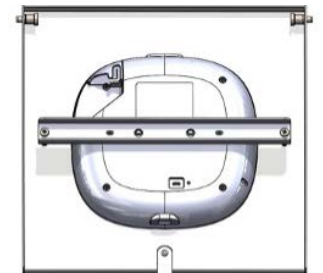
Remove the two screws that hold the AP cross bar to the door stand offs.

### Step 6

Remove the black factory mount from the AP and retain the two screws.

### Step 7

Place AP in door from the front side. Screw the cross bar onto the AP from the back side using the screws that were removed from the AP.



### Step 8

Attach the cross bar to the door with the two screws from step five.

### Step 9

Run the RJ 45 cable into the large hole in the tray of the enclosure and secure the wire with the romex connector.

### Step 10

Attach door assembly to installed base in the ceiling and attach RJ45 cable to AP.

### Step 11

Close the door and lock.



11126 McCormick Road,  
Hunt Valley, MD 21031  
800-851-4965  
sales@ventev.com

[ventevinfra.com](http://ventevinfra.com)

