

# 2.4/5 GHz 5/6 dBi Wi-Fi Omni Antenna

with 4 RPTNC Male Connectors

ventev®

Connect, Protect, and Enable™

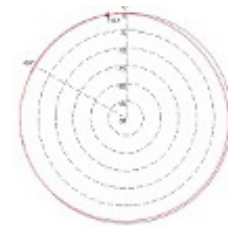
Ventev's small form factor Wi-Fi Omni antenna provides outstanding RF coverage in a small, attractive package. The antenna is designed to operate with modern enterprise class access points, and each of its four dual-band leads support both 2.4 and 5 GHz signals. The antenna's reduced size and clean appearance, combined with excellent performance and durability, make it ideal for warehouse and manufacturing deployments. Includes an L-Bracket for mast and or wall mounting.

## Specifications

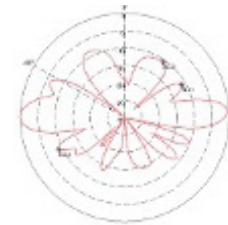
SKU	269258
Model Number	M6060060M1D43602C
Operating Frequency Range	2.4/5 GHz
Gain	5/6 dBi
Polarization	Vertical
Vertical Beamwidth	45°/20°
Horizontal Beamwidth	360°
VSWR	≤ 2.0 / ≤ 2.0
Nominal Impedance	50 Ohms
Max Input Power	10 W
Number of Ports	4
Length of Lead	36 in. RG58 Pigtails
RF Connector	RPTNC Male
Application	Indoor/Outdoor
Operating Temperature	-40° to 158°F
Dimensions	6 x 4 in.
Weight	3 lbs.
Construction	ABS Plastic
Radome	White



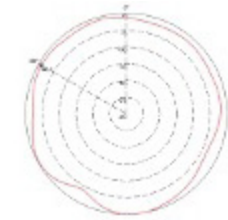
## Radiation Patterns



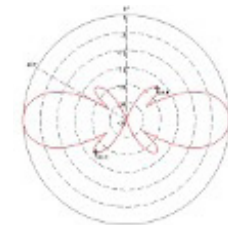
2.4GHz  
H Plane



2.4 GHz  
E Plane



5 GHz  
H Plane



5 GHz  
E Plane

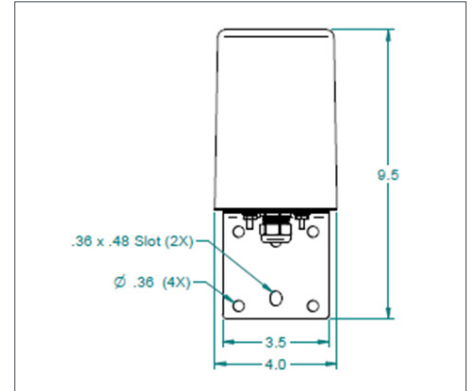
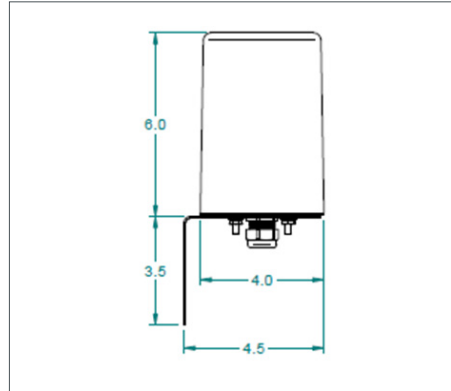
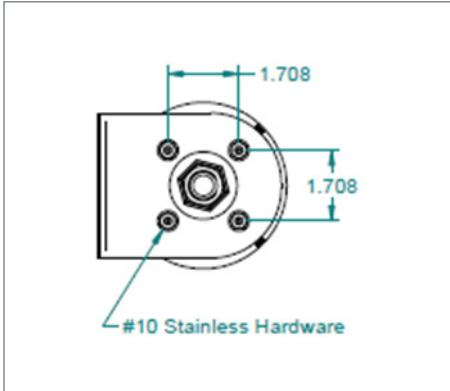


All product specifications are subject to change without notice or obligation.

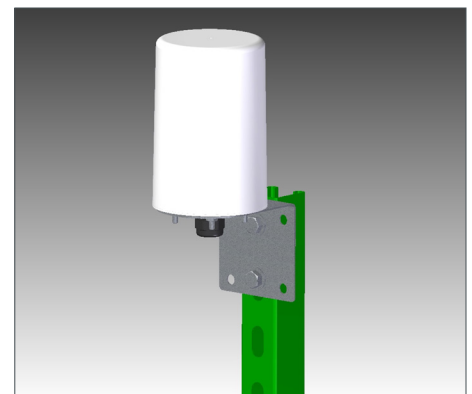
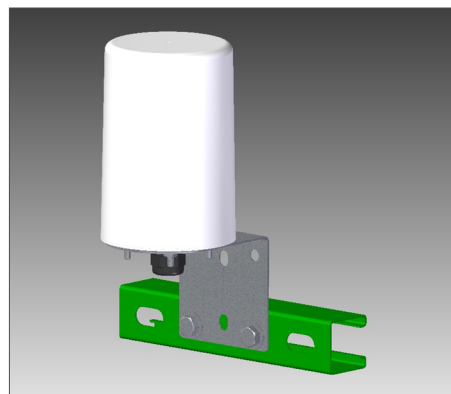
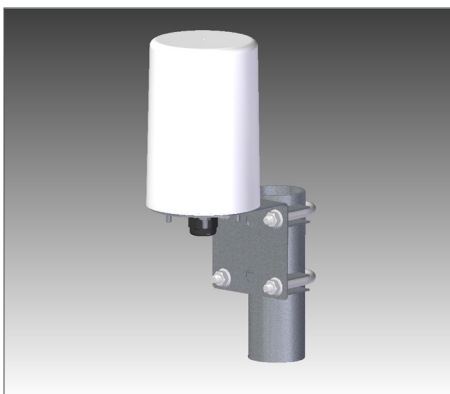
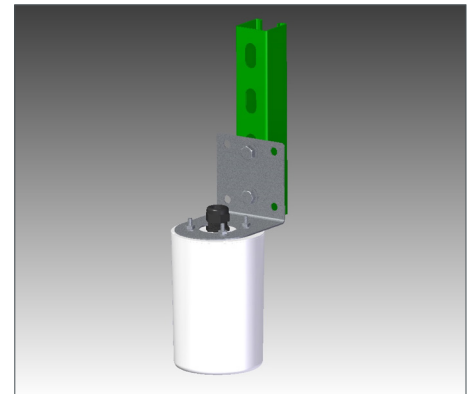
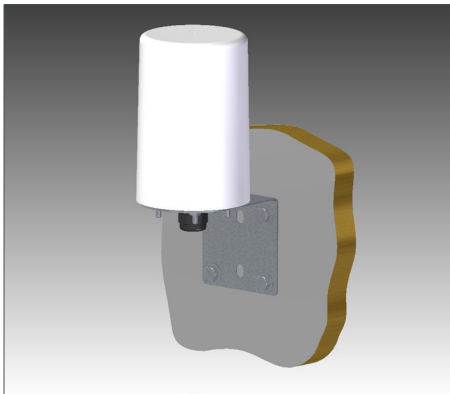
# 2.4/5 GHz 5/6 dBi Wi-Fi Omni Antenna

with 4 RPTNC Male Connectors

## Dimensions



## Mounting Options



All product specifications are subject to change without notice or obligation.