

2.4/5 GHz 6 dBi Wi-Fi Small Form Factor Omni

Antenna with 4 RA RPTNC Male Connectors

ventev®

Connect, Protect, and Enable™

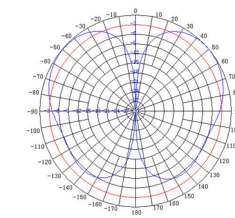
Ventev's 2.4/5 GHz 4/6 dBi antenna is designed to work with 4-Lead MIMO radios functioning in the 802.11n wireless protocol band. It features four dual-band antennas in a single unit, and each pigtail is 2.4 or 5 GHz. This solution allows engineers to simplify deployments by using only one antenna for dual band access points.

Specifications

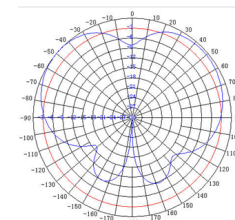
SKU	502943
Manufacturer Part Number	M604006002D3602R
Operating Frequency Range	2.4/5 GHz
Gain	4/6 dBi
Polarization	Vertical
Vertical Beamwidth	60°/70°
Horizontal Beamwidth	360°
VSWR	≤ 2.0/ ≤ 2.5
Nominal Impedance	50 Ohms
Max Input Power	2 W
Number of Ports	4
Length of Lead	36 in
RF Connector	RA RPTNC Male
Application	Indoor
Operating Temperature	-40° to 158° F
Dimensions	5.4 x 2.9 x 1 in
Weight	0.44 lb.
Bandwidth	100/700 MHz
Radome Color	White



Radiation Patterns



2.4 GHz
Vertical
Plane



5 GHz
Vertical
Plane

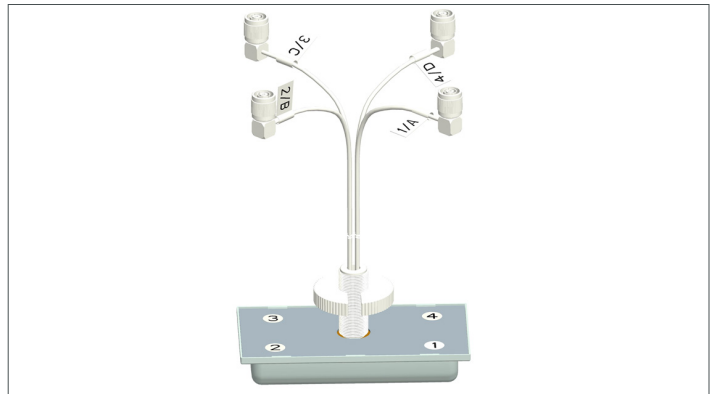
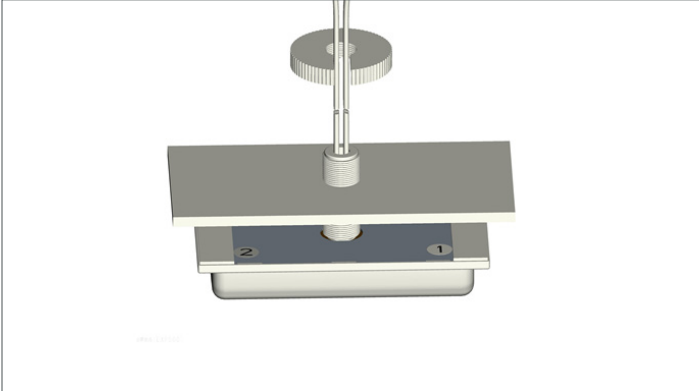


All product specifications are subject to change without notice or obligation.

2.4/5 GHz 6 dBi Wi-Fi Small Form Factor Omni

Antenna with 4 RA RPTNC Male Connectors

Mounting Options



All product specifications are subject to change without notice or obligation.