

2.4/5 GHz 6 dBi Wi-Fi MIMO Omnidirectional

Antenna with 3 RPSMA Male Connectors

ventev®

Connect, Protect, and Enable™

Terrawave by Ventev's 2.4/5 GHz Outdoor Omni Antenna is designed to operate with many manufacturers' enterprise-class access points (APs). This antenna features three dual band leads that operate in the 2.4 GHz and 5 GHz frequency. With an enclosure that is designed to withstand harsh environments this antenna can support demanding indoor or outdoor applications in next generation wireless communication systems. Includes 15 foot (LMR240) pigtailed terminated with RPSMA Male connectors.

Specifications

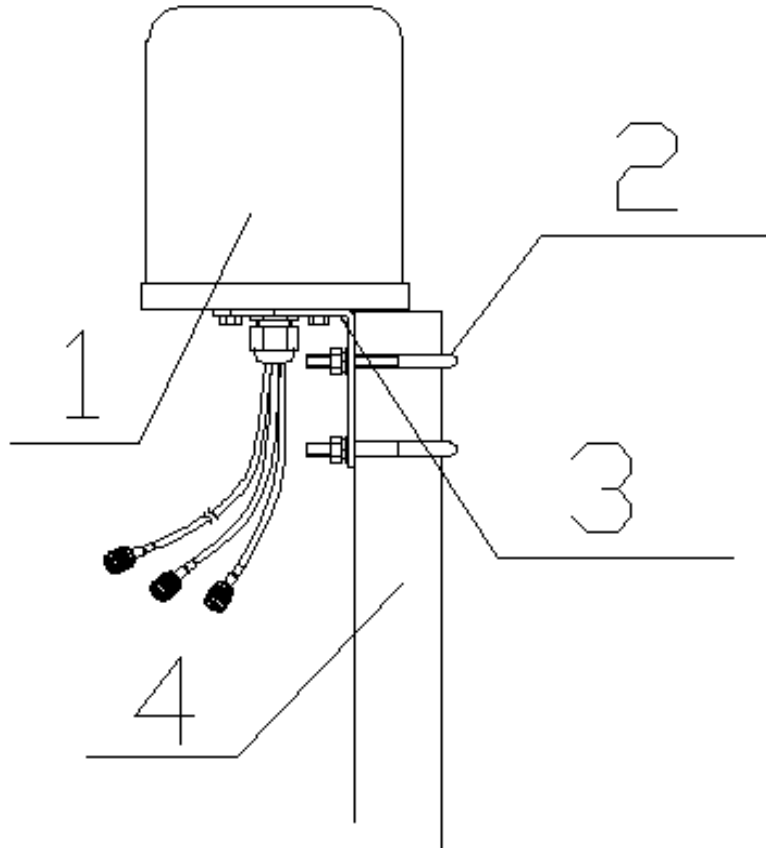
SKU	532752
Manufacturer Part Number	M6060060MO1D39920
Operating Frequency Range	2.4/5 GHz
Gain	6 dBi
Polarization	Vertical
Vertical Beamwidth	30°/20°
Horizontal Beamwidth	360°
VSWR	≤ 2.0
Nominal Impedance	50 Ohms
Max Input Power	20 W
Number of Ports	3
Length of Lead	15 ft Pigtailed
RF Connector	RPSMA Male
Application	Indoor / Outdoor
Operating Temperature	-22° to 158° F
Dimensions	5.7 x 7.1 in
Weight	3.1 lbs.
Mounting Style	Pole Mount
Pole Diameter	1.8-2 in
Isolation	≥ 15 dB/ ≥ 20 dB
Bandwidth	100/700 MHz



All product specifications are subject to change without notice or obligation.

2.4/5 GHz 6 dBi Wi-Fi MIMO Omnidirectional Antenna with 3 RPSMA Male Connectors

Mount Information



All product specifications are
subject to change without notice
or obligation.