

LAN/PoE 1GB Surge Protector

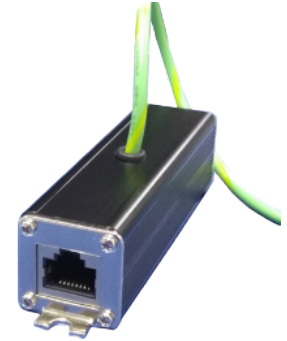
Single Port

ventev®

Connect, Protect, and Enable™

Specifications

SKU	VEN203197
Manufacturer Part Number	VNV-SP-1GBPS-UL1T
Nominal Voltage (Operating DC)	48 V
Max. Continuous Voltage (Operating DC)	56 V
Max. Continuous DC Voltage Pair-Pair (PoE)	58 V
Nominal Current	1.25 A (Each pair of lines)
Nominal Discharge Current Line-Line	125 A (8 / 20 μ s)
Nominal Discharge Current Line-FG	100 A (10 / 1000 μ s, 300 times with 3 min. interval)
Total Nominal Discharge Current Line-FG	5 KA (8 / 20 μ s, 10 times with 3 min. interval)
Voltage Protection Level Line-Line	47 ~ 77V (at IP = 2.5 A) (at rising voltage 100 V/s)
Voltage Protection Level Line-Line (PoE)	98 ~ 550 V (at rising voltage 1000 V/ μ s)
Voltage Protection Level Line-FG	98 ~ 550 V (at rising voltage 1000 V/ μ s)
Rated Stand-OFF Voltage	48 V (1,2 / 3,6) & (4,5 / 7,8)
Capacitance Line-Line	\leq 5 PF
Capacitance Line-FG	\leq 5 PF
Operating Temperature Range	-40 to 176°F (-40 to 80°C)
Connection (Input/Output)	RJ45 socket
Pinning	1 / 2, 3 / 6, 4 / 5, 7 / 8
Data Rate	10 / 100 / 1000 Mbps
Ground Lug Wire	14 AWG 350 \pm 5 mm
Dimensions (Including Bracket)	95 x 25.4 x 25.4 cm
Weight	70 g



Features & Benefits

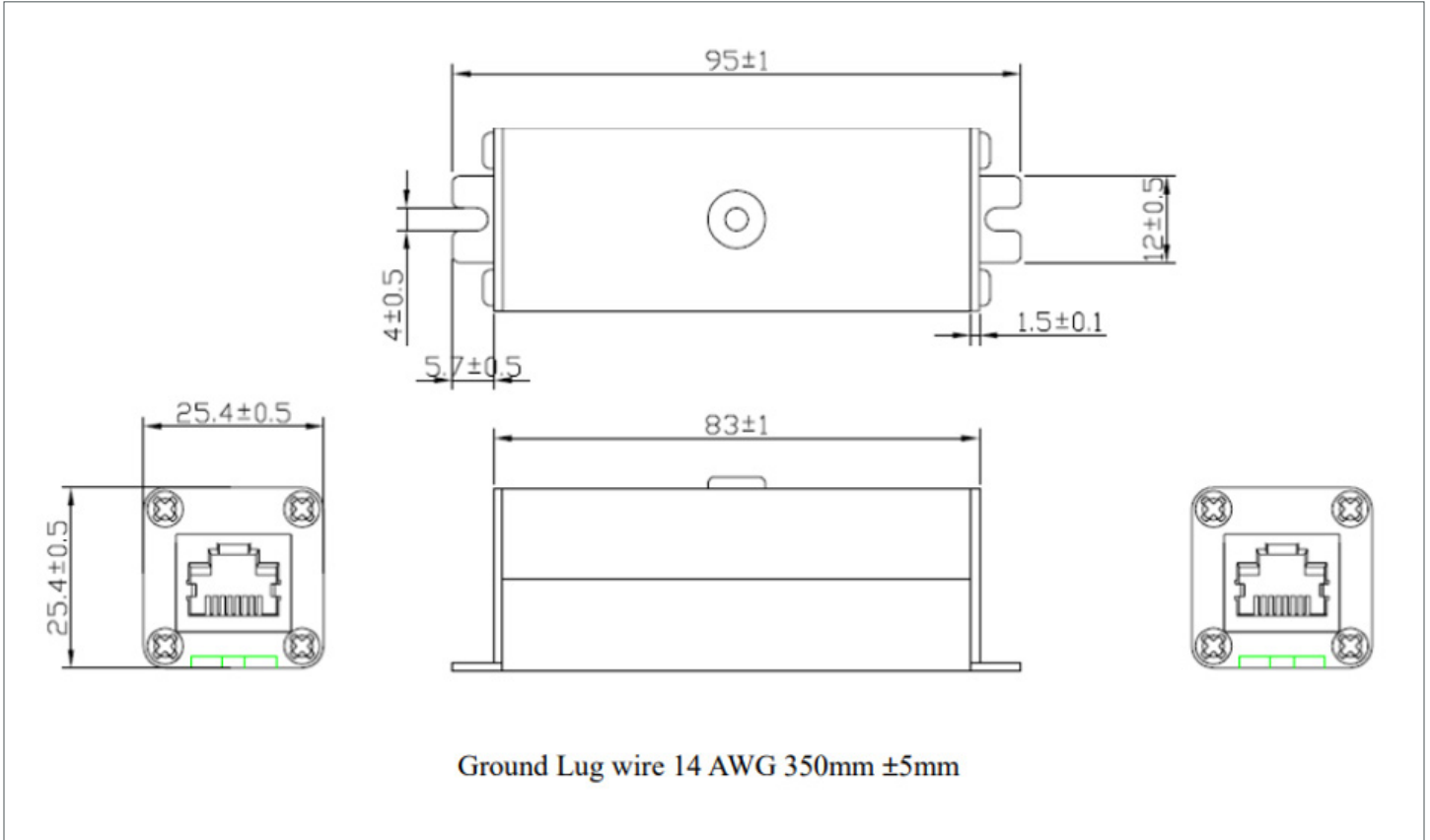
- Shielded RJ45 jack and metal housing for EMI noise suppression
- CAT5e / CAT6 / CAT6a compatible
- Gigabit Ethernet available
- Cast aluminum construction
- Integrated mounting brackets
- 802.3 af / at / bt / PoH compliant
- UL 497B approved

All product specifications are subject to change without notice or obligation.

LAN/PoE 1GB Surge Protector

Single Port

Product Information



All product specifications are subject to change without notice or obligation.