

2.4/5 GHz 8 dBi Directional Antenna

with 4 RPTNC Connectors and Articulating Mount

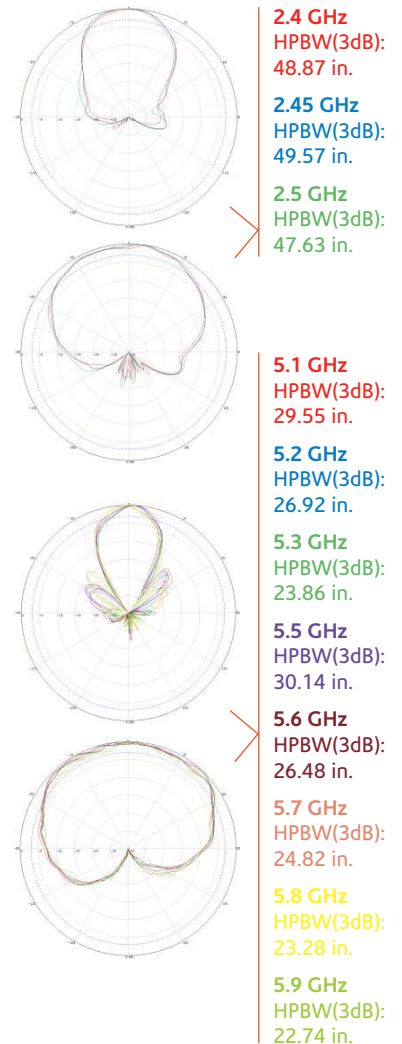
Ventev's 2.4/5 GHz, 8 dBi Directional Antenna with 4 RPTNC Connectors can connect to any manufacturer's 802.11ac Wave I, II, or Wi-Fi 6 access points (APs) with four (4) RPTNC connector ports. The antenna provides narrow vertical and wide horizontal beamwidths which allows concise coverage for aisles and makes it ideal for warehouse deployments. The antenna ships with the Ventev 10 in. Strong Arm Mount (SAM). Optional Ventev mounts that are compatible with this antenna include: Industrial Articulating, Universal Articulating and High Strength Universal.

Specifications

SKU	208128
Manufacturer Part Number	M6080080P1D43602
Operating Frequency Range	2.4/5 GHz
Gain	8 dBi
Polarization	2 × Vertical and 2 × Horizontal
Vertical Beamwidth	45°/35°
Horizontal Beamwidth	90°/115°
VSWR	≤ 2.0 / ≤ 2.0
Nominal Impedance	50 Ohms
Max Input Power	50 W
Number of Ports	4
Length of Lead	36 in. RG58/U
RF Connector	RPTNC Male
Application	Industrial/Warehouse
Operating Temperature	-40° to 158°F
Dimensions	10.6 x 6.7 x 1.6 in.
Weight	3.53 lbs.
Mounting Options	Wall, Pole, or Mast



Radiation Patterns



All product specifications are subject to change without notice or obligation.

2.4/5 GHz 8 dBi Directional Antenna

with 4 RPTNC Connectors and Articulating Mount

Mount Information

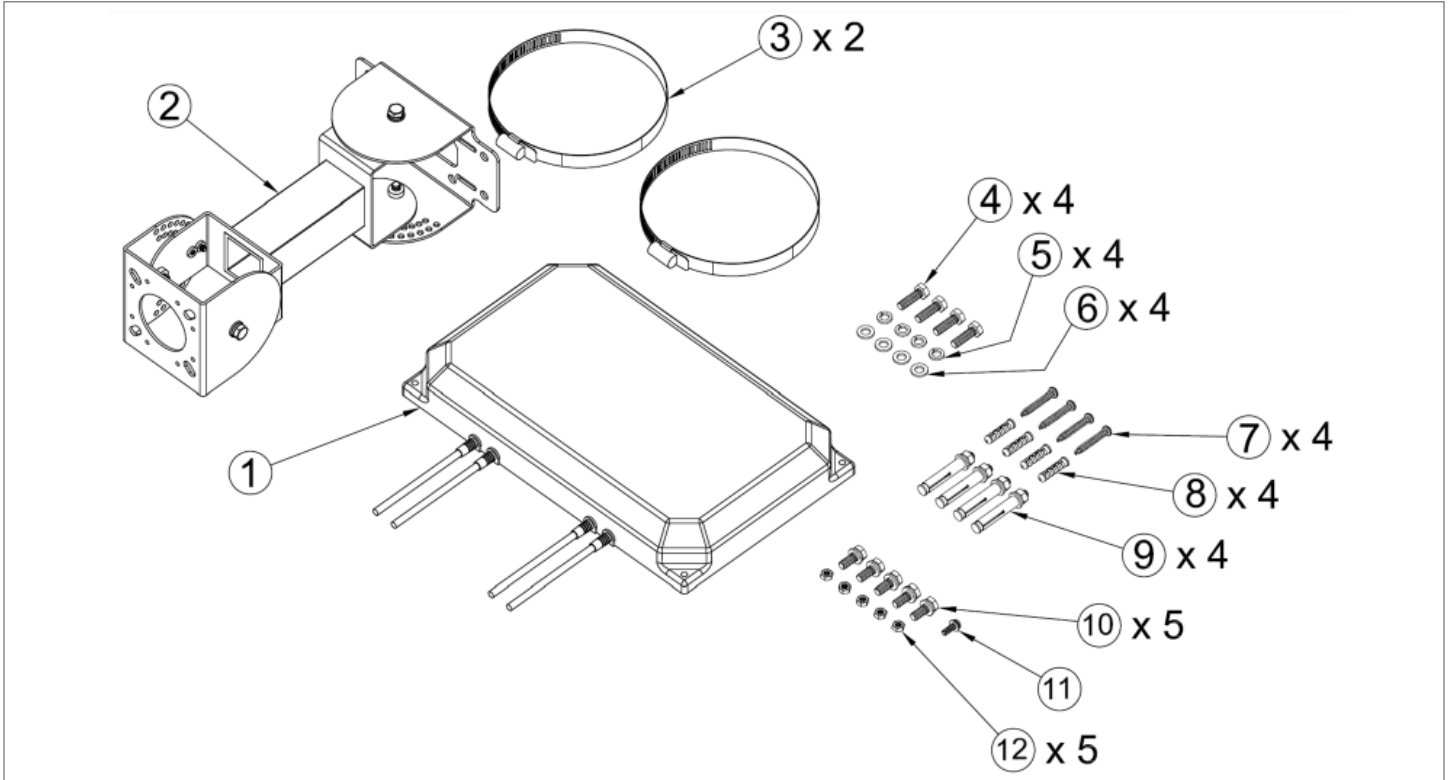


Diagram Contents

- 1 Antenna
- 2 10 in. Strong Arm Mount
- 3 Worm-Gear Type Hose Clamps: Each has a range of 30-157mm
- 4 M6 Screws
- 5 M6 Split-lock Washers
- 6 M6 Flat Washers
- 7 M4 Screws
- 8 Plastic Expansion Anchors (for wall mount option)
- 9 Stainless Steel Expansion Bolts (for wall mount option)
- 10 M6 SEMS Screws
- 11 Spare M4 SEMS Screw
- 12 M6 Hex Nuts



All product specifications are subject to change without notice or obligation.