

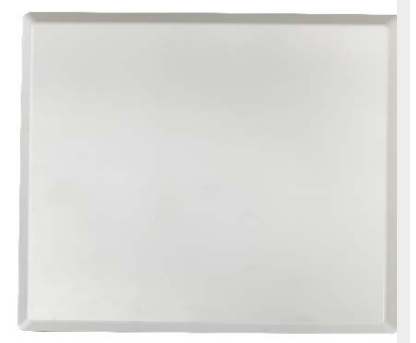
# 2.4/5/6 GHz 6 dBi Wi-Fi Dual-Polarized MIMO Antenna

with 8 RPTNC Male Connectors

ventev®

Connect, Protect, and Enable™

Ventev's Wi-Fi 6e dual-polarized panel antenna is designed to future-proof your wi-fi deployments. With 8 ports total, 4 of these ports cover the 2.4 and 5-6 GHz bands while the other 4 cover only the 5-6 GHz bands. This antenna is ideal for outdoor applications with its UV resistant ABS radome. Included is 8 RG58 cables with RPTNC Male connectors as well as our 10 in. strong arm mount (SAM).



## Specifications

SKU	215630
Model Number	M6060060D1D83602E
Operating Frequency Range	2.4/5/6 GHz
Gain	6 dBi
Polarization	4x Vertical, 4x Horizontal
Vertical Beamwidth	75°/70°/70°
Horizontal Beamwidth	75°/70°/70°
VSWR	≤ 2.0
Nominal Impedance	50 Ohms
Max Input Power	50 Watt
Number of Ports	8
Length of Lead	36" RG58
RF Connector	RPTNC Male
Application	Outdoor
Operating Temperature	-40° to 158°F
Dimensions	10.6 x 10.6 x 1.25 in
Weight	4.1 lbs
Survial Wind Velocity	124 mph
Radome Color/Material	White UV Resistant ABS

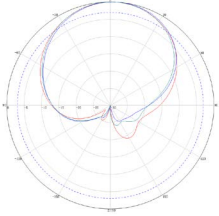


All product specifications are subject to change without notice or obligation.

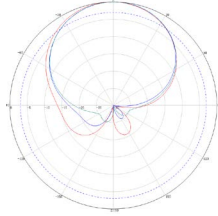
# 2.4/5/6 GHz 6 dBi Wi-Fi Dual-Polarized MIMO Antenna

with 8 RPTNC Male Connectors

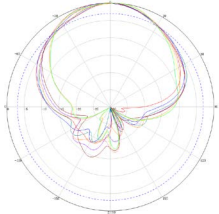
## Radiation Patterns



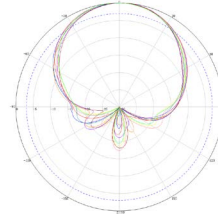
**2.4GHz**  
E Plane



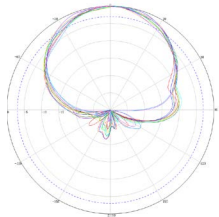
**2.4 GHz**  
H Plane



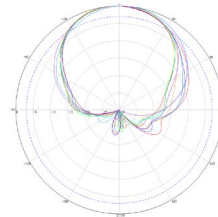
**5 GHz**  
E Plane



**5 GHz**  
H Plane



**6 GHz**  
E Plane



**6 GHz**  
H Plane

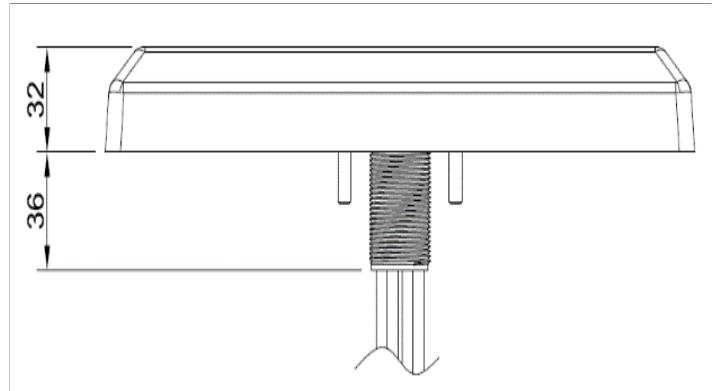
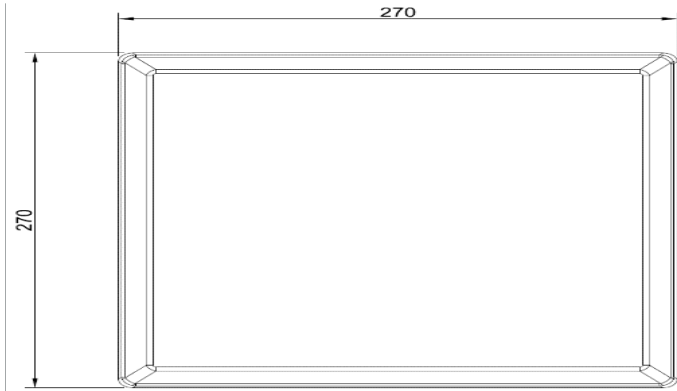


*All product specifications are subject to change without notice or obligation.*

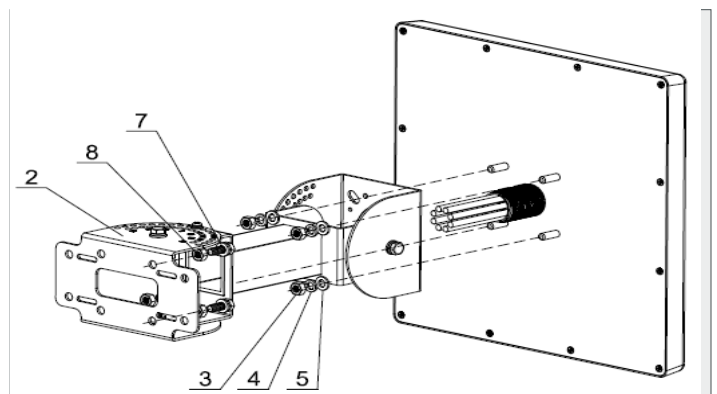
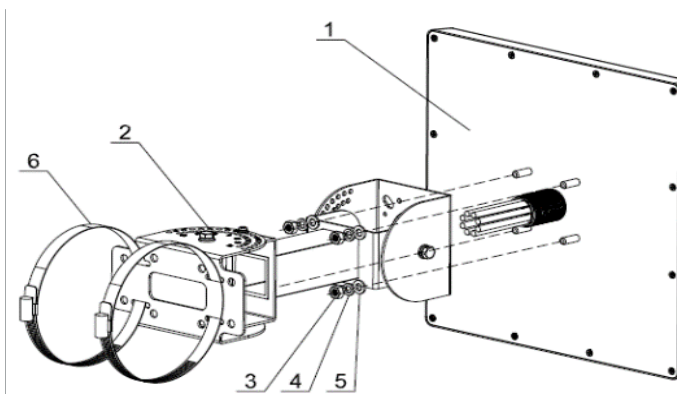
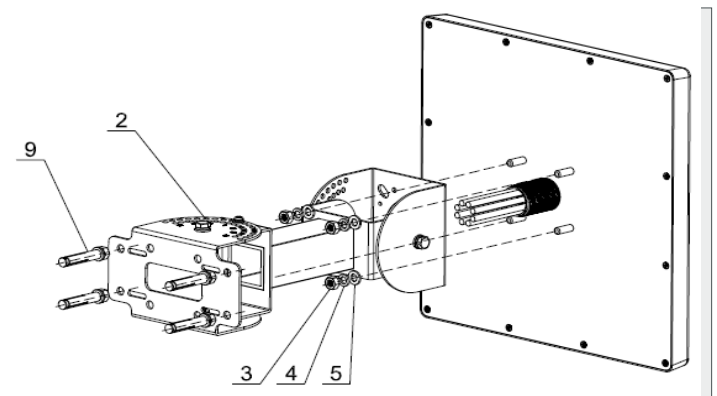
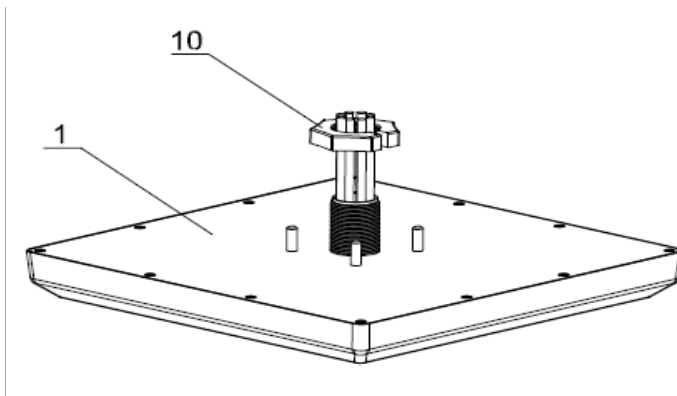
# 2.4/5/6 GHz 6 dBi Wi-Fi Dual-Polarized MIMO Antenna

with 8 RPTNC Male Connectors

## Dimensions



## Mounting Options



All product specifications are subject to change without notice or obligation.