

2.4/5/6 GHz 6 dBi Wi-Fi Patch Antenna

with 8 RPTNC Male Connectors & Articulating Mount

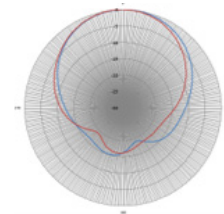
Ventev's Multi-Mounted Wi-Fi Patch Antenna with 8 RPTNC male connectors offers outstanding Wi-Fi performance in a small form factor design making it ideal for applications where performance and aesthetics are equally important. The antenna can be mounted to the ceiling and also includes a Medium Strength Articulating Mount that articulates horizontally and vertically for precise positioning.

Specifications

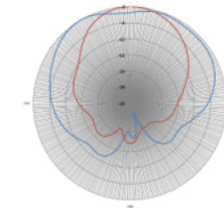
SKU	219521
Manufacturer Part Number	M6060060P1D83602S
Operating Frequency Range	2.4/5/6 GHz
Gain	6 dBi
Polarization	Vertical/Horizontal
Vertical Beamwidth	80°/50°/50°
Horizontal Beamwidth	80°/120°/120°
VSWR	≤2.0
Nominal Impedance	50 Ohms
Max Input Power	50 W
Number of Ports	8
Length of Lead	36 in.
RF Connector	RPTNC Male
Application	Indoor/Outdoor
Dimensions	9 x 4.4 x 1.2 in.
Weight	3.30 lbs.
Mounting Options	Ceiling, Mast, Pole, or Wall
Radome	White UV Resistant ABS
Bandwidth	100/1975 MHz
Front-to-Back Ratio	10/15 dBi
Isolation	≥12 / ≥18



Radiation Patterns



Orientation
2.4 GHz



Orientation
5/6 GHz



All product specifications are subject to change without notice or obligation.

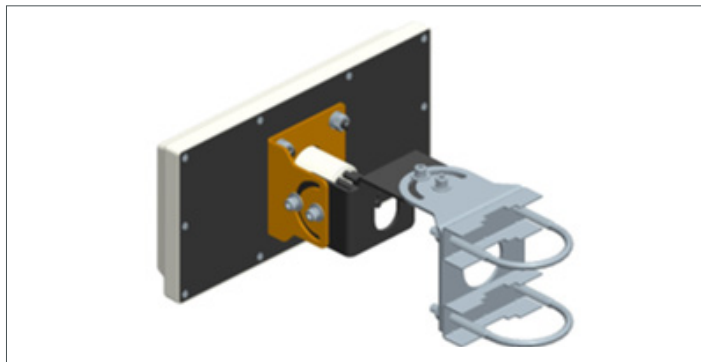
2.4/5/6 GHz 6 dBi Wi-Fi Patch Antenna

with 8 RPTNC Male Connectors & Articulating Mount

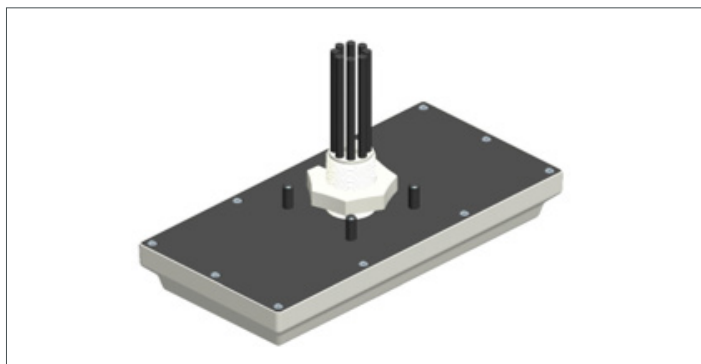
Mount Information



Wi-Fi Articulating Mount: Model TW-ART-MOUNT-MS



Pole/Mast Mount



Ceiling Mount

Mount Specifications

Model	TW-ART-MOUNT-MS
Dimensions	6 x 3 x 3 in.
Material	Aluminum
Operating Temperature Range	-40° to 158°F
Mounting Options	Wall or Pole
Mast Diameter	2.125 to 2.5 in.
Maximum Load	25 lbs.*
Wind Speed Range	≤100 mph

*NOTE: Max load is a combination of antenna weight and wind strength.



All product specifications are subject to change without notice or obligation.