

5 GHz 18.5 dBi Wi-Fi Directional Antenna

with 4 N Jack Connectors

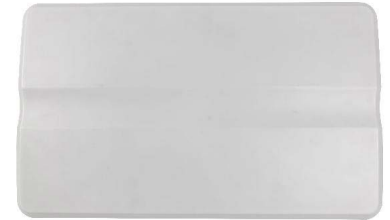
ventev®

Connect, Protect, and Enable™

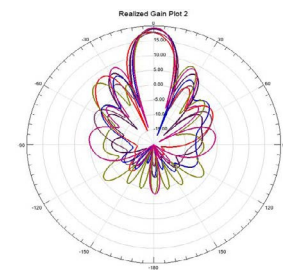
Ventev's 5 GHz 18.5 dBi Wi-Fi Directional Antenna can connect to any manufacturer's 802.11ac Waves I & II WLAN access points. The antenna provides very high gain and very narrow beamwidths that are required to support ultra-high capacity wireless networks. Dual polarization ensures excellent performance in high scatter environment. The antenna's rear plate has four studs for a variety of antenna mounting options. Compatible Ventev mounts include the Industrial Articulating Strong Arm Mount.

Specifications

SKU	242441
Manufacturer Part Number	T58185D0006
Operating Frequency Range	5 GHz
Gain	18.5 dBi
Polarization	2 Vertical, 2 Horizontal
Vertical Beamwidth	16°
Horizontal Beamwidth	16°
VSWR	2:1
Nominal Impedance	50 Ohms
Max Input Power	50 W
Number of Ports	4
RF Connector	N Jacks
Application	Indoor
Operating Temperature	-40° to 158°F
Dimensions	15.75 x 9.45 x 1.38 in.
Weight	3.55 lbs.
Front-to-Back Ratio	22 dB
Mounting Options	Wall, Pole, or Mast
Radome	White ABS
Intrusion Prevention	IP-54 Compliant

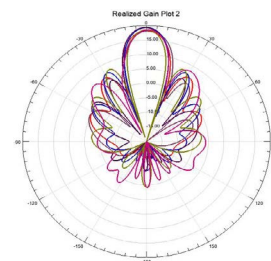


Radiation Patterns



Port 1

Curve Info	xdb10(Beamwidth(3))	max
dB(RealizedGainTotal) Setup1 : Sweep1	18.7739	17.9160
Freq=4.9GHz Phi=0deg		
dB(RealizedGainTotal) Setup1 : Sweep1	18.8987	17.7945
Freq=4.9GHz Phi=90deg		
dB(RealizedGainTotal) Setup1 : Sweep1	16.6014	18.9725
Freq=5.4GHz Phi=0deg		
dB(RealizedGainTotal) Setup1 : Sweep1	17.2320	18.9688
Freq=5.4GHz Phi=90deg		
dB(RealizedGainTotal) Setup1 : Sweep1	14.6191	19.3465
Freq=5.9GHz Phi=0deg		
dB(RealizedGainTotal) Setup1 : Sweep1	15.2317	19.3465
Freq=5.9GHz Phi=90deg		



Port 2

Curve Info	xdb10(Beamwidth(3))	max
dB(RealizedGainTotal) Setup1 : Sweep1	18.9054	18.1466
Freq=5.9GHz Phi=0deg		
dB(RealizedGainTotal) Setup1 : Sweep1	18.9696	18.1918
Freq=4.9GHz Phi=90deg		
dB(RealizedGainTotal) Setup1 : Sweep1	16.8721	19.2932
Freq=5.4GHz Phi=0deg		
dB(RealizedGainTotal) Setup1 : Sweep1	17.2154	19.3031
Freq=5.4GHz Phi=90deg		
dB(RealizedGainTotal) Setup1 : Sweep1	15.2109	18.4703
Freq=5.9GHz Phi=0deg		
dB(RealizedGainTotal) Setup1 : Sweep1	16.1661	18.8278
Freq=5.9GHz Phi=90deg		

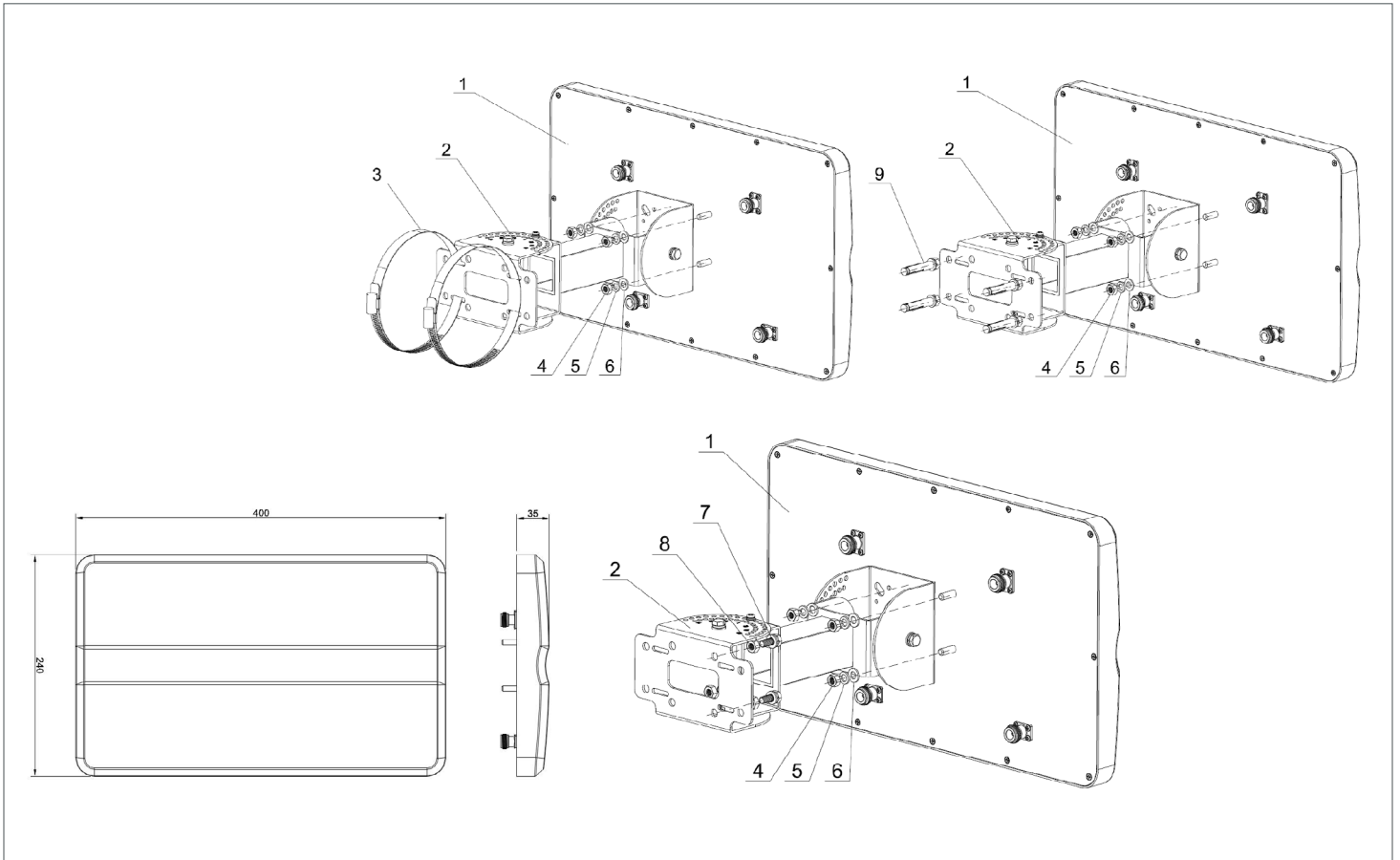


All product specifications are subject to change without notice or obligation.

5 GHz 18.5 dBi Wi-Fi Directional Antenna

with 4 N Jack Connectors

Antenna & Mount Information



Mount Diagram Contents

- 1 Antenna
- 2 10 in. Strong Arm Mount
- 3 Two worm-gear type hose clamps. Each has a range of 30-157 mm
- 4 Four M6 hex nuts
- 5 Four M6 split-lock washers
- 6 Four M6 flat washers
- 7 Four M6 SEMS screw for the 10 in. mount
- 8 Four M6 hex nuts for the 10 in. mount
- 9 Four expansions bolts for wall mount option



All product specifications are subject to change without notice or obligation.