

Power Extender for Light Poles

with Intermittent Power 120/240 & 277/480 VAC

ventev®

Connect, Protect, and Enable™

Ventev's Power Extender enables continuous operation of access points, wireless surveillance cameras, and other PoE devices installed on light poles with intermittent AC power supply. The specialized power system provides primary power to wireless radios and devices during day light hours, and then performs a fast-recharge at night when AC power is available to charge the battery bank.

Available Models

| Description | MFG Part # | SKU |
|------------------------------|-----------------|--------|
| Single-Port PoE+ 120/240 VAC | PWR-XTDR-VNV204 | 553902 |
| Multi-Port PoE+ 120/240 VAC | PWR-XTDR-VNV235 | 200667 |
| Single-Port PoE+ 277/480 VAC | PWR-XTDR-HI | 588929 |
| Multi-Port PoE+ 277/480 VAC | PWR-XTDR-VNV247 | 299428 |

**NOTE: Each system includes power supply and charger, PoE injector, battery bank w/ strap, wire harness, and RJ45 feed-thrus.*

Specifications

| | |
|--------------------------|---|
| Hours of Operation | 18 hrs. at max power draw |
| Gigabit PoE | 10/100/1000 Mbps PWR + DATA OUT (data + power) |
| System Protections | Low Voltage Disconnect, DC input fuse protection, short circuit protection (auto-reset) |
| Terminal Blocks | AC with 3 phase, 3 PST, 2 position switch, DC for 12 V & ground |
| Operating Temperature | -13° to 122°F (Includes battery/s) |
| Enclosure NEMA Rating | 4X |
| Enclosure Material | White Aluminum |
| Enclosure Locks | Pad Lockable Latches |
| Mounting | Pole (mounting flanges included) |
| Included (not installed) | Battery harness, 1-hole plugs, 3 RJ45 glands |



Single-Port

Multi-Port

Features & Benefits

- Designed for streetlights or light poles with intermittent power (AC power controlled by a remote light sensor or timer).
- Battery bank provides 18 hours of power during the day, recharges within 6 hrs at night.
- Converts 120 VAC input power to PoE+ for wireless radio and 35 W max for common PoE devices such as cameras for most common PoE devices.
- Powers one access point and up to 2 ports (max 35 W power available) for PoE devices.
- Outdoor PoE injector for power/data to wireless radio (i.e., access point).
- Unmanaged PoE switch to combine data from 1-2 cameras and pass to POE injector.
- NEMA 4X enclosure includes latch locks for protection and security.
- Seamless power transfer from AC site power to battery reserve ensures access point remains powered and radio rebooting is avoided.



All product specifications are subject to change without notice or obligation.

Power Extender for Light Poles

with Intermittent Power 120/240 & 277/480 VAC

ventev®

Connect, Protect, and Enable™

Specifications Continued

| Model | Single POE+ Output 120/240 VAC Input SKU 553902 | Multi POE+ Output 120/240 VAC Input SKU 200667 | Single POE+ Output 277/480 VAC Input SKU 588929 | Multi POE+ Output 277/480 VAC Input SKU 299428 |
|--------------------------------|---|--|---|--|
| Input Power | 90-264 VAC, 60 Hz | 90-264 VAC, 60 Hz | 180-520 VAC, 60 Hz | 180-520 VAC, 60 Hz |
| Output power | Base Voltage: 12 VDC or PoE+ (802.3at), 35 W, one port | Base Voltage: 12 VDC or PoE+ (802.3at), 35 W from injector, 1 port & 2 PoE ports from unmanaged switch; Max output from both ports 35 W | Base Voltage: 12 VDC or PoE+ (802.3at), 35 W, one port | Base Voltage: 12 VDC or PoE+ (802.3at), 35 W from injector, 1 port & 2 PoE ports from unmanaged switch; Max output from both ports 35 W |
| Battery Backup System | Built-in charger w/sealed lead acid batteries. Automatic switch-over to battery. Low Voltage Disconnect included (disconnect voltage 10.5 VDC, reconnect voltage 12.5 VDC) | | | |
| Battery Charger Current Rating | 15 Amps Max | 15 Amps Max | 10 Amps Max | 10 Amps Max |
| Battery | 54 Ahr Partial State of Charge sealed lead acid battery; Estimated usable life is 4-5 years | 100 Ahr Partial State of Charge sealed lead acid battery; Estimated usable life is 2-3 years | 54 Ahr Partial State of Charge sealed lead acid battery; Estimated usable life is 4-5 years | 100 Ahr Partial State of Charge sealed lead acid battery; Estimated usable life is 2-3 years |
| Enclosure Dimensions | 18 x 16 x12 in. | 26 x 16 x 12 in. | 18 x 16 x12 in. | 26 x 16 x 12 in. |
| Enclosure Ports | 1 port for AC-input, 2 ports for RJ45 I/O | 1 port for AC-input, 4 ports for RJ45 I/O | 1 port for AC-input, 2 ports for RJ45 I/O | 1 port for AC-input, 4 ports for RJ45 I/O |
| Weight (with Batteries) | 75 lbs. | 100 lbs. | 75 lbs. | 100 lbs. |

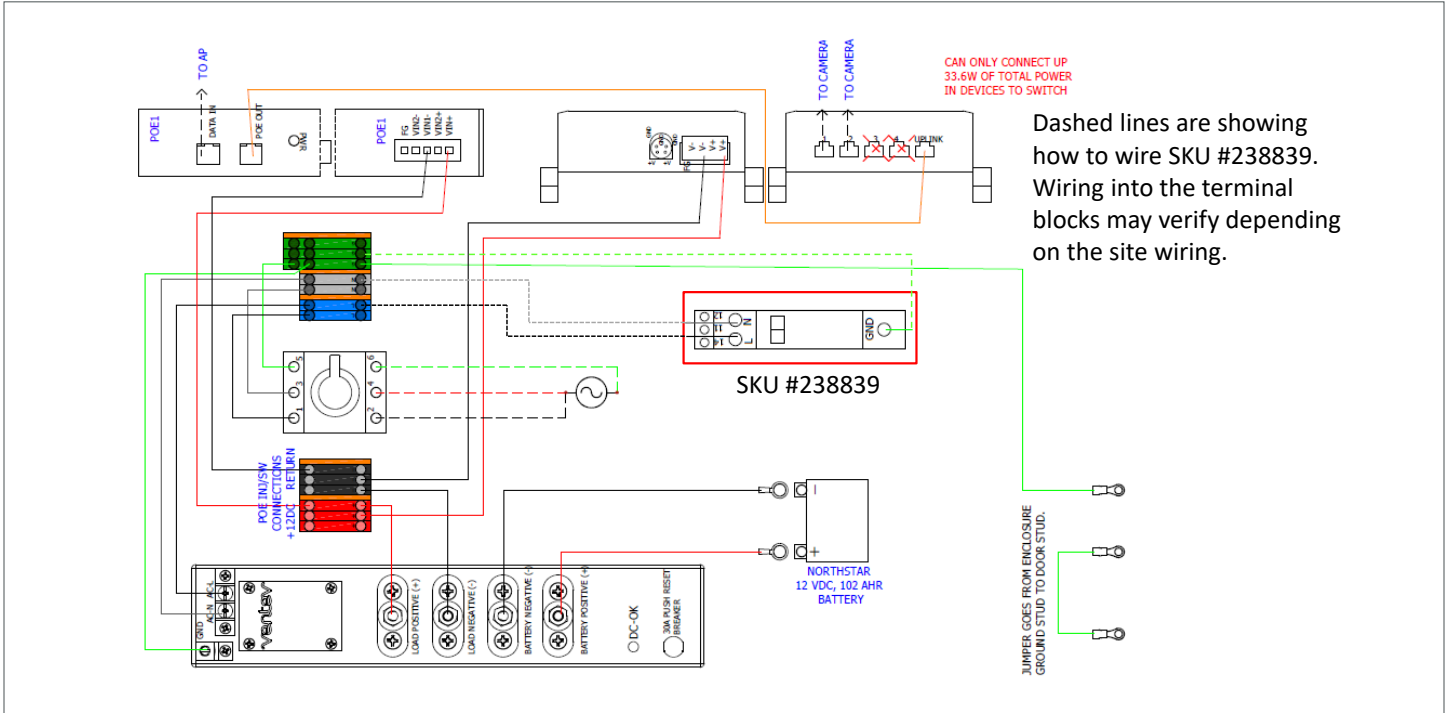
Applications

- Municipal Wi-Fi deployments on light poles or streetlights enabling traffic management.
- Public Wi-Fi deployments on light poles or streetlights at parks and recreation areas.
- Outdoor security cameras deployed on light poles or streetlights.



All product specifications are subject to change without notice or obligation.

Installation: AC Surge Suppression



Installation: DC Surge Suppression

