

# 698-960/1700-2700 MHz 2.5/3 dBi DAS Low PIM Ceiling Mount Omni Antenna

with 1 N Female Connector

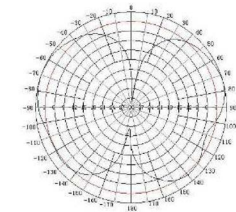
Ventev's 698-960/1700-2700 MHz LTE/ Wi-Fi 2.5/3 dBi Ceiling Tile Mount Antenna is designed for indoor wireless networks operating in the LTE, Cellular, or 2.4 GHz frequency range. This antenna is ideal for any indoor voice and data wireless system. Includes an N Female connector, 12 in. cable, and a ceiling tile mount. The horizontal and vertical beamwidths are ideal for small sector coverage.

## Specifications

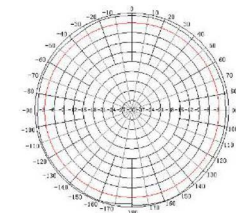
SKU	577843
Manufacturer Part Number	M3025030011206
Operating Frequency Range	690-2700 MHz
Gain	2.5/3 dBi
Polarization	Vertical
Vertical Beamwidth	70° / 35°
Horizontal Beamwidth	360°
VSWR	≤3.5 / ≤2 / ≤2
Nominal Impedance	50 Ohms
Max Input Power	100 W
Number of Ports	1
Length of Lead	12 in.
RF Connector	N Female
Application	Indoor
Operating Temperature	-40 to 140°F
Dimensions	10.2 x 3.7 in.
Weight	2.4 lbs.
Intermodulation IM3 (2x33 dBm)	≤ -140 dBc



## Radiation Patterns



E Plane



H Plane

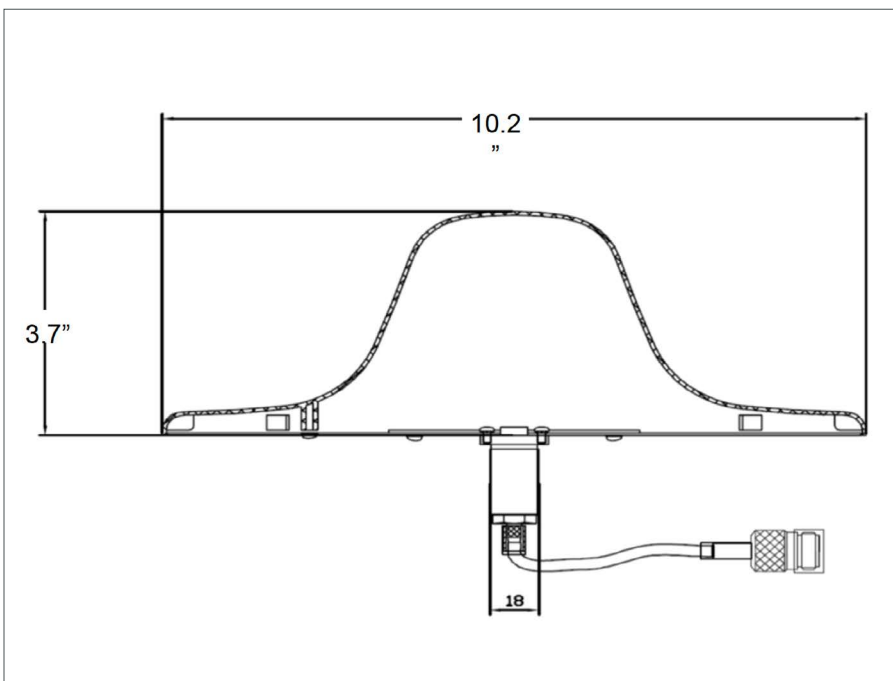
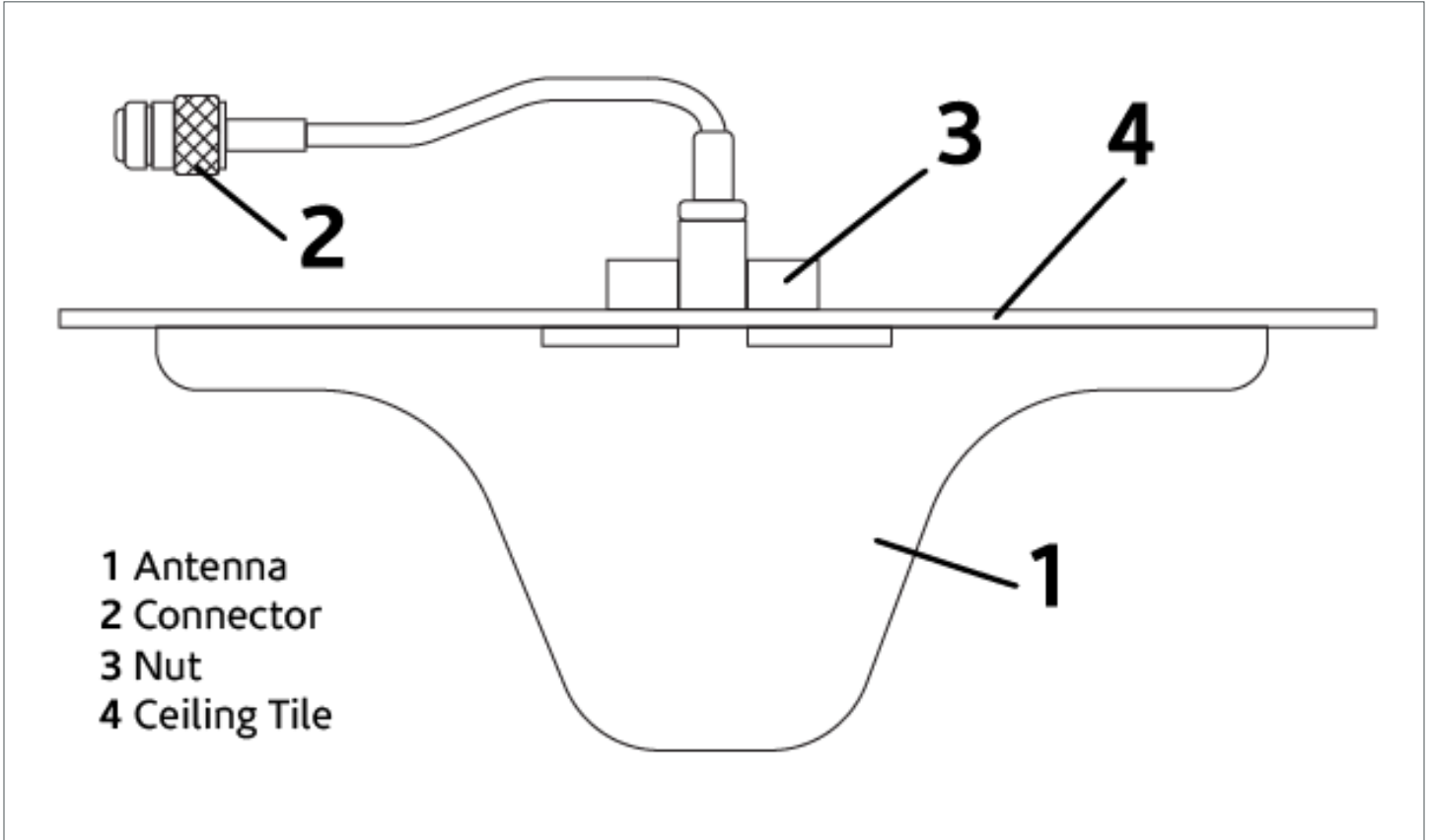


All product specifications are subject to change without notice or obligation.

# 698-960/1700-2700 MHz 2.5/3 dBi DAS Low PIM Ceiling Mount Omni Antenna

with 1 N Female Connector

## Mount Information



## Installation Instructions

- To install, drill a hole matching the connector on the ceiling tile, then pull the connector through the hole and fasten the mounting nut on the other side of the ceiling tile to fix the antenna in place, as shown in the above figure.
- Connect the connector and ensure that it is securely fastened.
- **NOTE:** Any surrounding metal objects may affect the performance of the antenna.



All product specifications are subject to change without notice or obligation.