

# Rapid Deployment Kit

for Easy Data Network Setup

Ventev's Rapid Deployment Kit allows for quick and easy set up of a data network for Wi-Fi or cellular radio communication. The RDK can be used for emergency response or to expand an existing network for temporary coverage. The user can choose their own IoT gear or use one of Ventev's design in partners.

The kit includes a NEMA 3R UPS system, pole mount kit, and tripod. External antennas, additional batteries, and IoT gear from Cisco, Meraki, or Aruba can be added to the system depending on the end application.

Available Model	MFG Part #	SKU
Rapid Deployment Kit	VP-148D1-07I32-7	600169

## Component Specifications

Product	MFG Part #	SKU
48 V Outdoor/Indoor NEMA 3R UPS System with SLA Batteries	VN185319	600166

- 18x16x10 polycarbonate enclosure, vented with thermostat-controlled fan
- Two-stage battery charger with auto switch over when AC power fails
- One hour battery back-up run time depending on system load
- Eight ports of RJ45, 1GBT 30 W PoE output capability
- Cisco IE3200 Series switch

Product	MFG Part #	SKU
Universal Tripod Mount	TP-G238-96	360604

- Hot dipped galvanized steel
- 96 in. height, 2 3/8 in. pole

Product	MFG Part #	SKU
Universal Pole Mount Kit	TWPMK-16-UNIV	339837

- Two steel mounting arms
- Two 48 in. adjustable pole clamp/straps
- Fastening hardware included

### 48 V Outdoor/Indoor NEMA 3R UPS System with SLA Batteries



SKU 600166

### Universal Tripod Mount



SKU 360604

### Universal Pole Mount Kit

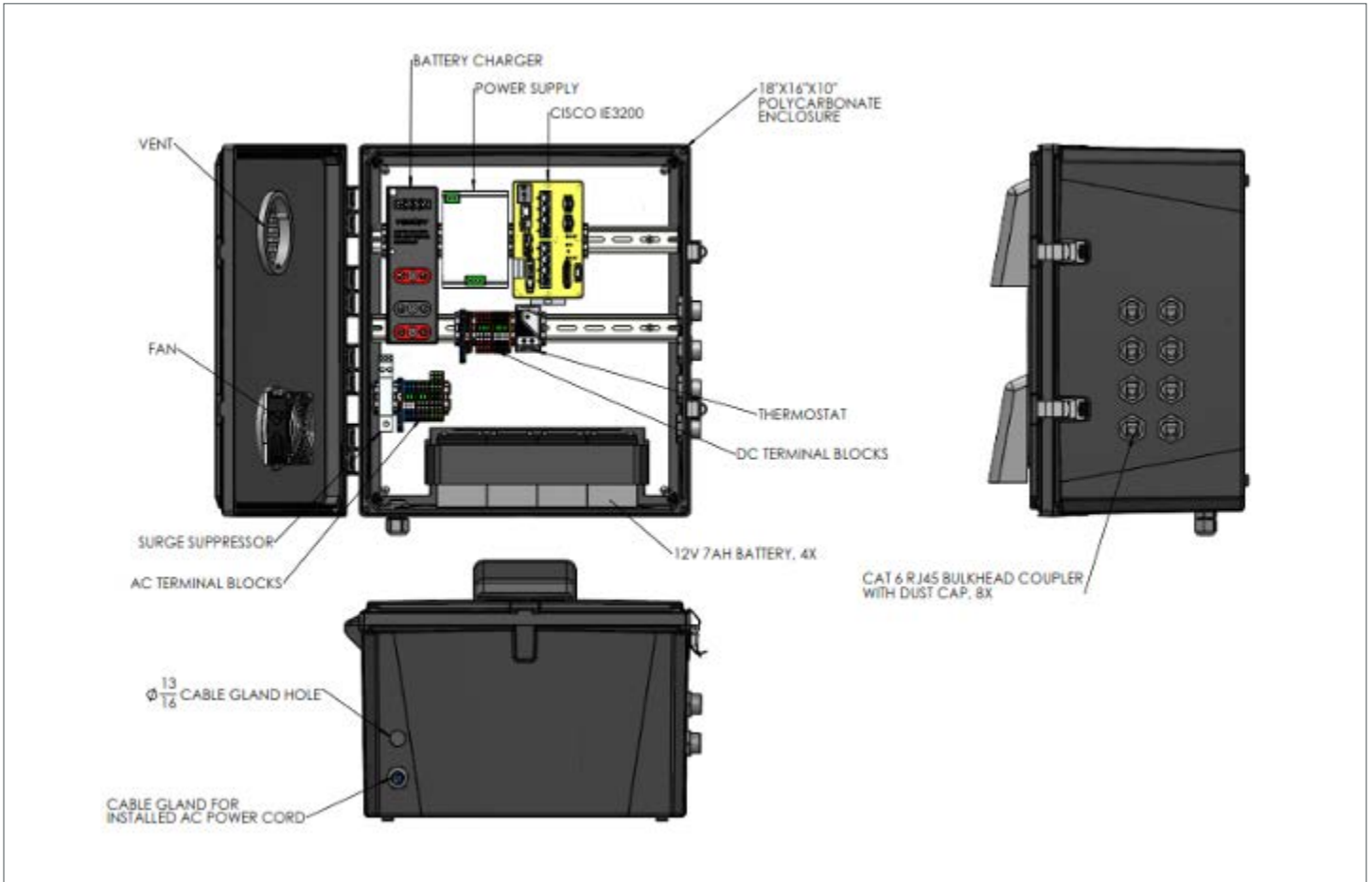


SKU 339837



All product specifications are subject to change without notice or obligation.

## Enclosure Diagram



All product specifications are subject to change without notice or obligation.