

Magnetic Heavy-Duty Mounts

for VenDome Antenna

ventev®

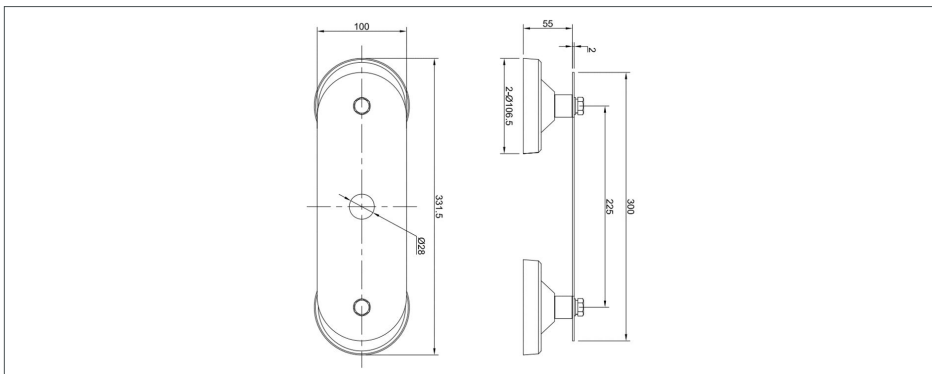
Connect, Protect, and Enable™

Ventev's heavy-duty outdoor rated fleet-top mount magnet eliminates need for a permanent mount. Made with industrial grade Ferrite and powder-coated mount plates provide excellent weatherability along with UV and rust resistance. It offers a 40 Lbf/leg of side-pull strength and 35 Lbf/leg of lift-off. The included antenna mount plate allows quick antenna mounting through hole. Can be easily removable without damaging the surface.

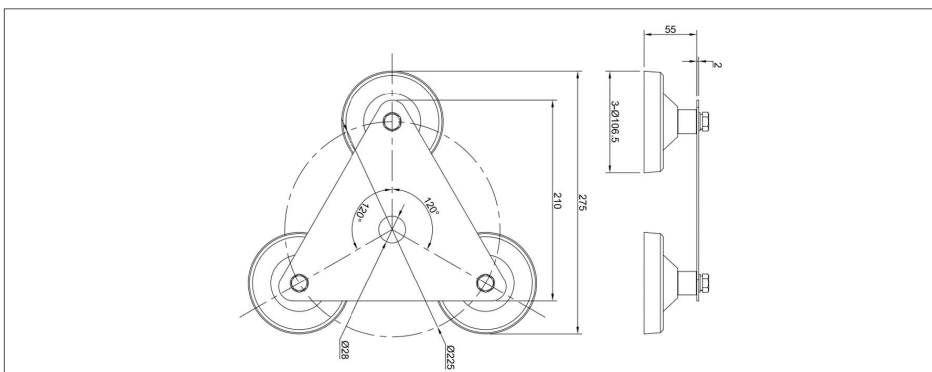
Available Models

Description	MFG Part #	SKU
2-Leg Magnetic Mount	VEN-MGMT-2LEG	600876
3-Leg Magnetic Mount	VEN-MGMT-3LEG	600881

Dimensions



SKU 600876



SKU 600881

2-Leg Magnetic Mount



3-Leg Magnetic Mount



Features & Benefits

- Ideal for vehicular rooftop applications where a permanent mount is not desirable.
- Made with industrial grade Ferrite and powder-coated mount plates providing excellent weatherability along with UV and rust resistance.
- Pull strength of 40 Lbf/leg side-pull; 35 Lbf/leg lift-off.
- Included antenna mount plate allows quick antenna mounting through hole.
- Removable without damaging the surface.



All product specifications are subject to change without notice or obligation.