

# VenGo™ Mobile Wi-Fi Carry-on Unit

Ventev's VenGo™ mobile carry-on system enables Wi-Fi and cellular data transmission in a convenient, mobile all-in-one case with 6-8 hours of battery run time. The case can be transported by carry-on in an airplane and is TSA-compatible. Ideal for use in the field to provide Wi-Fi and data upload capability where there is no AC power. Designed specifically for Cisco IR18xx series routers.

## Specifications

SKU	605544
Manufacturer Part Number	VMPC-24-080-CISCOCFG
Description	Full no Icotek glands

## Housing Specifications

Housing Model	Pelican Air 1535
Closure	Latch
Security Lock	Dual 5 / 16 in. / 8 mm Padlock Holes
Ingress Rating	IP67
Connectors (Exterior)	2 ethernet pass throughs, 1 USB-C bulkhead extension cable (for continuous AC operation or charging), optional custom cable gland configurations
Operating Temperature	-20° to 140°F
Dimensions (Exterior)	22 x 14 x 9 in.
Depth	Lid: 2 in. Base: 5.2 in.
Weight	25 lbs.
Construction	Polypropylene
Removable Tray Construction	Aluminum



## Features & Benefits

- Built-in VenDome™ 5G-ready antenna with up to 4x4 MIMO 5G/4G LTE, 6x6 2.4/5 GHz Wi-Fi, 1x GPS/GNSS.
- Sized for airline carry-on, 25 lbs. or less, semi-ruggedized case.
- AC powered, but requires 110 V charging.
- 6-8 hours back-up runtime with VenVolt® battery.
- Radio DC power cord must be purchased with the radio by the end user.
- TSA-compatible, Lithium chemistry battery.
- Removable tray for TSA inspection.
- Simple power-up sequence.
- 2 external 15 W PoE Ethernet ports.
- Retractable/side carry handles, recessed wheels.
- Patent pending.
- Compatible with Cisco IR18xx series routers.

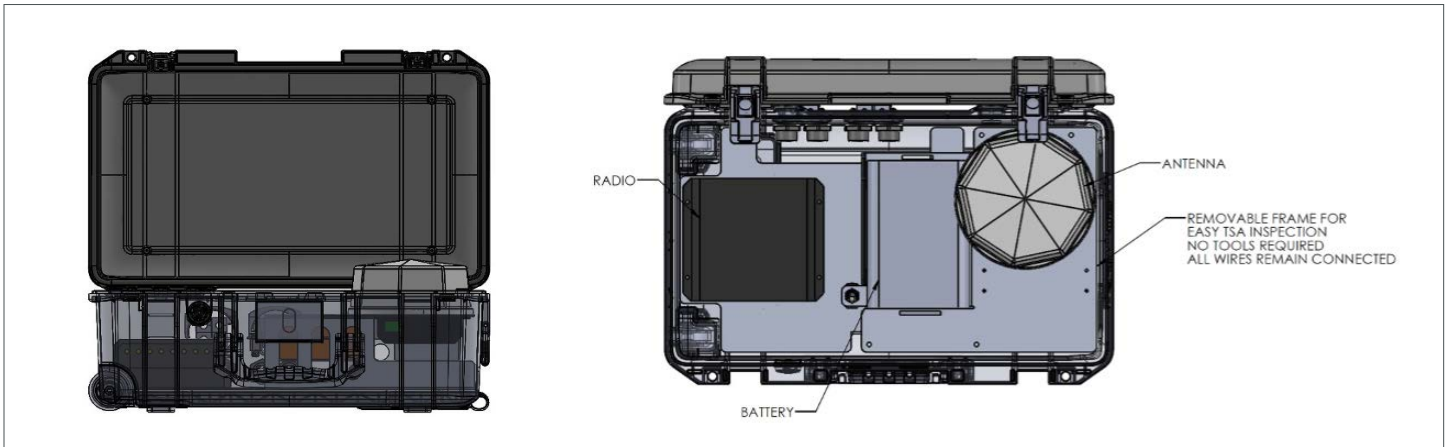


All product specifications are subject to change without notice or obligation.

# VenGo™ Mobile Wi-Fi Carry-on Unit

ventev®

Connect, Protect, and Enable™



## Antenna Specifications

VSWR	< 2.0 ± 4 MHz
Gain	26 dB LNA
Out of Band Rejection	> 40 dB
Typical Noise Figure	-2.7 dB
Operating Voltage	3-5 VDC
Typical Current	15 mA



All product specifications are subject to change without notice or obligation.