

Outdoor 120 VAC / 12 VDC 120 W UPS Power System

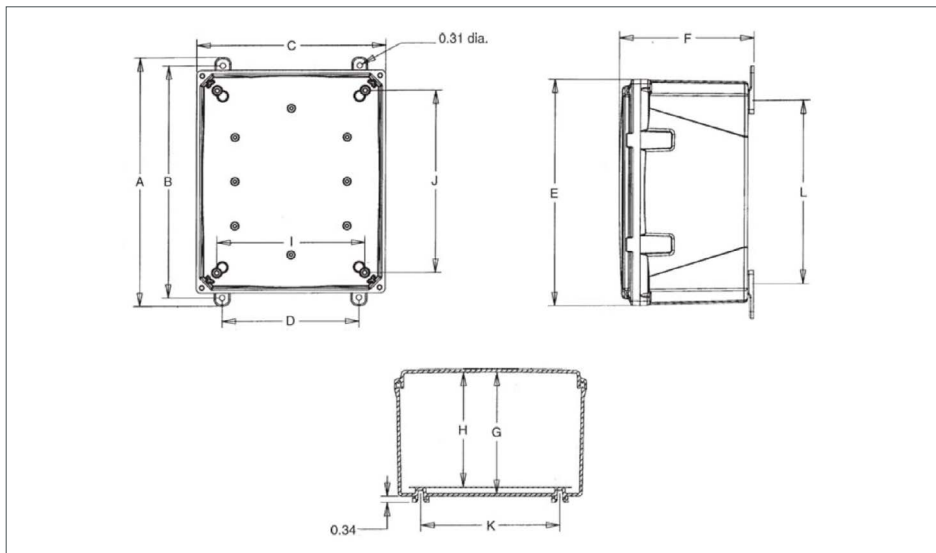
for IoT Applications

Ventev's 120 VAC / 12 VDC 120 W Power System for IoT applications ensures reliable power for LPWAN, Cellular, SCADA and Wi-Fi radios. The compact, lightweight NEMA 4X enclosure system converts 120 VAC site power to 12 VDC to power active equipment or convert to PoE/PoE+ if needed. Optional one or two 7 Ahr battery. The system is easily configurable in the field, or can be delivered fully integrated to meet your specific deployment requirements. Mounts on poles or walls.

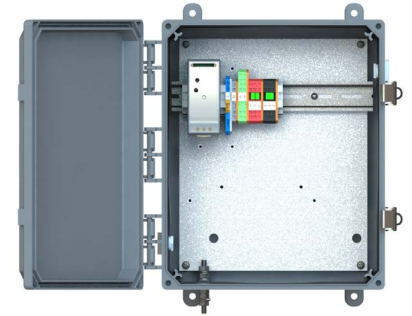
Available Models

Enclosure Description	MFG Part #	SKU
AC/DC Power System	VPE-12-120-000000	607280
System with UPS Battery	VPE-12-120-000700	607283

Enclosure Dimensions



Enclosure Size	A	B	C	D	E
12 x 10 x 6 in.	14.00 in.	13.13 in.	11.50 in.	7.60 in.	12.50 in.
	F	G	H	I x J	K
	7.25 in.	6.75 in.	6.25 in.	8.25 x 10.25 in.	7.60 in.
	L	M	N	O	Panel Size
	9.63 in.	13.69 in.	12.75 in.	8.00 in.	10.75 x 8.88 in.



Features & Benefits

- Converts AC power to DC power.
- Rugged NEMA-rated enclosure protects in harsh weather.
- Lightweight and low profile.
- Locks to secure equipment from tampering and theft.
- Pole or wall mountable.
- **Configured and delivered fully integrated** for fast, trouble-free installation.
- **Cost-effective solution** for ensuring reliable power for uninterrupted connectivity.
- **Convenient, one-stop purchase** – Power System and all optional integrated components can be purchased through Tessco.

Applications

- **Outdoor Wi-Fi:** converts 120 VAC to 1-2 PoE ports for outdoor access points.
- **Smart Grid:** powers collector point systems for LTE backhaul radios with enclosure I/O ports for antenna cables.
- **Smart Farming:** provides 12 VDC to power LPWAN Gateway radio systems with accommodations for external 900 MHz and LTE antennas.
- **SCADA Networks:** Protects remote equipment and provides 12 VDC power to SCADA radio with UPS and integrated antennas.



All product specifications are subject to change without notice or obligation.

Outdoor 120 VAC / 12 VDC 120 W UPS Power System

for IoT Applications

Specifications

Output Power	120 W at 12 VDC
Input Power	90-264 VAC 60 Hz, 3.5 Amp.
Terminal Blocks	AC with knife switch, DC for 12 V and ground
Enclosure Type	NEMA 4X gray polycarbonate, UL listed, opaque hinged lid
Enclosure Ports	One port for AC-input, three ports for RJ45 I/O
Vented	No
Operating Temperature	-31° to 140°F
Environment	Outdoor
Dimensions	12 x 10 x 6 in.
Weight	13 lbs. with batteries
Mounting Style	Wall/Mast
System Protections	DC input fuse protection, short circuit protection (auto-reset), low voltage disconnect included (cutoff voltage 10.5, reconnect voltage 12.5)
Locking Mechanism	Pad lockable latches
Battery Backup System	Built-in capability, wire harness included for 2 batteries (but not installed)

Notes

- For AC input requirements greater than 270 VAC, call Ventev.
- For extended battery backup time, call Ventev.
- Site AC power cord not included.

Additional Accessories

Replacement Batteries Yuasa 7 Ahr

MFG Part #:	SKU #:
NP7-12	532518

Pole Mount for ≤ 4 in. Poles

MFG Part #:	SKU #:
PMK-4-10	330781

Universal Pole Mount Kit for 10/12 in. Wide Enclosures

MFG Part #:	SKU #:
TWPMK-10-12-UNIV	303580

1 in. Diameter RJ45 Compatible Cable Glands

MFG Part #:	SKU #:
10F362226	576422

1 in. Diameter Hole Plugs

MFG Part #:	SKU #:
1/2-NEMA-PLUG	344873

Configure with Optional Components:

- Cell modems, LPWAN, SCADA, & Wi-Fi radios
- Network switches
- Industrial POE injectors
- Battery and enclosure monitors
- Surface mount antennas for LTE, GPS, & Wi-Fi
- Batteries for UPS capability



All product specifications are
subject to change without notice
or obligation.