

Ultra-Wideband Surface Mount Omni Antenna

617-7125 MHz, 1 Port

ventev®

Connect, Protect, and Enable™

Ventev's Ultra-Wideband Surface Mount Omnidirectional Antenna is a 5G-ready supporting frequency range from 617 to 7125 MHz and ideal for wide range of applications in indoor and outdoor deployments. The high-quality design offers excellent gain and electrical performance in a compact form-factor. The rugged design offers superior environmental protection from UV, rain, dust, and high-pressure washing. Antenna comes in NMO and N-Female connector options and requires 18 in. conductive ground plane for optimal performance. Compatible with optional Universal L-bracket for pole and wall mounting, SKU 274461.

Available Models

Description	MFG Part #	SKU
NMO	VL-UEPOS-NMO	607691
N-Female	VL-UEPOS-NF	607692

Electrical Specifications

Operating Frequency Range	617-698 MHz	698-960 MHz	1695-2700 MHz	3300-7125 MHz
Polarization	Vertical			
Gain	3 dBi	3 dBi	5 dBi	7 dBi
Horizontal Beamwidth	360°			
Vertical Beamwidth	75°	75°	50°	30°
VSWR	≤2.5			
Max Input Power	50 W			
Impedance	50 Ohms			



NMO: SKU 607691



N-Female: SKU 607692

Features & Benefits

- Ultra-Wideband (617-7125 MHz) Omnidirectional Antenna with excellent electrical performance.
- Supports 5G FR1 bands and Wi-Fi 6E, makes it ideal for deployments in Industrial IoT, vehicle rooftop, and fixed network applications.
- Rugged design suitable for any indoor and outdoor deployments.
- Surface Mounted. Requires 18 in. conductive ground plane for optimal performance.



All product specifications are subject to change without notice or obligation.

Ultra-Wideband Surface Mount Omni Antenna

617-7125 MHz, 1 Port

ventev®

Connect, Protect, and Enable™

Mechanical Specifications

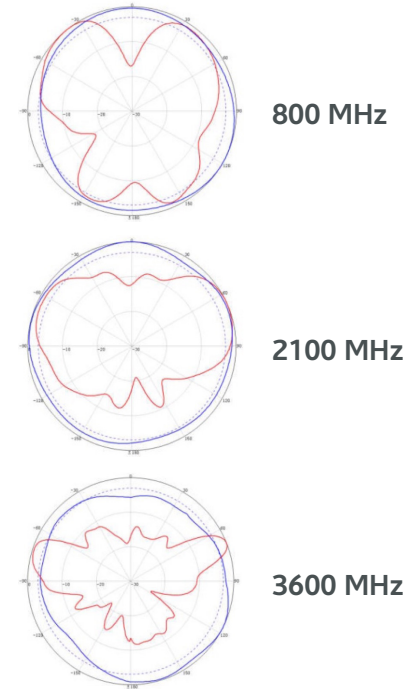
Dimensions	NMO: 1.9 in. diameter x 3.9 in. high N-Female: 1.9 in. diameter x 3.3 in. high
RF Connector	NMO or N-Female (see SKU table)
Radome	Black ABS
Mounting Options	Surface (Optional pole and wall mount bracket for N-Female option with SKU 274461)
Application	Indoor/Outdoor
Operating Temperature	-40° to 140° F
Relative Humidity	Up to 100%
Weight	0.6 lb.

Installation Instructions*

- For N-Female connector option, drill a 11/16 in. hole in the mounting surface.
- Remove and retain the mounting nut.
- Set the antenna flat on the mounting surface.
- Install and tighten the mounting nut on the underside of the mounting surface.
- Optional: Place a small bead of silicone sealant around the edge of the antenna where it sits atop the mounting surface.

*NOTE: These instructions assume the antenna is being mounted to a flat metal surface.

Radiation Patterns



All product specifications are subject to change without notice or obligation.

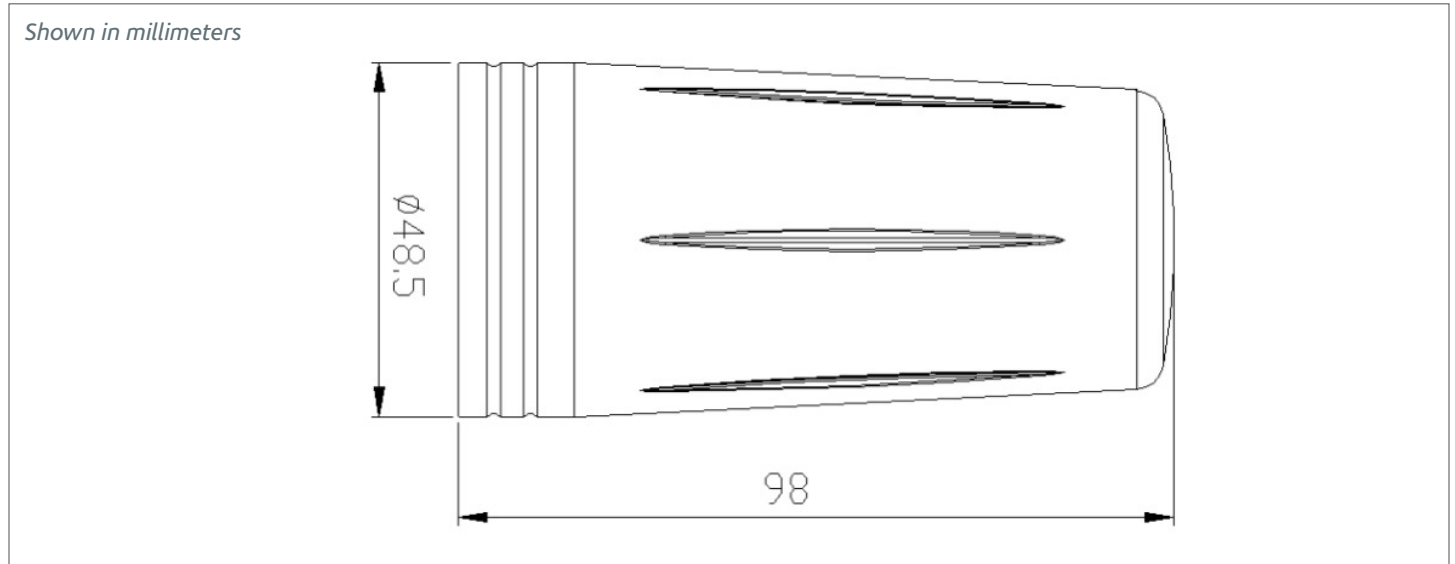
Ultra-Wideband Surface Mount Omni Antenna

617-7125 MHz, 1 Port

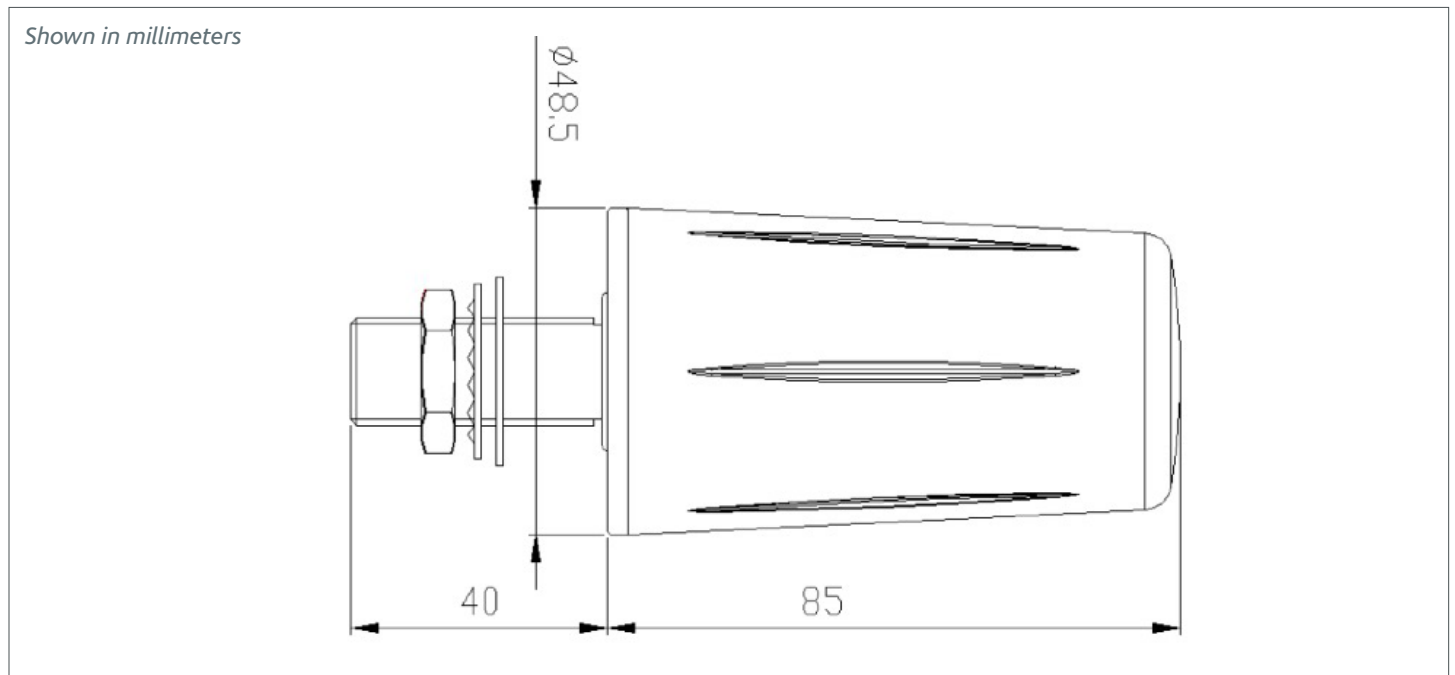
ventev®

Connect, Protect, and Enable™

Dimensions



NMO: SKU 607691



N-Female: SKU 607692



All product specifications are subject to change without notice or obligation.