

Ultra-Wideband Ultra-Slim Omni SISO Antenna

350-6000 MHz, Low-PIM

ventev®

Connect, Protect, and Enable™

Ventev's Ultra-Wideband Ultra-Slim Omni SISO Antenna is designed for in-building Public Safety and Cellular DAS applications. This antenna's low-PIM high gain design with excellent pattern performance and specifications is ideal for your in-building DAS deployments. This antenna can be mounted to suspended tile as well as hard-lid/drywall ceilings without needing any bracket. Antenna comes with UL-94 compliant plenum-rated 1 ft. lead with N Female connector.

Available Models

Description	MFG Part #	SKU
N Female Connector	VT-HUHM6-IONF	608573

Electrical Specifications

Operating Frequency Range	350-520 MHz	617-960 MHz	1695-2700 MHz	3300-4200 MHz	4900-6000 MHz
Polarization	Linear Horizontal				
Gain	4 dBi	4 dBi	6 dBi	7 dBi	7 dBi
Horizontal Beamwidth	360°				
VSWR	≤1.8	≤1.5	≤1.5	≤1.5	≤1.5
PIM, IM3, 2x 20 W (43 dBm)	/	≤-153 dBc	≤-153 dBc	≤-153 dBc	/
Max Input Power	50 W				
Impedance	50 Ohms				



Features & Benefits

- Indoor omnidirectional antenna designed for in-building Public Safety and Cellular DAS applications.
- Ultra-wideband antenna supporting indoor coverage requirements at 350-520 (UHF) and 600-6000 MHz.
- Low-PIM high gain design with excellent pattern performance and specifications.
- Aesthetically pleasing contour design.
- Can be mounted to hard ceiling and suspended tile.



All product specifications are subject to change without notice or obligation.

Ultra-Wideband Ultra-Slim Omni SISO Antenna

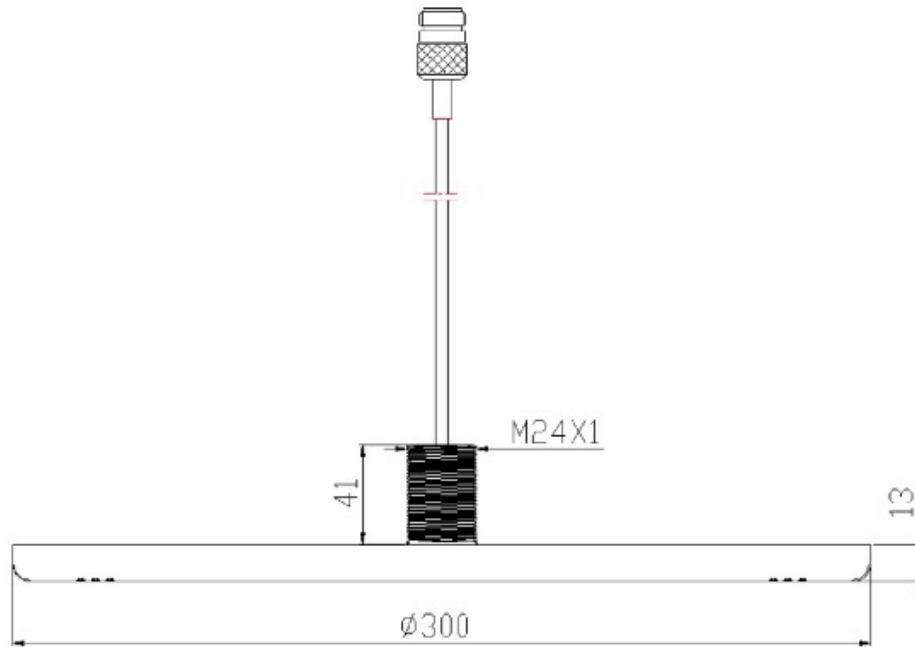
350-6000 MHz, Low-PIM

ventev®

Connect, Protect, and Enable™

Dimensions

Shown in millimeters



Mechanical Specifications

Dimensions	11.8 in. diameter x 0.5 in. deep
RF Connector	N Female
Number of Ports	1
Pigtail/Lead	Plenum rated RG141, UL-94 Compliant
Length of Lead	12 in.
Radome	White ABS
Mounting Options	Ceiling (hard ceiling or suspended tile thru-hole)
Application	Indoor
Operating Temperature	-40° to 140°F
Relative Humidity	5-95%
Weight	0.55 lb.



All product specifications are subject to change without notice or obligation.

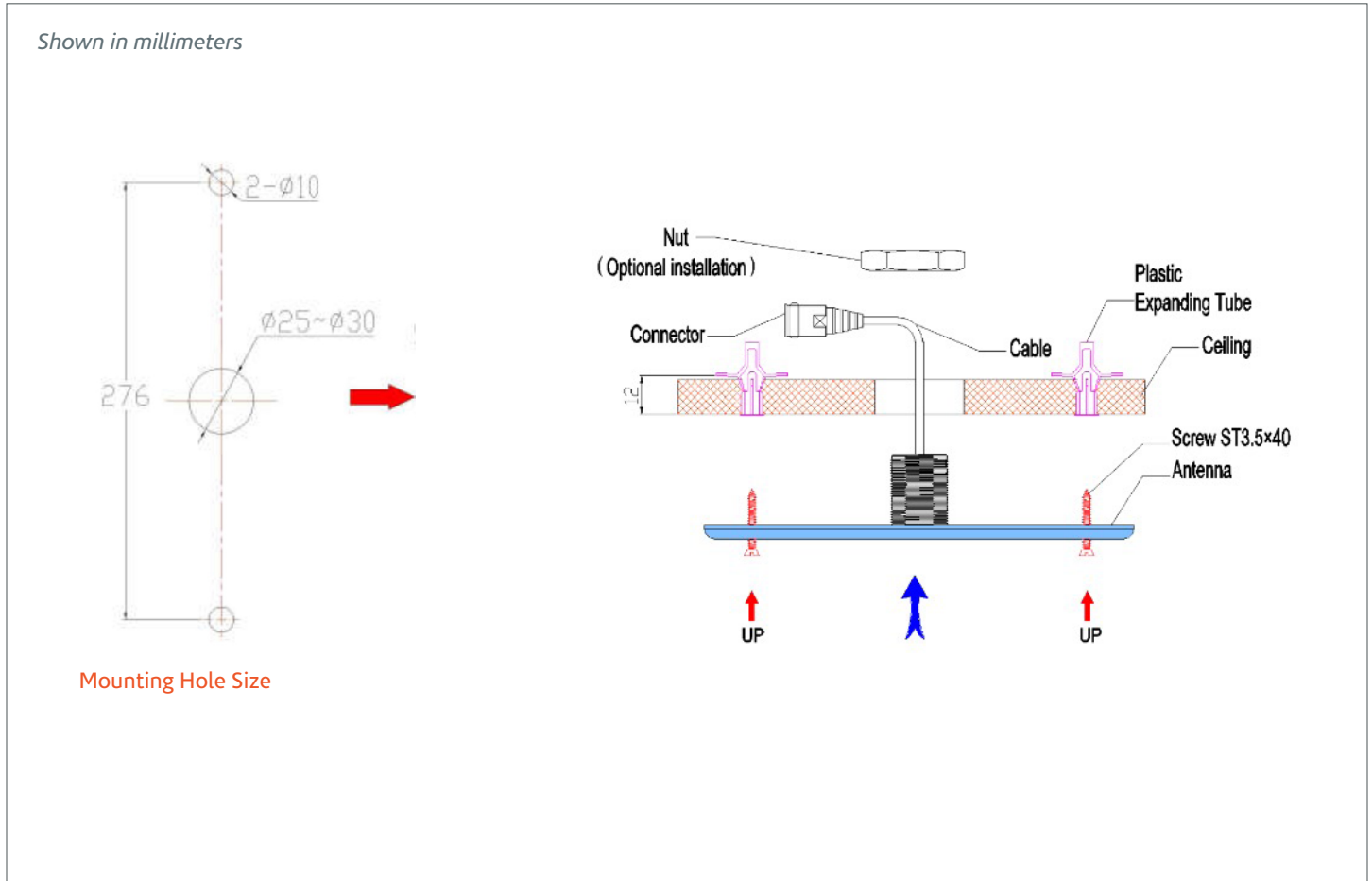
Ultra-Wideband Ultra-Slim Omni SISO Antenna

350-6000 MHz, Low-PIM

ventev®

Connect, Protect, and Enable™

Antenna & Mount Information



Installation Instructions

- Drill a 25-30 mm diameter hole in the ceiling.
- Remove the backing nut and feed the pigtails through the hole one at a time.
- For ceiling tile mount, simply reinstall the backing nut and hand-tighten until antenna back is flush with the tile.
- For hard ceiling mount, two drywall anchors are included with antenna. When installing on drywall surface, follow the schematic "mounting hole size" above. For installation on other surfaces such as concrete, wood and other non-metallic, use appropriate hardware (#6 size or M3.5, 2x) to secure antenna from outside until antenna back is flush with the ceiling.
- Installation directly on the metal surface is not recommended.



All product specifications are subject to change without notice or obligation.