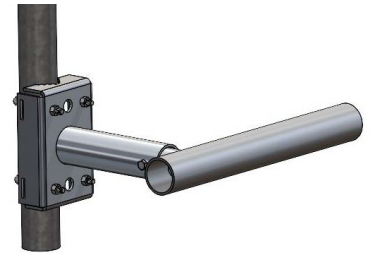
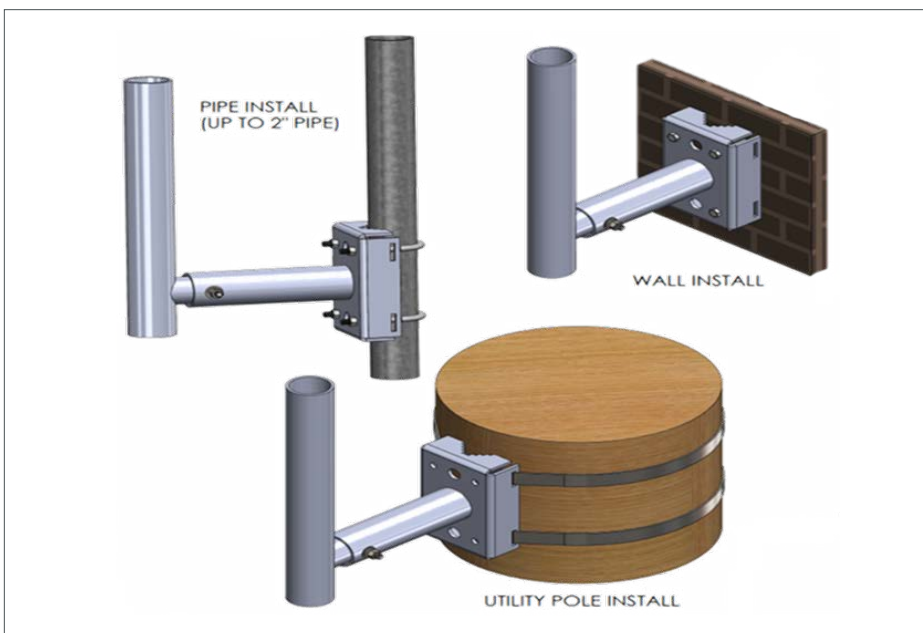


The VentAnt™ Mount's adjustable design can be used with most antennas utilizing a standard 2 in. pipe design. This unique design allows for antennas to be mounted on pipe, poles, and wall structures. The mount has 12-18 in. stand-off adjustability and can be rotated 360 degrees, allowing for vertical or horizontal positioning. Its durable and rust proof aluminum construction allows for use in both indoor and outdoor environments, making it the perfect mount for factories, utilities, and industrial communications.

Specifications

SKU	609167
Manufacturer Part Number	VNV-VENANTMOUNT-1
Size	15 x 20 x 5 in.
Weight	5 lbs.
Application	Indoor/Outdoor
Material	Aluminum
Mounting	Wall, Pole, or Pipe

Mount Applications



Horizontal Orientation Pictured

Features & Benefits

- Adjustable stand-off allows for lengths from 12 to 18 in.
- Can be used for vertical and/or horizontal antenna configurations on 2 in. diameter pipes.
- Compatible with most antennas and radios.
- Can be mounted to various surfaces such as metal pipes, wood poles, and various wall structures.
- Made out of high grade, durable, and rust proof aluminum.



All product specifications are subject to change without notice or obligation.

Mount Information

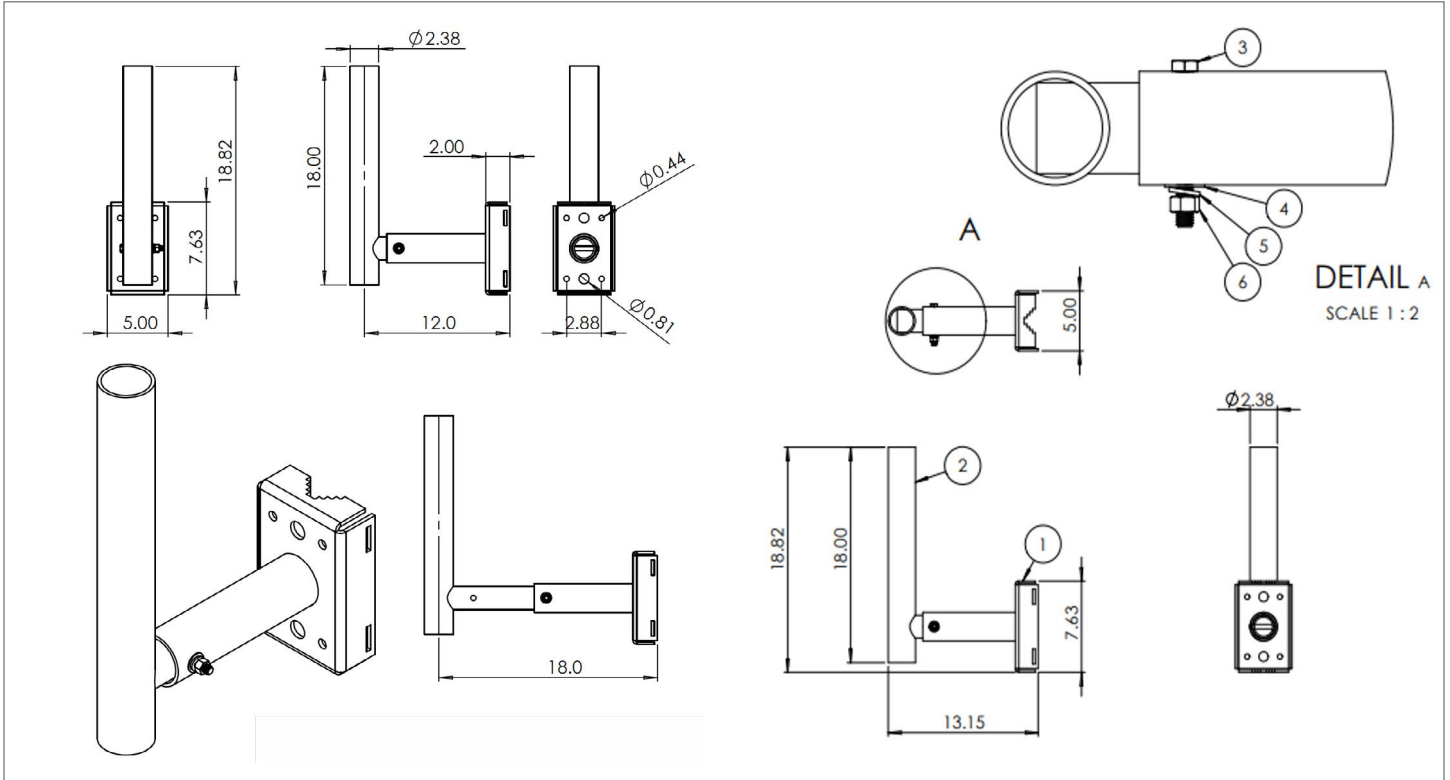


Diagram Contents

- 1 Base Assembly
- 1.1 Base Plate
- 1.2 Tower Side Horizontal Pipe
- 2 Antenna Pipe Assembly
- 2.1 Vertical Pipe
- 2.2 Horizontal Pipe
- 3 18-8 Stainless Steel Hex Head Screw
- 4 Washer, Flat 3/8-18, 18-8
- 5 Washer, Split Lock 3/8, 18-8
- 6 Hex Nut 3/8-16, 18-8

NOTES:

1. Assemble as shown, center bolt finger tight
2. Box Assembly



All product specifications are subject to change without notice or obligation.