

# 2.4/5/6 GHz 6 dBi Wi-Fi Directional Antenna

with 4 N Male Connectors

ventev®

Connect, Protect, and Enable™

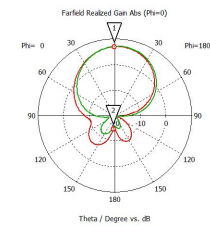
Ventev's 2.4/5/6 GHz 6 dBi Wi-Fi High Density Multiple-Input and Multiple-Output (MIMO) Directional Antenna is designed to operate with Wi-Fi 6E/7 access points. Dual polarization makes it ideal for high scatter environments. Four tri-band leads deliver exceptional performance while simplifying connection to the access point. The antenna ships with a 10" articulating Strong Arm Mount and mounting hardware to support mast and/or wall mounting.

## Specifications

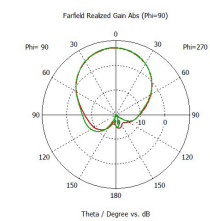
SKU	611751
Manufacturer Part Number	M7060060D3D43602E
Operating Frequency Range	2.4/5/6 GHz
Gain	6 dBi
Polarization	Vertical/Horizontal
Vertical Beamwidth	65°/60°/60°
Horizontal Beamwidth	65°/55°/ 55°
VSWR	< 2
Nominal Impedance	50 Ohms
Number of Ports	4
Length of Lead	36 in.
RF Connector	N Male
Application	Indoor/Outdoor
Operating Temperature	-40° to 140° F
Dimensions	7.5 x 7.5 x 1.5 in.
Weight	2.0 lbs.
Front-to-Back Ratio	> 13 / > 17 / > 17 dB
Port-to-Port Isolation	> 30 dB



## Radiation Patterns

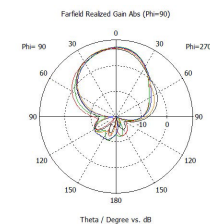


2.4 GHz  
E Plane

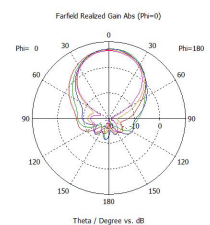


2.4 GHz  
H Plane

— farfield (f=2.4) [1]  
— farfield (f=2.5) [1]



5/6 GHz  
E Plane



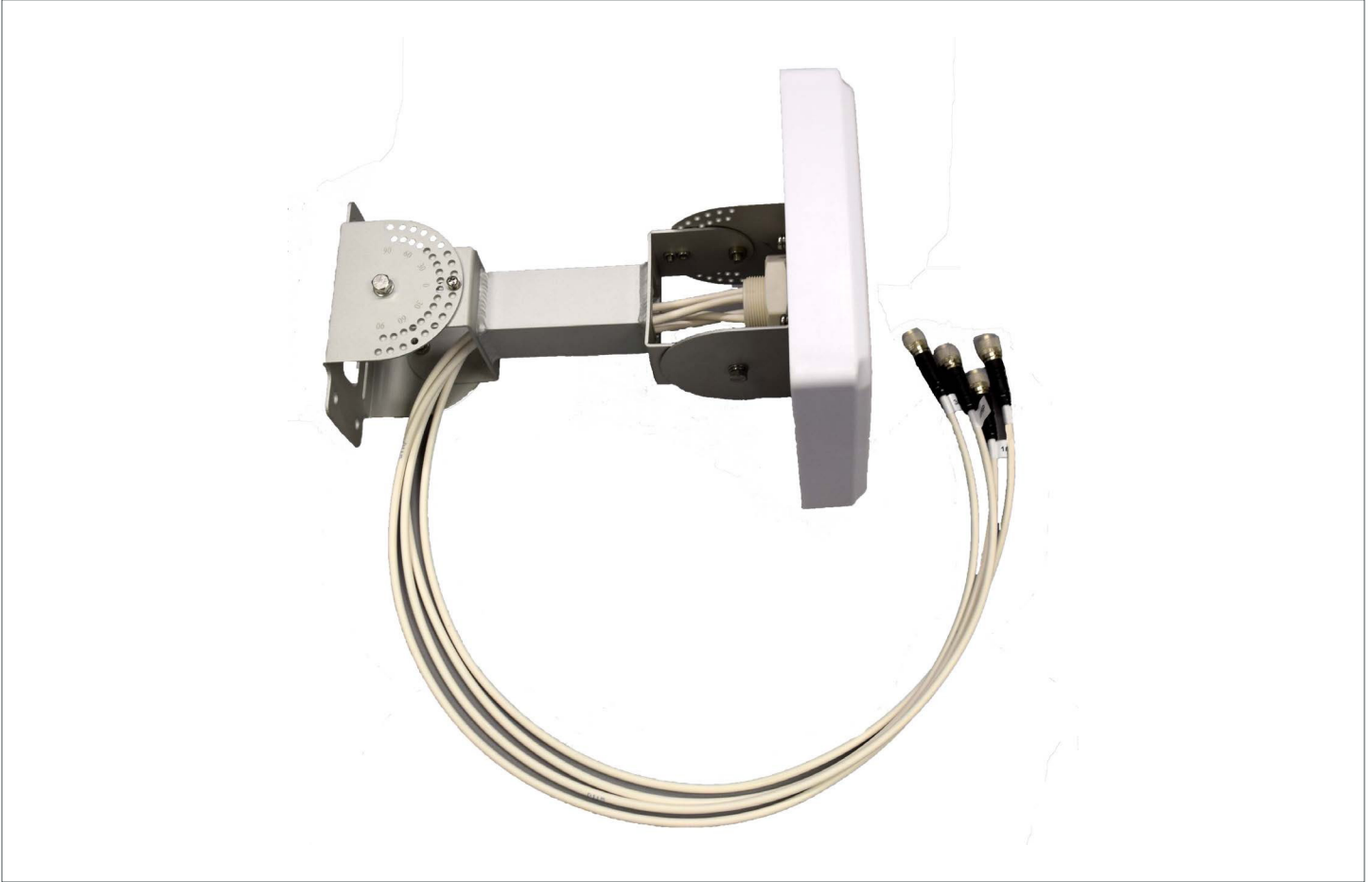
5/6 GHz  
H Plane

— farfield (f=5.1) [1]  
— farfield (f=5.3) [1]  
— farfield (f=5.5) [1]  
— farfield (f=5.7) [1]  
— farfield (f=5.8) [1]



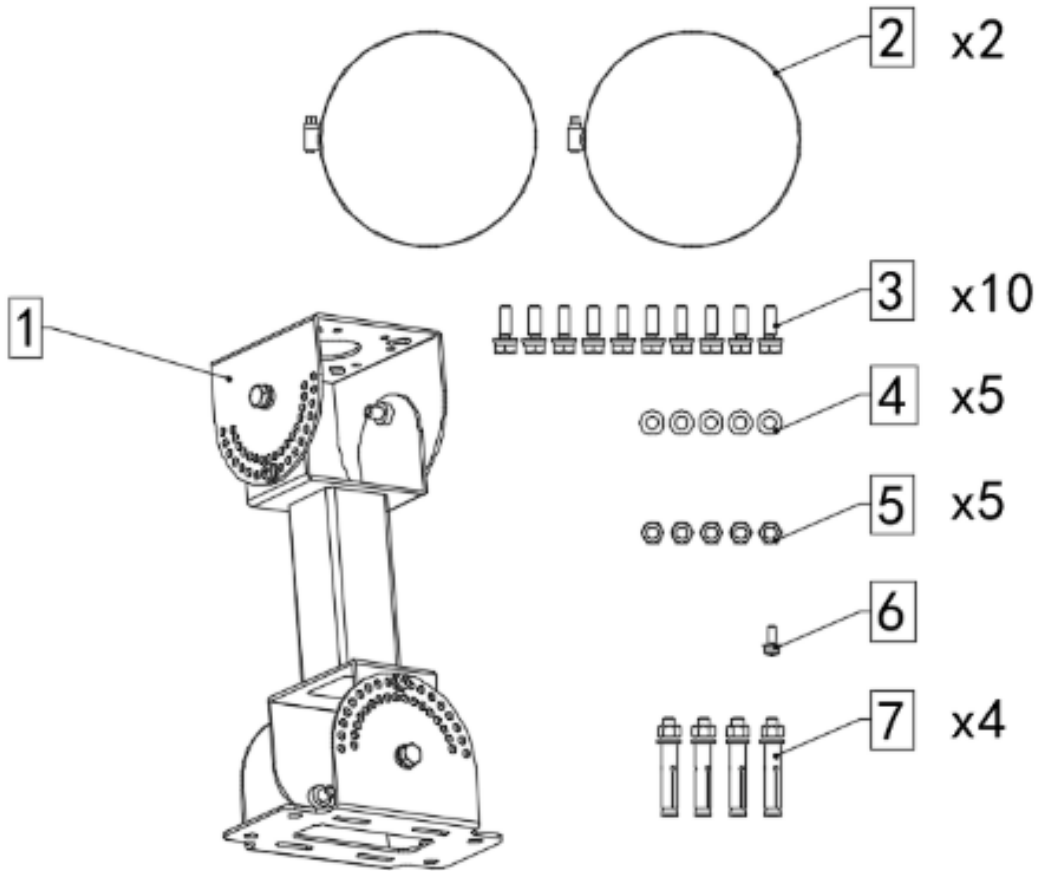
All product specifications are subject to change without notice or obligation.

## Mount Information



*All product specifications are  
subject to change without notice  
or obligation.*

## Accessories



No.	Item
1	10 in. Strong Arm Mount
2	Hose Clamps D32-D127
3	M6 Screws
4	M6 Washers (Spare)
5	M6 Hex Nuts (Spare)
6	M4 Screw (Spare)
7	Expansion Bolts M6 for Wall Mount Option



All product specifications are subject to change without notice or obligation.