

# 2.4/5 GHz 6 dBi Wi-Fi Directional Antenna

with 4 RPTNC Male Connectors

ventev®

Connect, Protect, and Enable™

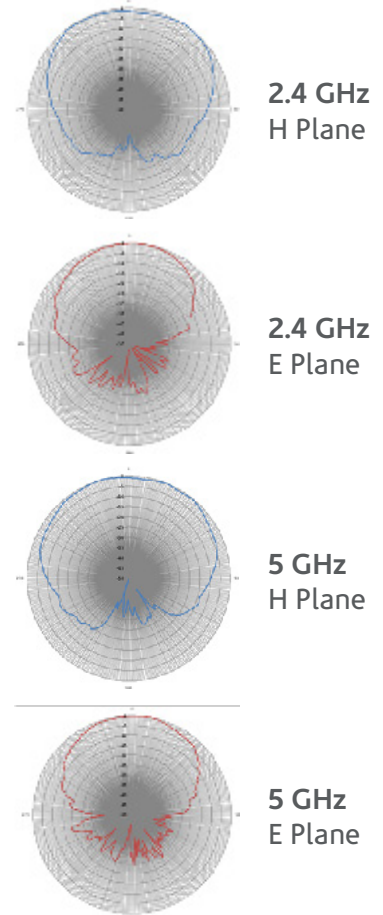
Ventev's 802.11n/ac antennas are designed to operate with any manufacturer's enterprise-class access points (APs). This 2.4/5 GHz 6 dBi directional antenna features four dual-band antennas in a single unit, where each pigtail is 2.4 and 5 GHz. This solution allows engineers to simplify deployments by using only one antenna for dual band access points.

## Specifications

SKU	212207
Manufacturer Part Number	M6060606P1D49602V
Operating Frequency Range	2.4/5 GHz
Gain	6 dBi
Polarization	Vertical
Vertical Beamwidth	60°/70°
Horizontal Beamwidth	105°/125°
VSWR	≤ 2.0
Nominal Impedance	50 Ohms
Max Input Power	20 W
Number of Ports	4
Length of Lead	96 in.
RF Connector	RPTNC Male
Application	Indoor/Outdoor
Operating Temperature	-40° to 158°F
Dimensions	10 x 5.6 x 1.4 in.
Weight	1.2 lbs.
Bandwidth	100/700 MHz
Radome	White/UV ABS



## Radiation Patterns

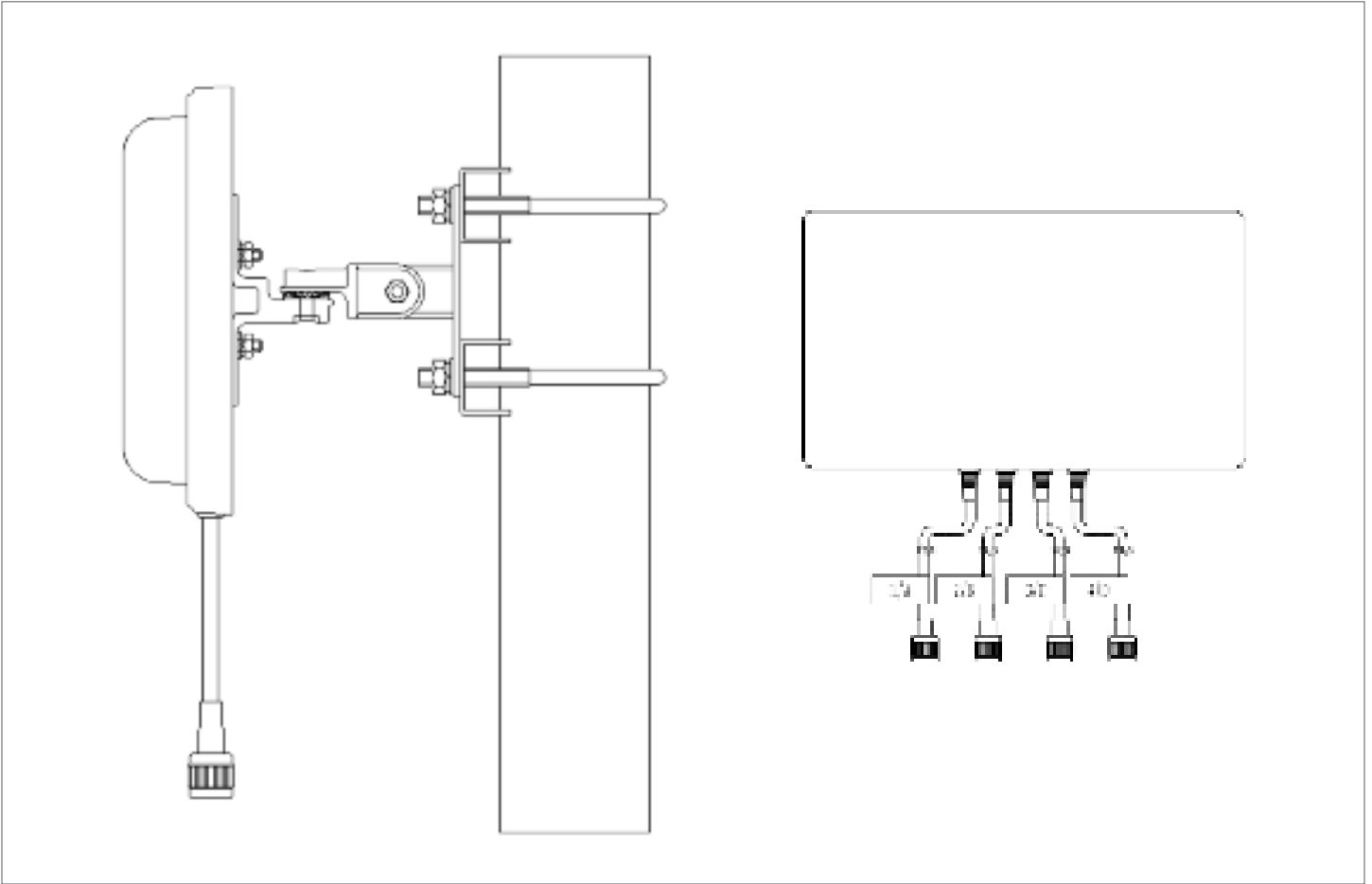


All product specifications are subject to change without notice or obligation.

# 2.4/5 GHz 6 dBi Wi-Fi Directional Antenna

with 4 RPTNC Male Connectors

## Mount Information



## Installation Instructions

- Place the bracket on the back of the panel antenna. Attach the antenna to the mast.
- Use the client to test and adjust the receive signal strength (RSSI) and adjust the azimuth and elevation to maximize the RSSI. Tighten each nut and seal the antenna connector.



All product specifications are subject to change without notice or obligation.