

2.4/5/6 GHz 6 dBi Wi-Fi Omni Antenna

with 8 RPTNC Male Connectors

ventev®

Connect, Protect, and Enable™

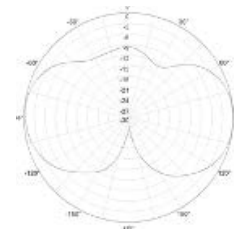
Ventev's 2.4/5/6 GHz 6 dBi Omnidirectional Wi-Fi antenna is designed to operate with Cisco's 9130AXE access point (AP). The antenna's materials and construction make it perfectly suited for warehouse, manufacturing, and outdoor environments where it must withstand moisture, wind, sun, and dust.

Specifications

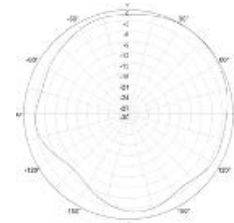
SKU	223126
Manufacturer Part Number	M6060060MO1D83602D
Operating Frequency Range	2.4/5/6 GHz
Gain	6 dBi
Polarization	Vertical
Vertical Beamwidth	45°/20°/20°
Horizontal Beamwidth	360°
VSWR	≤ 2.5
Nominal Impedance	50 Ohms
Max Input Power	10 W
Number of Ports	8
Length of Lead	36 in.
RF Connector	RPTNC Male
Application	Indoor/Outdoor
Operating Temperature	-40° to 158°F
Dimensions	5.9 x 7 in.
Weight	2.86 lbs.
Wind Load	134 mph



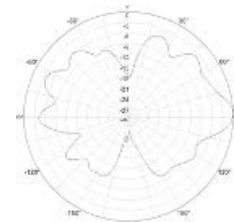
Radiation Patterns



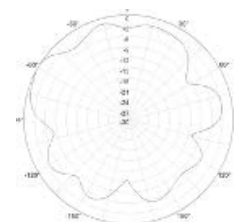
2.4 GHz
E Plane



2.4 GHz
H Plane



5/6 GHz
E Plane



5/6 GHz
H Plane

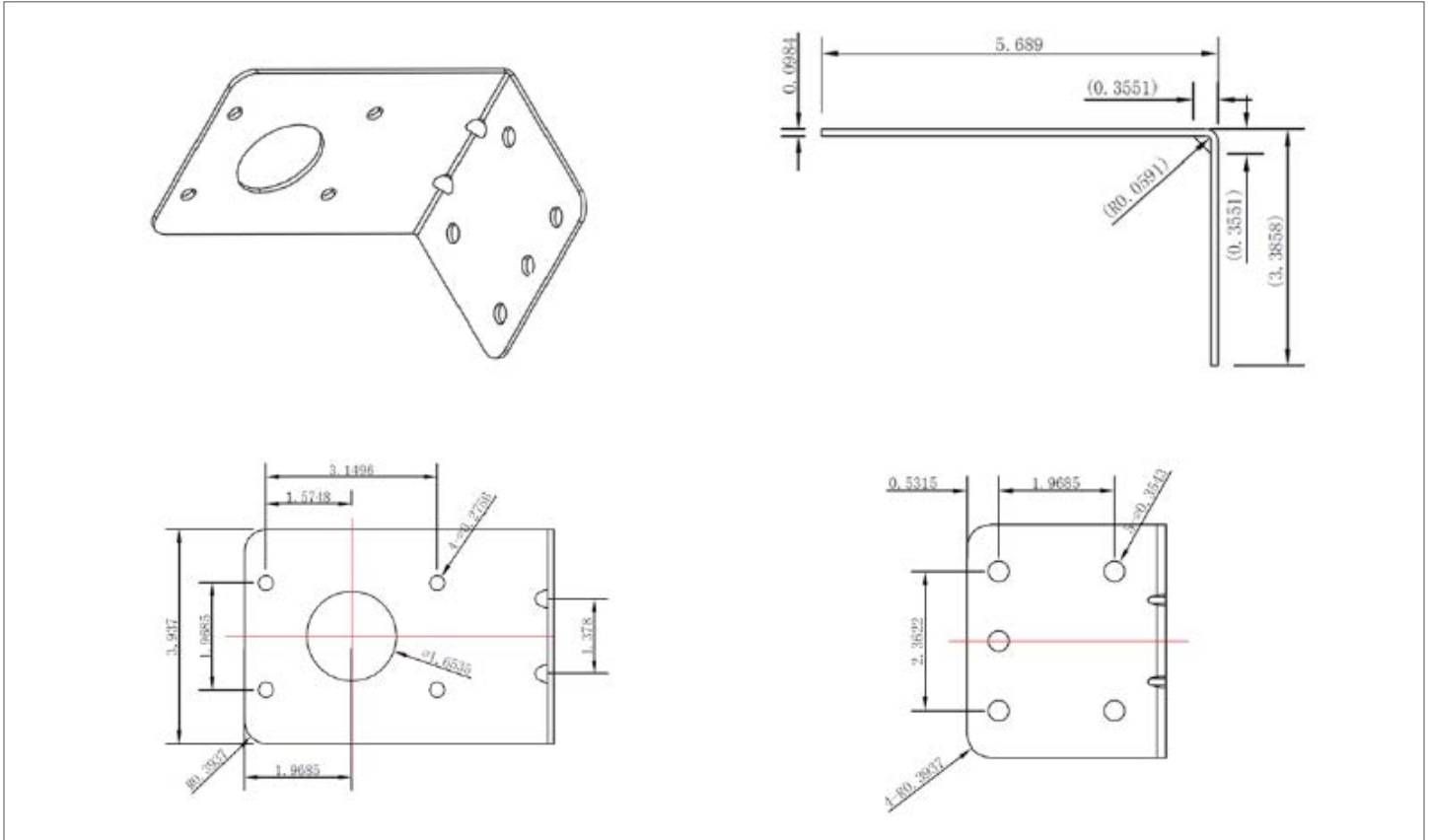


All product specifications are subject to change without notice or obligation.

2.4/5/6 GHz 6 dBi Wi-Fi Omni Antenna

with 8 RPTNC Male Connectors

Mount Information



Mount Specifications

Dimensions	5.68 x 3.93 x 3.38 in.
Weight	1 lb.
Material	Stainless Steel
Mounting Options	Mast or Pole
Mast Diameter	1.37 to 1.97 in.
Maximum Load	25 lbs.
Mounting Hardware Included	L-Bracket, 2x U-Bolts, 2x Nuts, 2x Flat Washers, 2x Lock Washers*

*NOTE: L-bracket can be surface-mounted using separately purchased mounting hardware.



All product specifications are subject to change without notice or obligation.