

# 2.4/5 GHz 8 dBi Directional Antenna

with 6 RPSMA Male Connectors  
and Articulating Mount

ventev®

Connect, Protect, and Enable™

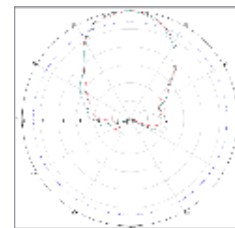
Ventev's 2.4/5 GHz, 8 dBi Directional Antenna with 6 RPSMA Connectors can connect to any manufacturer's 802.11ac Wave I, II or Wi-Fi 6 access points (APs) with six (6) RPSMA Male connector ports. The antenna provides narrow vertical and wide horizontal beamwidths which allows concise coverage for aisles and makes it ideal for warehouse deployments. The antenna ships with the Ventev 10" Strong Arm Mount (SAM). Optional Ventev mounts that are compatible with this antenna include: Industrial Articulating, Universal Articulating and High Strength Universal.



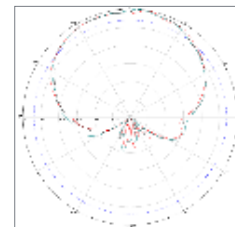
## Specifications

SKU	237129
Manufacturer Part Number	M6080080P1D63620
Operating Frequency Range	2.4/5 GHz
Gain	8 dBi
Polarization	2 × Vertical and 2 × Horizontal
Vertical Beamwidth	45°/35°
Horizontal Beamwidth	90°/115°
VSWR	≤ 2.0 / ≤ 2.0
Nominal Impedance	50 Ohms
Max Input Power	50 W
Number of Ports	6
Length of Lead	35 in.
RF Connector	RPSMA Male
Application	Warehouse
Operating Temperature	-40° to 158°F
Dimensions	10.6 x 6.7 x 1.6 in.
Weight (Includes Mounting Hardware)	5.1 lbs.
Front-to-Back Ratio	≥ 20 dB
Isolation	≥ 22 dB / ≥ 28 dB
Radome	White, UV Resistant ABS
Mounting Options & Pole/Mast Diameter	Wall, Pole or Mast (1.2 - 6.2 in.)

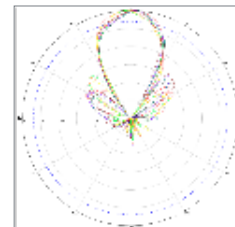
## Radiation Patterns



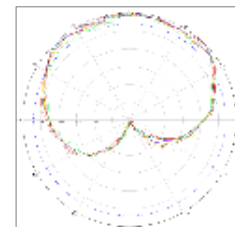
2.4 GHz  
HPBW(3dB):  
48.87 in.



2.45 GHz  
HPBW(3dB):  
49.57 in.



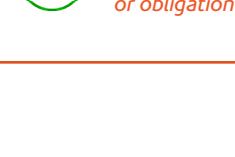
2.5 GHz  
HPBW(3dB):  
47.63 in.



5.1 GHz  
HPBW(3dB):  
29.55 in.



5.2 GHz  
HPBW(3dB):  
26.92 in.



5.3 GHz  
HPBW(3dB):  
23.86 in.



5.5 GHz  
HPBW(3dB):  
30.14 in.



5.6 GHz  
HPBW(3dB):  
26.48 in.



5.7 GHz  
HPBW(3dB):  
24.82 in.



5.8 GHz  
HPBW(3dB):  
23.28 in.



5.9 GHz  
HPBW(3dB):  
22.74 in.



All product specifications are subject to change without notice or obligation.

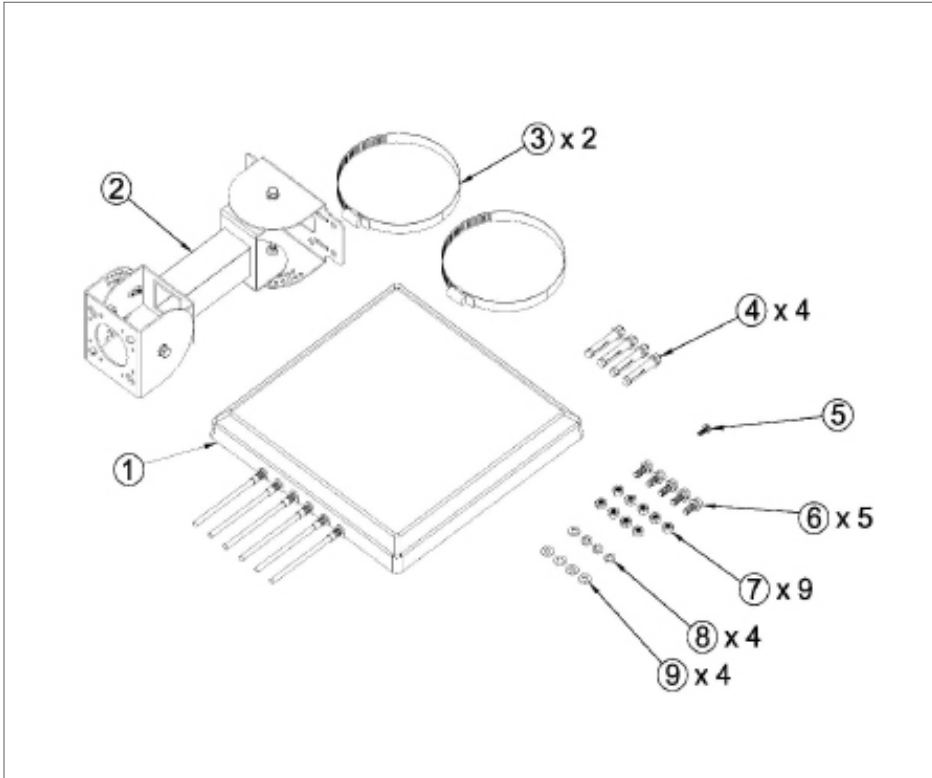
# 2.4/5 GHz 8 dBi Directional Antenna

with 6 RPSMA Male Connectors  
and Articulating Mount

ventev

Connect, Protect, and Enable™

## Mount Information



## Features & Benefits

- Designed to provide high performance Wi-Fi
- Large horizontal beamwidth provides a wide zone of coverage
- Ships with articulating mount hardware to support wall or pole/mast mounting.

## Diagram Contents

1	Antenna
2	10 in. Strong Arm Mount
3	Worm-Gear Type Hose Clamps (Each has a range of 30-157mm)
4	M6 Screws
5	M6 Split-lock Washers
6	M6 Flat Washers
7	M4 Screws
8	Plastic Expansion Anchors (For wall mount option)
9	Stainless Steel Expansion Bolts (For wall mount option)
10	M6 SEMS Screws
11	Spare M6 SEMS Screw
12	M6 Hex Nuts



All product specifications are subject to change without notice or obligation.