

TerraWave® 746-896 MHz 11.2dBi LTE Yagi Antenna

with N Female Connectors

Ventev's TerraWave® Yagi antenna is an ideal antenna for application in DAS, Utilities, Oil and Gas, Mining, Industrial, Transportation, Irrigation, and many more. This narrow beam high gain (11.2 dBi) antenna supports 700 MHz, 800 MHz and 850 MHz and widely popular in public safety DAS in donor and elevator shaft applications. This Yagi is highly durable with its rugged aluminum construction and higher wind-rating makes it suitable for any outdoor environments.

Specifications

SKU	250469
Manufacturer Part Number	T08011YD11206
Operating Frequency Range	746-896 MHz
Polarization	Linear
Horizontal Beamwidth	48°
Vertical Beamwidth	40°
Gain	11.2 dBi
VSWR	≤ 1.5
Max Input Power	100 W
Nominal Impedance	50 Ohms
Front-to-Back Ratio	≥15 dBi
Number of Ports	1
Length of Lead	25 in.
RF Connector	N-Female
Application	Outdoor
Operating Temperature	-40° to 158°F
Dimensions	33.5 x 7.5 in.
Weight	1 lb.
Mounting Options	Pole or Mast (1.6 in. to 2.0 in.)
Wind Load	125 mph



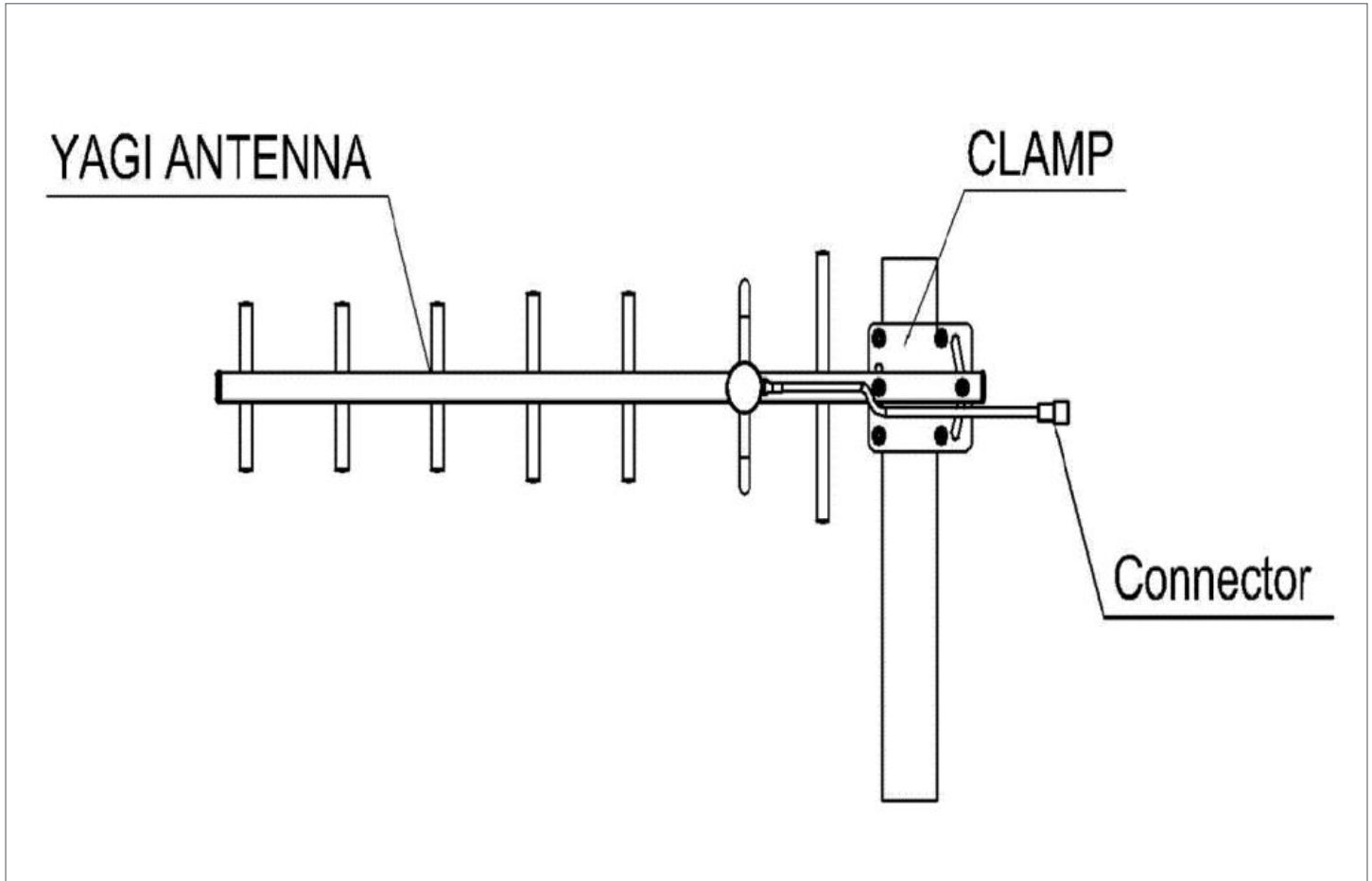
Features & Benefits

- High gain (11.2 dBi) Yagi antenna covering the 746-896 MHz frequency range.
- Highly durable and rugged aluminum construction with 9-element design.
- Applications in DAS, Utilities, Oil & Gas, Mining, Industrial, Transportation, Irrigation, and many more.
- Includes mounting bracket and hardware.
- Supports both vertical or horizontal polarization.



All product specifications are subject to change without notice or obligation.

Mount Information



Polarization Information

Vertical Polarization:

As shown in the picture below, all vertical antenna grids are pointing to ground.

Horizontal Polarization:

1. Loosen the clamp and pull out antenna.
2. Rotate the clamp 90° and push back onto the antenna. Tighten the clamp firmly.
3. Install the antenna so all grids are pointing parallel to the ground (horizontally).



All product specifications are
subject to change without notice
or obligation.