

2.4/5 GHz 6 dBi MIMO Quad Patch Antenna

with 6 RPTNC Male Connectors

ventev®

Connect, Protect, and Enable™

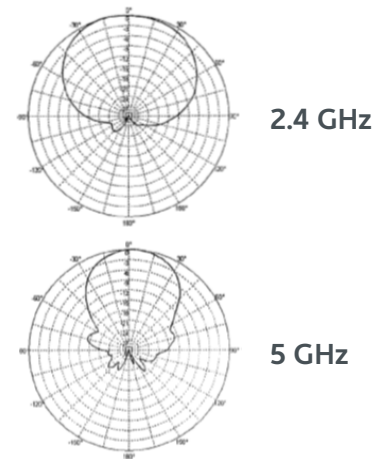
Ventev's 2.4/5 GHz 6 dBi Quad Patch multiple-input and multiple-output (MIMO) antenna comes with six RPTNC Plug connectors and 36 in. cables. With dual-band leads, each cable supports both 2.4 and 5 GHz, making it an ideal antenna to support demanding outdoor applications in 802.11ac Waves I and II wireless communication systems.

Specifications

SKU	261287
Manufacturer Part Number	M60600060P3D63602
Operating Frequency Range	2.4/5 GHz
Gain	6 dBi
Polarization	Vertical
Vertical Beamwidth	80°±20°
Horizontal Beamwidth	45°±20°
VSWR	≤ 2.0 / ≤ 2.5
Nominal Impedance	50 Ohms
Max Input Power	100 W
Number of Ports	6
Length of Lead	36 in.
RF Connector	RPTNC Male
Application	Indoor/Outdoor
Operating Temperature	-40° to 140°F
Dimensions	9.2 x 9.0 x 1.1 in.
Weight	2.65 lbs.



Radiation Patterns

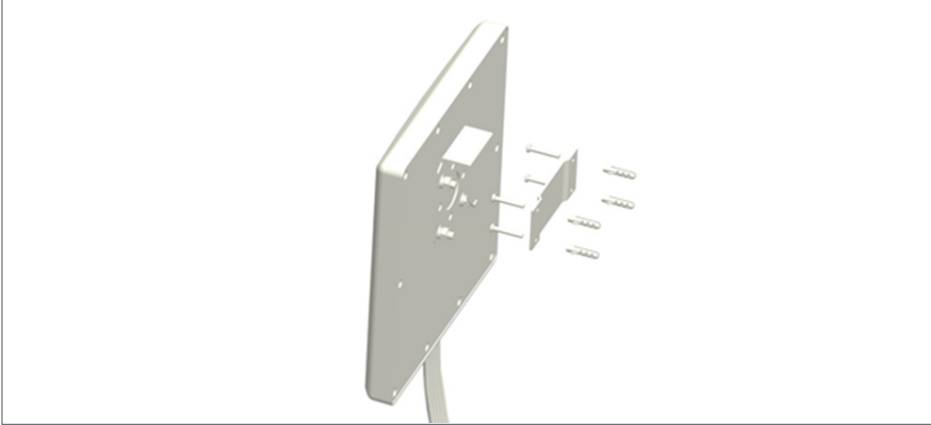


All product specifications are subject to change without notice or obligation.

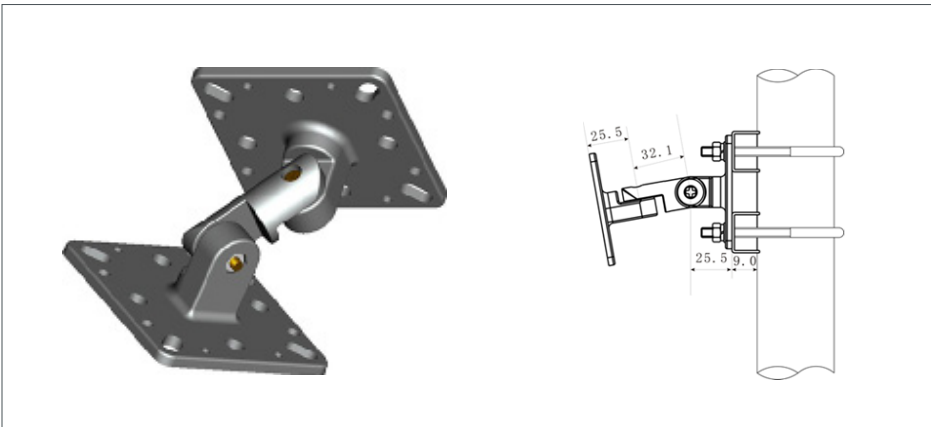
2.4/5 GHz 6 dBi MIMO Quad Patch Antenna

with 6 RPTNC Male Connectors

Mount Information



Wall Mount with Screws



Mast Mount with Articulating Mount: Articulating Mount can also be wall mounted.



All product specifications are subject to change without notice or obligation.