

# TerraWave® 2.4/5 GHz 6 dBi Wi-Fi Omni Antenna

with 8 RPTNC Male Connectors

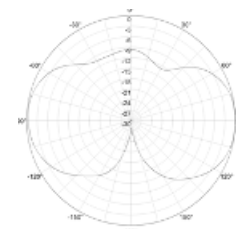
Ventev's TerraWave® 2.4/5 GHz 6 dBi Omnidirectional Wi-Fi Antenna is designed to operate with Cisco's 9130AXE access point (AP). The antenna's materials and construction make it perfectly suited for warehouse, manufacturing, and outdoor environments where it must withstand moisture, wind, sun, and dust.

## Specifications

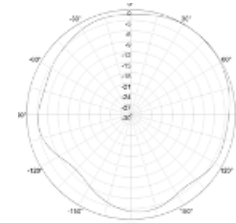
|                           |                   |
|---------------------------|-------------------|
| SKU                       | 272482            |
| Manufacturer Part Number  | M6060060MO1D83602 |
| Operating Frequency Range | 2.4/5 GHz         |
| Gain                      | 6 dBi             |
| Polarization              | Vertical          |
| Vertical Beamwidth        | 45°/20°           |
| Horizontal Beamwidth      | 360°              |
| VSWR                      | ≤ 2.5 / ≤ 2.5     |
| Nominal Impedance         | 50 Ohms           |
| Max Input Power           | 10 Watts          |
| Number of Ports           | 8                 |
| Length of Lead            | 36 in.            |
| RF Connector              | RPTNC Male        |
| Application               | Indoor/Outdoor    |
| Operating Temperature     | -40° to 158°F     |
| Dimensions                | 5.9 x 7 in.       |
| Weight                    | 2.86 lbs.         |
| Wind Load                 | 134 mph           |



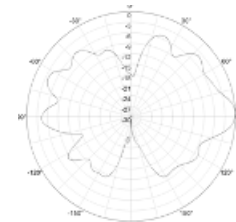
## Radiation Patterns



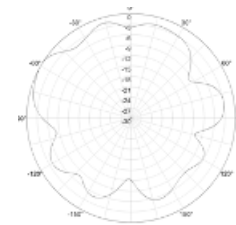
Orientation  
2.4 GHz  
E Plane



Orientation  
2.4 GHz  
H Plane



Orientation  
5 GHz  
E Plane



Orientation  
5 GHz  
H Plane

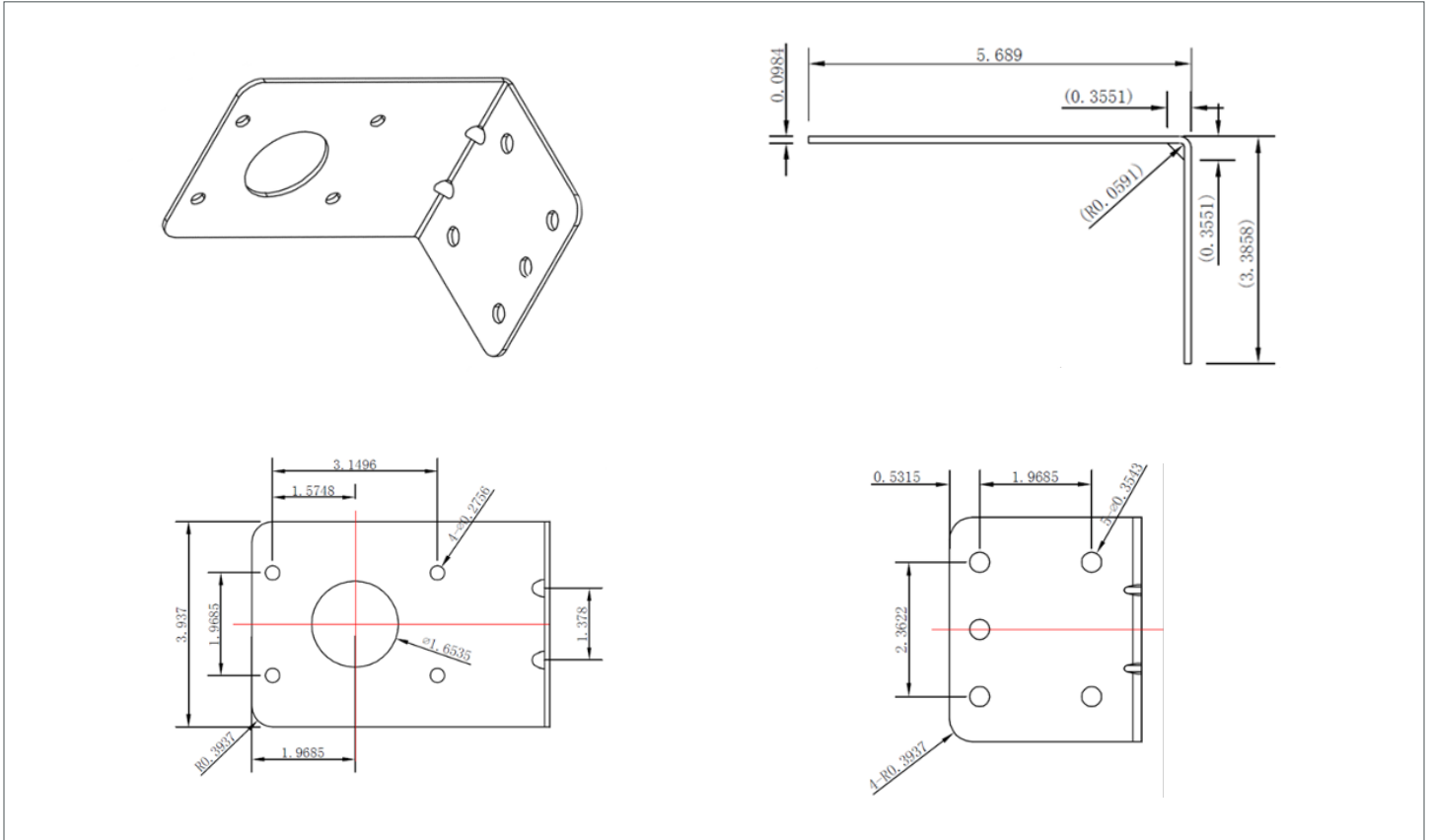


All product specifications are subject to change without notice or obligation.

# TerraWave® 2.4/5 GHz 6 dBi Wi-Fi Omni Antenna

with 8 RPTNC Male Connectors

## Mount Information



## Mount Specifications

|                            |  |
|----------------------------|--|
| Dimensions                 | 5.68 x 3.93 x 3.38in.  |
| Weight                     | 1 lb.  |
| Material                   | Stainless Steel  |
| Mounting Options           | Mast or Pole   |
| Mast Diameter              | 1.37 to 1.97 in.   |
| Maximum Load               | 25 lbs.  |
| Mounting Hardware Included | L-Bracket, 2x U-Bolts, 2x Nuts,<br>2x Flat Washers, 2x Lock Washers* |

\*NOTE: L-bracket can be surface-mounted using separately purchased mounting hardware.



All product specifications are subject to change without notice or obligation.