

Multiband 9-in-1 VenDome™ Omnidirectional Antenna

9 Port, 4x 617-6000 MHz and 1x GNSS/GPS with SMA Male, 4x Dual Band Wi-Fi with RPSMA Male

ventev®

Connect, Protect, and Enable™

Ventev's Multiband 9-in-1 VenDome™ Omnidirectional Antenna comes with SMA leads for Cellular/GPS and RPSMA leads for Wi-Fi. This antenna has 4x4 ultra-wideband (617-6000 MHz) to support MIMO/diversity at 4G/5G; 4x dual band 2.4/5 GHz Wi-Fi, and a GNSS/GPS antenna w/ 26 dB gain LNA. It is ideal for indoor and outdoor rated IP69K design with a UV-stabilized radome. This antenna is compatible with a wide array of mobile and industrial gateways.

Available Models

Description	MFG Part #	SKU
With 8 SMA Male & 1 RPSMA Male Leads (4 Cellular Cables, 4 Wi-Fi Cables, + 1 GNSS/GPS)	VM-UWG4410D-SMA	272617

4G/5G & Wi-Fi Electrical Specifications

Cable Number	Cables 1-4: 4G/5G Elements				Cables 5-8: Wi-Fi Elements	
	Operating Frequency Range	617-960 MHz	1690-2700 MHz	3300-4200 MHz	4900-6000 MHz	2400-2500 MHz
Polarization	Vertical					
Horizontal Beamwidth	360°	360°	360°	360°	360°	360°
Gain	4 dBi	6 dBi	7 dBi	8 dBi	5 dBi	6 dBi
VSWR	≤ 2.0	≤ 2.0	≤ 2.0	≤ 2.0	≤ 2.0	≤ 2.0
Port-to-Port Isolation	> 10 dBm	> 10 dBm	> 10 dBm	> 10 dBm	> 12 dBm	> 12 dBm
Nominal Impedance	50 Ohms					

GNSS/GPS Electrical Specifications

Cable Number	Cable 9: GNSS/GPS
Operating Frequency Range	1562-1612 MHz
Gain	26 dB LNA
VSWR	< 2.0 ± 4 MHz
Out of Band Rejection	> 40 dB
Typical Noise Figure	-2.7 dB
Operating Voltage	3-5 VDC
Typical Current	15 mA



Features & Benefits

- Multiband 9-in-1 VenDome™ omnidirectional antenna with SMA leads for Cellular/GPS and RPSMA for Wi-Fi.
- 4x4 ultra-wideband (617-6000 MHz) to support MIMO/diversity at 4G/5G; 4x dual band 2.4/5 GHz Wi-Fi and a GNSS/GPS antenna with 26 dB gain LNA.
- Indoor and outdoor rated IP69K design with UV stabilized radome.
- Compatible with wide array of cellular and industrial gateways.



All product specifications are subject to change without notice or obligation.

Multiband 9-in-1 VenDome™ Omnidirectional Antenna

9 Port, 4x 617-6000 MHz and 1x GNSS/GPS with SMA Male,
4x Dual Band Wi-Fi with RPSMA Male

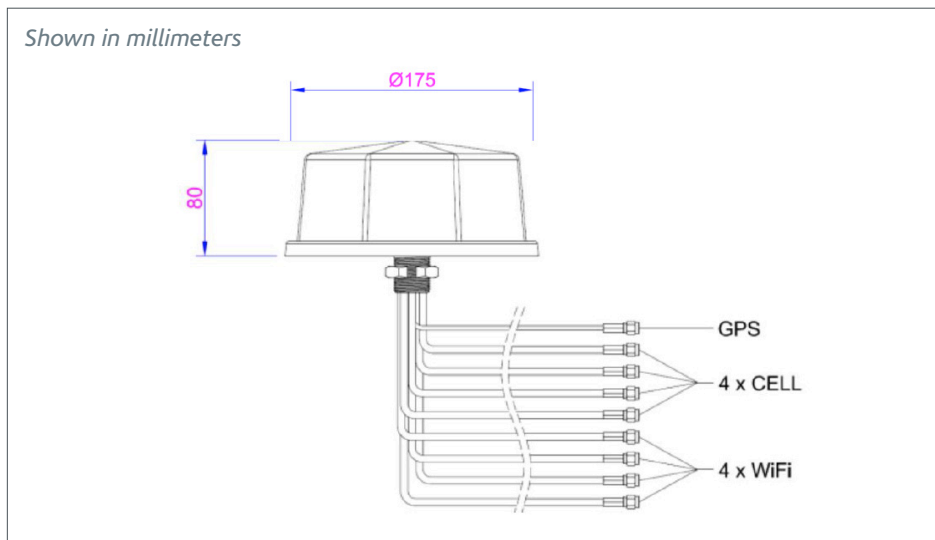
ventev®

Connect, Protect, and Enable™

Mechanical Specifications

Dimensions	7 in. diameter, 3.15 in. high (175 x 80 mm)
RF Connector	4 Cellular Cables: SMA Male 4 Wi-Fi Cables: RPSMA Male 1 GNSS/GPS Cable: SMA Male
Number of Ports	9
Pigtail/Lead	4 Cellular Cables: RG58 4 Wi-Fi Cables: RG58 1 GNSS/GPS Cable: RG174
Length of Lead	17 ft. (5.18 m)
Radome	White UV Stabilized ABS (black option available with 25 unit MOQ by contacting Ventev sales)
Application	Indoor/Outdoor
Mounting Options	Wall or Ceiling
Operating Temperature	-40° to 176°F (-40° to 80°C)
Ingress Protection	IP69K
Weight	4 lbs. (1.8 kg)

Dimensions



Installation Instructions

- Mount through a 1 inch hole using the stainless nut (silicone O-ring is included).
- Use adhesive backed sealing pad in on the back to minimize shaking.

Additional Accessories



Universal L-Bracket Mount for Omni Antennas

MFG Part #: VEN-ULBD-0214
SKU #: 274461



2-Leg Magnetic Heavy-Duty Mount for VenDome™ Antenna

MFG Part #: VEN-MGMT-2LEG
SKU #: 600876



3-Leg Magnetic Heavy-Duty Mount for VenDome™ Antenna

MFG Part #: VEN-MGMT-3LEG
SKU #: 600881



All product specifications are subject to change without notice or obligation.