

# Universal L-Bracket Mount

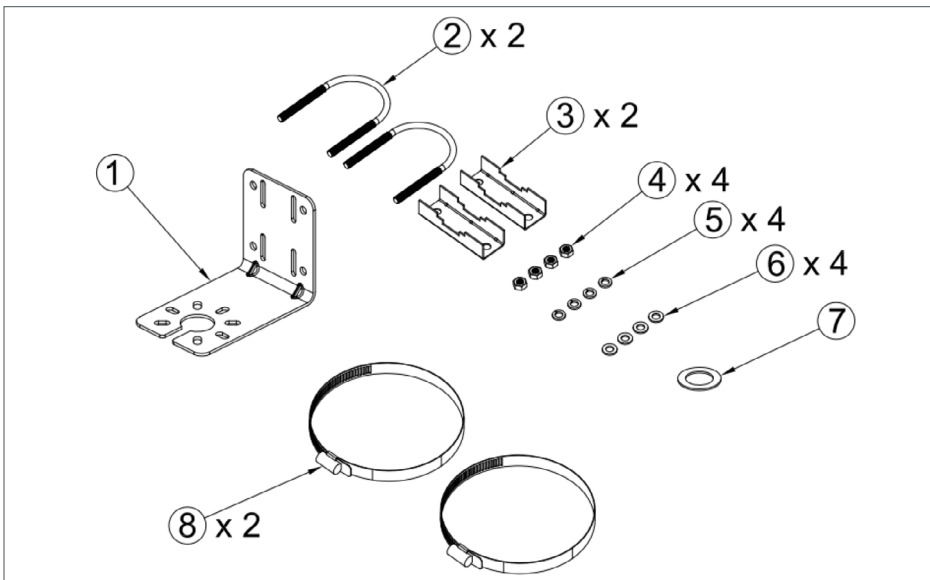
for Omni Antennas

Ventev's Universal L-Bracket is designed to work with most dome and outdoor omnidirectional antennas. This bracket is suitable for harsh environments. It can be wall or pole mounted for flexibility in location.

## Specifications

SKU	274461
Manufacturer Part Number	VEN-ULBD-0214
Application	Indoor/Outdoor
Dimensions	5.11 x 3.14 x 3.74 in. (130 x 80 x 95 mm)
Mounting Options	Wall, Mast, or Pole

## Components



## Diagram Contents

- 1 L-Bracket (1x)
- 2 U-Bolt 2in. OD (2x)
- 3 Pole Clamp Bracket (2x)
- 4 Nuts for U-bolt (4x)
- 5 Lock Washer for U-bolt (4x)
- 6 Flat Washer for U-bolt (4x)
- 7 1 in. Flat Washer (1x)
- 8 Pole Clamps, Stainless Steel (2x)



## Features & Benefits

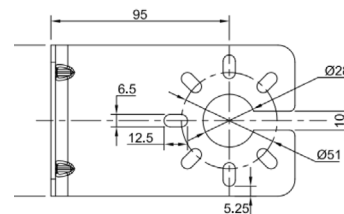
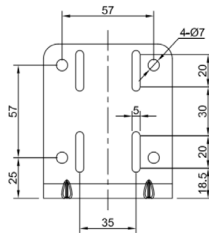
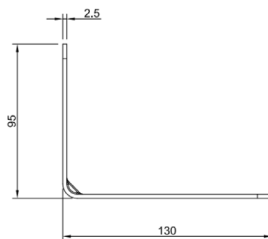
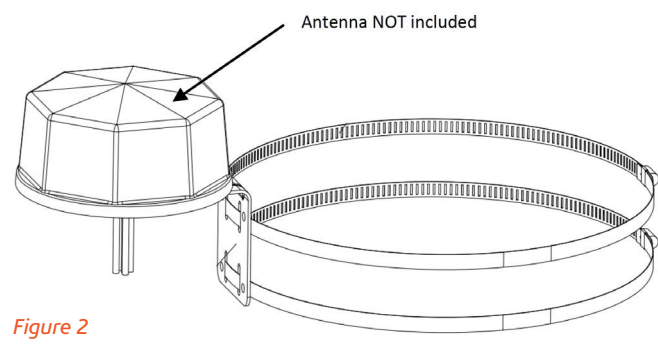
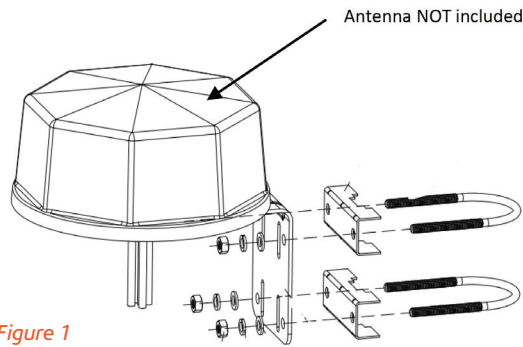
- Universal L-Bracket works with VenDome and VenSlim line of antennas as well as most mobile antennas.
- Heavy duty construction suitable for harsh environment deployments.
- Mounts to wall or pole/mast from 2 to 14 in. outer diameter (OD).
- Slotted L-bracket offers quick antenna mounting.



All product specifications are subject to change without notice or obligation.

## Installation Diagrams

Shown in millimeters



## Installation Instructions

### For Pole and Mast Mounting

- For 2 in. OD pipe/pole, clamp L-bracket (item #1) to the pipe/pole using supplied U-bolts (item #2) and hardware. Use pole clamp bracket (item #3) against the pipe/pole as shown in Figure 1. Firmly tighten hardware.

### For Pole/Mast Larger Than 2 in. OD

- Use supplied stainless steel band clamps (item #8) and pass through slots on the L-bracket as shown in Figure 2. Firmly tighten screw on the band clamp.

### For Wall Mounting

- Secure L-bracket (item #1) using appropriate ¼ in. screw and hardware to wall.

Note: Installer to supply appropriate wall hardware.

### Antenna Mounting

- Remove nut from the antenna stud, slide leads through large open slot on the bracket, and pass antenna stud through mounting hole.
- Re-insert the antenna nut (and use flat washer if needed) and firmly tighten it.



All product specifications are subject to change without notice or obligation.