

TerraWave® 2.4/5 GHz 4 dBi Wi-Fi Patch Antenna

with 4 RPTNC Male Connectors

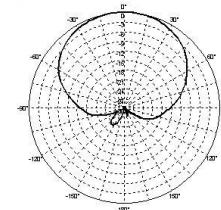
Ventev's TerraWave® 2.4/5 GHz 4 dBi Quad Patch Antenna provides narrow beamwidth with low gain. This antenna is an ideal solution for lower ceilings and multi-level locations that need to limit RF interference and reduce beam "bounce." Deployment is further simplified by the multiple mounting options: the antenna ships with Ventev's Universal Articulating Mount (SKU 384807), and the back panel hole patterns are also compatible with Ventev's Cisco Co-Locating Mount (SKU 568600) (sold separately).

Specifications

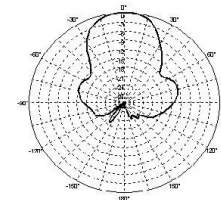
| | |
|---------------------------|---------------------|
| SKU | 515085 |
| Manufacturer Part Number | M6040040P23602 |
| Operating Frequency Range | 2.4/5 GHz |
| Polarization | Vertical/Horizontal |
| Horizontal Beamwidth | 60°/45° |
| Vertical Beamwidth | 50°/35° |
| Gain | 4 dBi |
| VSWR | $\leq 2 / \leq 2.5$ |
| Max Input Power | 100 W |
| Nominal Impedance | 50 Ohms |
| Front-to-Back Ratio | ≥ 18 dBi |
| Number of Ports | 4 |
| Length of Lead | 36 in. |
| RF Connector | RPTNC Male |
| Application | Indoor/Outdoor |
| Operating Temperature | -40° to 140°F |
| Dimensions | 9.2 x 9 x 1.1 in. |
| Weight | 2.65 lbs. |
| Mounting Options | Wall or Mast |
| Radome | White ABS |



Radiation Patterns



2.4 GHz



5 GHz

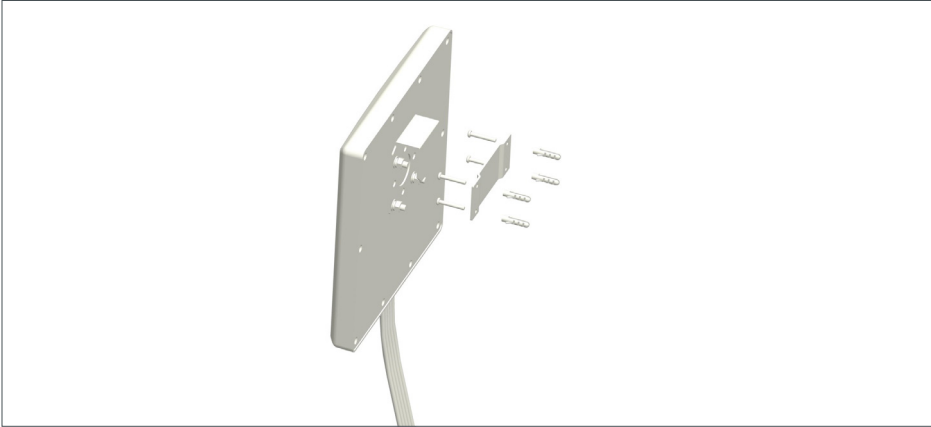


All product specifications are subject to change without notice or obligation.

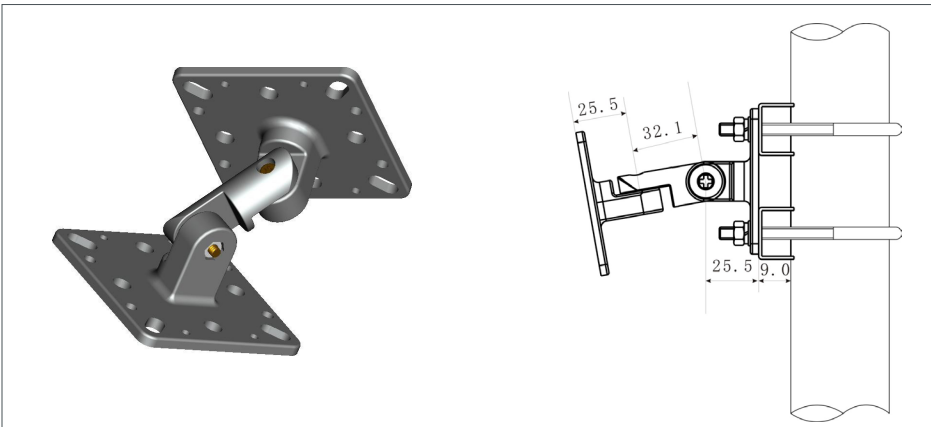
TerraWave® 2.4/5 GHz 4 dBi Wi-Fi Patch Antenna

with 4 RPTNC Male Connectors

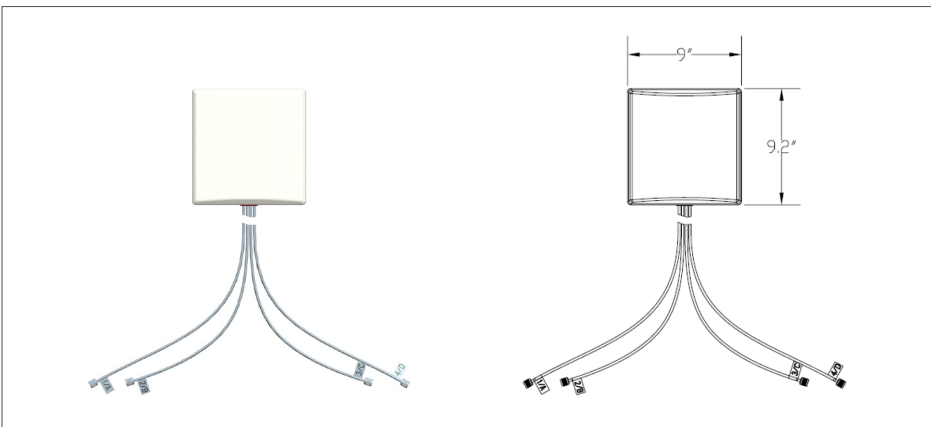
Antenna & Mount Information



Wall Mount with Screws



Mast Mount with Articulating Mount: Articulating mount can also be wall mounted



Dimensions



All product specifications are subject to change without notice or obligation.