

TerraWave® 2.4/5 GHz 6 dBi Wi-Fi Patch Antenna

with 4 RPSMA Male Connectors

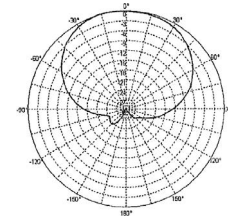
Ventev's TerraWave® 2.4/5 GHz 6 dBi Quad Patch Antenna is designed to be operated with any manufacturer's enterprise-class 802.11n MIMO access points. The antenna comes with four RPSMA Plug connectors and 36" cables. With dual-band leads, each cable supports both 2.4 and 5 GHz, making it an ideal and aesthetically pleasing antenna to support demanding outdoor applications in next-generation IEEE 802.11n wireless communication systems.

Specifications

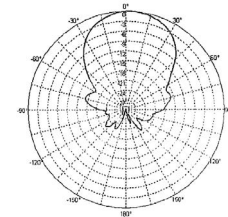
SKU	527504
Manufacturer Part Number	M6060060MP1D43620
Operating Frequency Range	2.4/5 GHz
Polarization	Vertical
Horizontal Beamwidth	80° ± 20° / 45° ± 20°
Vertical Beamwidth	80° ± 20° / 45° ± 20°
Gain	6 dBi
VSWR	≤ 2.0 / ≤ 2.5
Max Input Power	100 W
Nominal Impedance	50 Ohms
Front-to-Back Ratio	≥ 18 dBi
Number of Ports	4
Length of Lead	36 in.
RF Connector	RPSMA Male
Application	Indoor/Outdoor
Operating Temperature	-40° to 140°F
Dimensions	9.2 x 9.0 x 1.1 in.
Weight	2.65 lbs.
Mounting Options	Wall, Mast, or Pole



Radiation Patterns



2.4 GHz



5 GHz

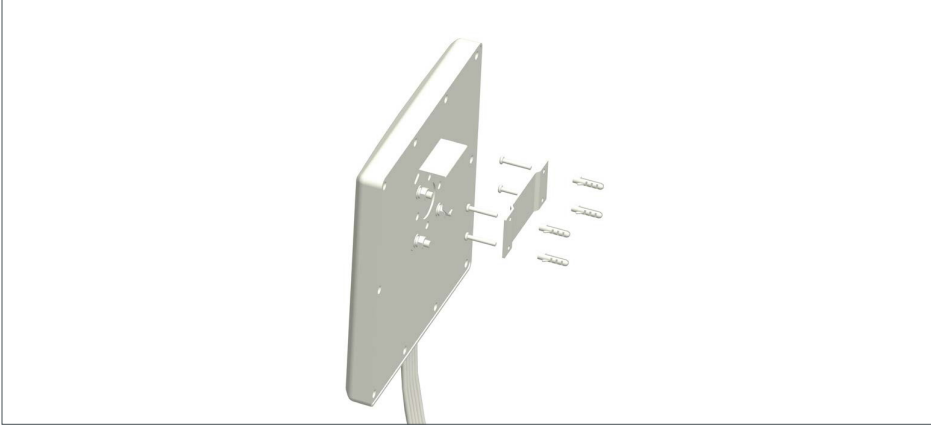


All product specifications are subject to change without notice or obligation.

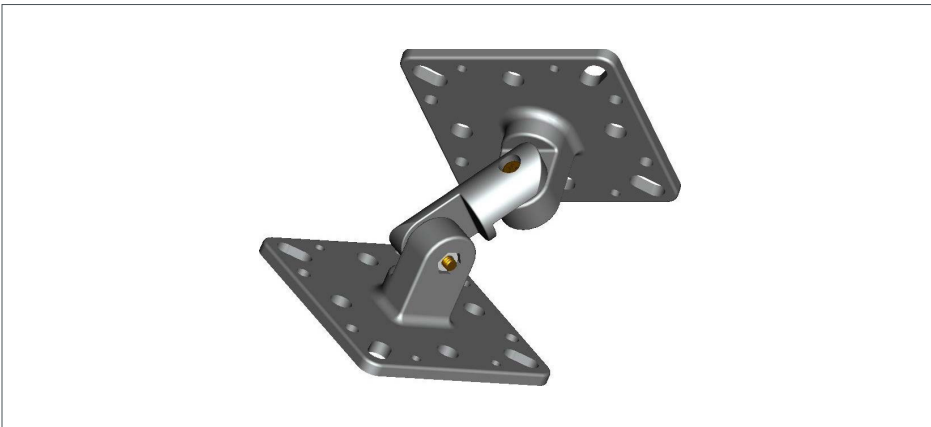
TerraWave® 2.4/5 GHz 6 dBi Wi-Fi Patch Antenna

with 4 RPSMA Male Connectors

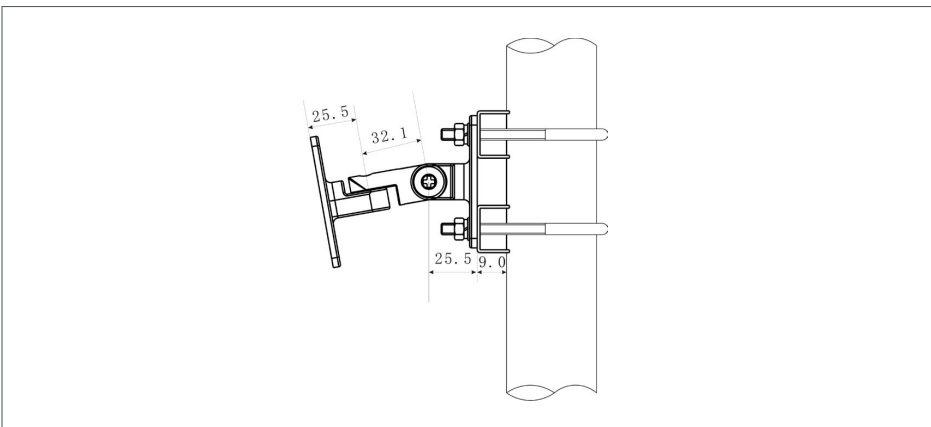
Mount Information



Wall Mount with Screws



Articulating Mount



Mast Mount with Articulating Mount: Articulating Mount can also be wall mounted

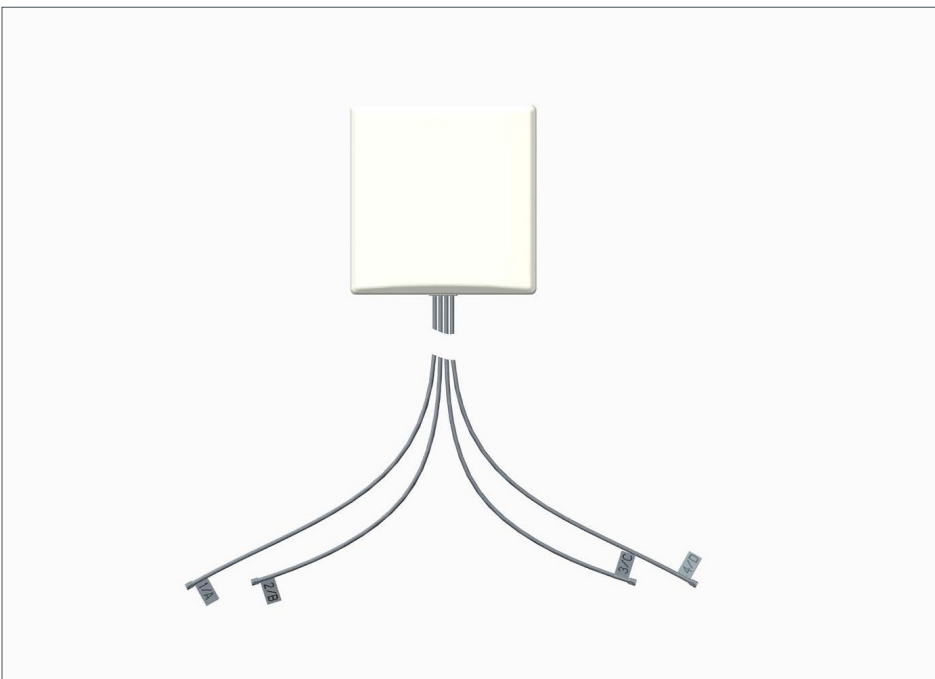
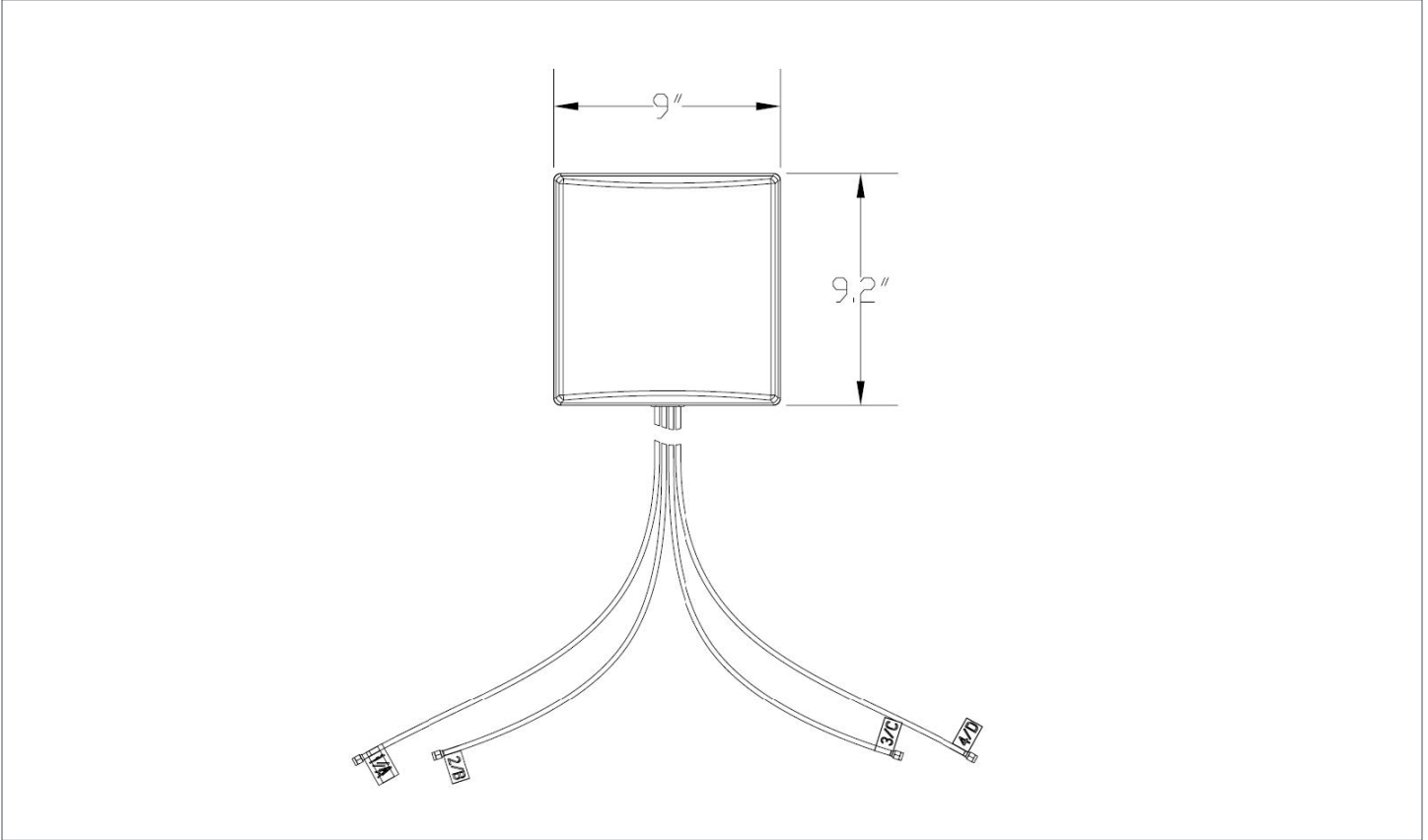


All product specifications are subject to change without notice or obligation.

TerraWave® 2.4/5 GHz 6 dBi Wi-Fi Patch Antenna

with 4 RPSMA Male Connectors

Antenna Information & Dimensions



All product specifications are subject to change without notice or obligation.