

2.4/5 GHz 6 dBi MIMO Omni Antenna

with 3 N Female Connectors

ventev

Connect, Protect, and Enable™

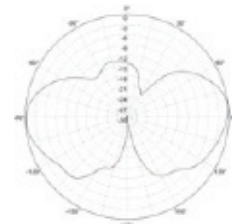
Ventev's 6 dBi outdoor multiple-input and multiple-output (MIMO) omnidirectional antenna is designed to operate enterprise class 802.11n MIMO access points. With dual-band leads, each cable supports both 2.4 and 5 GHz, making it an ideal and aesthetically pleasing antenna to support demanding outdoor applications in next generation IEEE 802.11n wireless communication systems. The rugged enclosure makes the antenna ideal for a warehouse or manufacturing environment. Includes an L-Bracket for mast and or wall mounting. Industrial beam clamps are available as an additional option.

Specifications

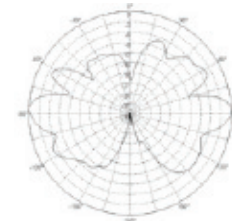
SKU	530263
Manufacturer Part Number	M6060060MO1D33606
Operating Frequency Range	2.4/5 GHz
Gain	6 dBi
Polarization	Vertical
Vertical Beamwidth	35°/25°
Horizontal Beamwidth	360°
VSWR	1.5-1.8
Nominal Impedance	50 Ohms
Max Input Power	10 W
Number of Ports	3
Length of Lead	36 in.
RF Connector	N Female
Application	Outdoor
Operating Temperature	-40° to 158°F
Dimensions	5.9 x 7 in.
Weight	2.64 lbs.
Mast Mount Diameter	1.37 – 1.97 in.
Wind Rating	134 mph



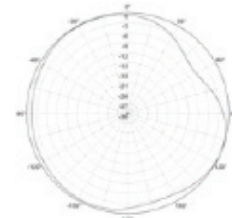
Radiation Patterns



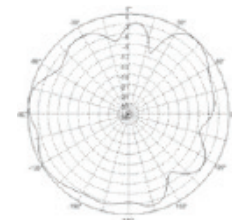
2.4 GHz
E Plane



5 GHz
E Plane



2.4 GHz
H Plane



5 GHz
H Plane

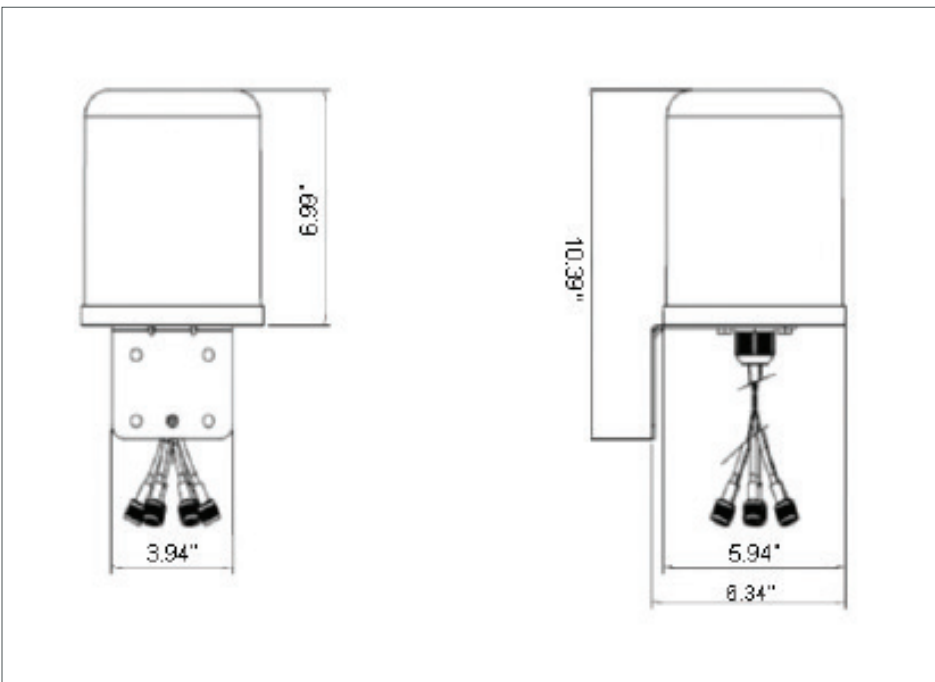
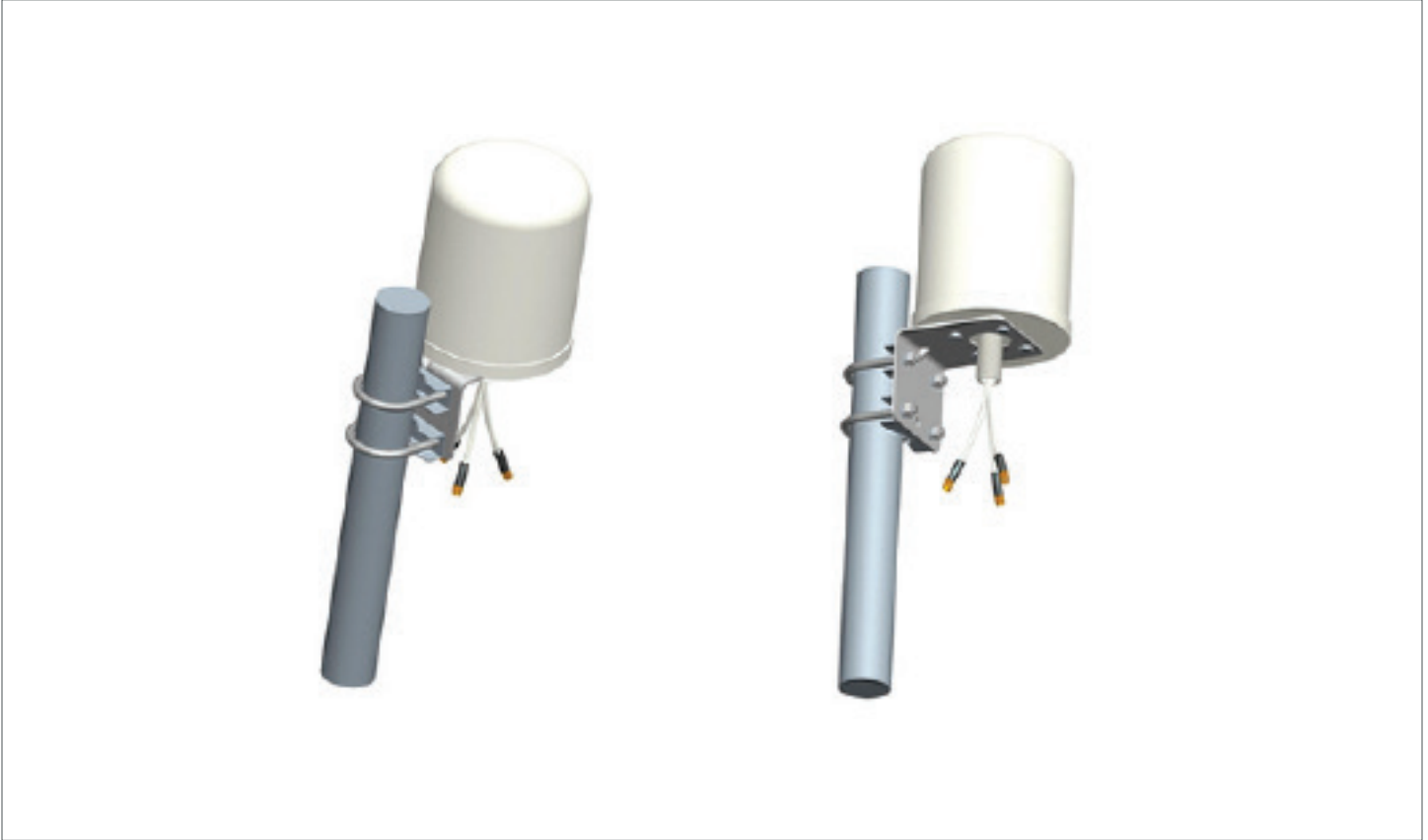


All product specifications are subject to change without notice or obligation.

2.4/5 GHz 6 dBi MIMO Omni Antenna

with 3 N Female Connectors

Mount Information



All product specifications are subject to change without notice or obligation.