

TerraWave® 2.4/5 GHz 6 dBi Wi-Fi Patch Antenna

with 4 RPSMA Male Connectors

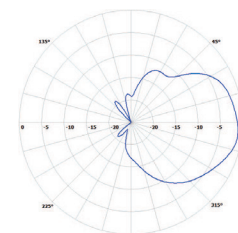
Ventev's TerraWave® 2.4/5 GHz 6 dBi Wi-Fi Patch Antenna is ideal for high density venues such as lecture halls, stadiums, and convention centers that require 2.4/5 GHz frequency operation. It features a four-connector structure and has a low profile design with high gain. The antenna can be pole/mast mounted and includes a universal articulating mount.

Specifications

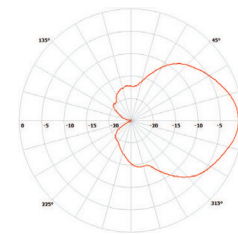
SKU	537653
Manufacturer Part Number	M6060060P23D3620
Operating Frequency Range	2.4/5 GHz
Polarization	Vertical
Horizontal Beamwidth	50° ± 10° / 35° ± 10°
Vertical Beamwidth	50° ± 10° / 35° ± 10°
Gain	6 dBi
VSWR	≤ 2 / ≤ 2.5
Max Input Power	20 W
Nominal Impedance	50 Ohms
Number of Ports	4
Length of Lead	36 in.
RF Connector	RPSMA Plug
Application	Indoor/Outdoor
Dimensions	10.3 x 10.3 x 1.4 in.
Weight	2.31 lbs.
Mounting Options	Mast or Pole



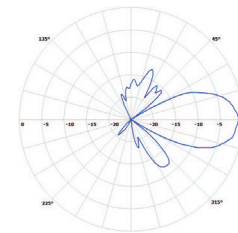
Radiation Patterns



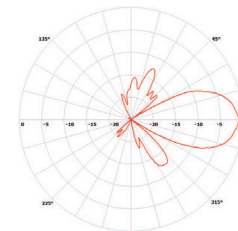
2.4 GHz
E Plane



2.4 GHz
H Plane



5 GHz
E Plane



5 GHz
H Plane

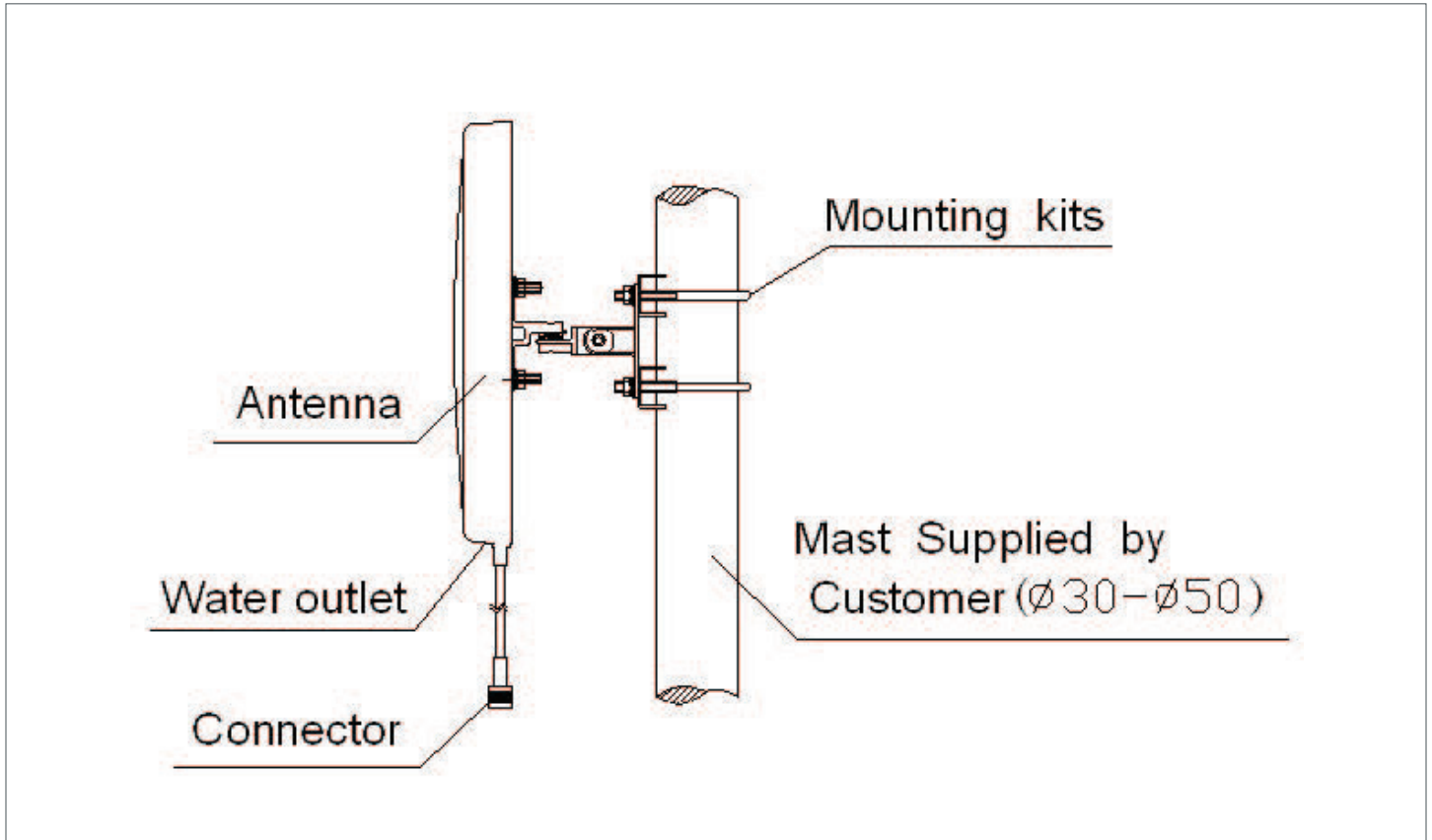


All product specifications are subject to change without notice or obligation.

TerraWave® 2.4/5 GHz 6 dBi Wi-Fi Patch Antenna

with 4 RPSMA Male Connectors

Installation



*NOTE: Note information goes here.



All product specifications are subject to change without notice or obligation.