

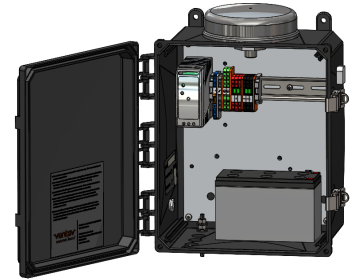
# Outdoor 120V AC / 12V DC UPS Power System

with Integrated Omni Antenna, for IoT Applications

Ventev's Outdoor AC/DC Power System for IoT applications ensures reliable power for LPWAN, Cellular, SCADA and Wi-Fi radios. The compact, lightweight NEMA 4X enclosure system converts 120 VAC site power to 12 VDC to power active equipment and comes with an integrated 3-in-1, 5G ready omni antenna already installed. Enclosure system mounts on poles or walls.

## Specifications

SKU	546445
Manufacturer Part Number	VPE-12-60-100000
Output Power	60 W at 12 VDC
Input Power	90-264 VAC 60 Hz, 1.3 Amp.
Terminal Blocks	AC with knife switch, DC for 12 V and ground
Enclosure Type	NEMA 4X gray polycarbonate, UL listed, opaque hinged lid
Enclosure Ports	One port for AC-input, three ports for RJ45 I/O
Antenna Type (SKU 605238)	3-in-1 5G ready omnidirectional
Vented	No
Operating Temperature	-31° to 140°F
Environment	Outdoor
Dimensions (Including Antenna)	13.6 x 10 x 6 in.
Weight	13 lbs. with batteries
Mounting Style	Wall or Pole
System Protections	DC input fuse protection, short circuit protection (auto-reset), low voltage disconnect included (cutoff voltage 10.5, reconnect voltage 12.5)
Locking Mechanism	Pad lockable latches
Battery Backup System	Built-in capability, wire harness included for 2 batteries (but not installed)



## Features & Benefits

- Converts AC power to DC power.
- Rugged NEMA-rated enclosure protects in harsh weather.
- Lightweight and low profile.
- Locks to secure equipment from tampering and theft.
- Pole or wall mountable.
- **Configured and delivered fully integrated** for fast, trouble-free installation.
- **Cost-effective solution** for ensuring reliable power for uninterrupted connectivity.
- **Convenient, one-stop purchase** – Power System with integrated antenna and option to include UPS battery. Optional components can be purchased through Tescos.

## Applications

- **Outdoor Wi-Fi:** converts 120 VAC to 1-2 PoE ports for outdoor access points.
- **Smart Grid:** powers collector point systems for LTE backhaul radios with enclosure I/O ports for antenna cables.
- **Smart Farming:** provides 12 VDC to power LPWAN Gateway radio systems with accommodations for external 900 MHz and LTE antennas.
- **SCADA Networks:** Protects remote equipment and provides 12 VDC power to SCADA radio with UPS and integrated antennas.

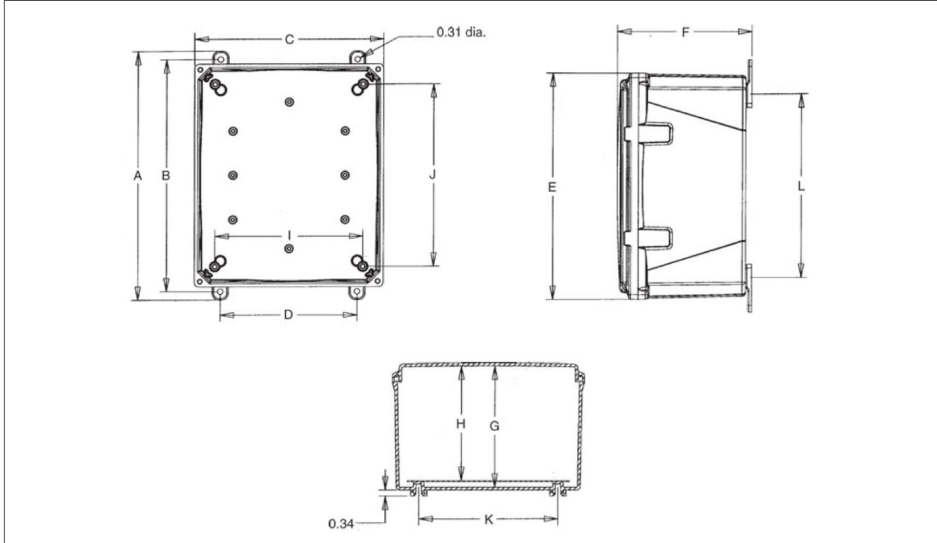


All product specifications are subject to change without notice or obligation.

# Outdoor 120V AC / 12V DC UPS Power System

with Integrated Omni Antenna, for IoT Applications

## Enclosure Dimensions



Enclosure Size	A	B	C	D	E
without antenna: 12 x 10 x 6 in.	14.00 in.	13.13 in.	11.50 in.	7.60 in.	12.50 in.
	F	G	H	I x J	K
with antenna: 13.6 x 10 x 6 in.	7.25 in.	6.75 in.	6.25 in.	8.25 x 10.25 in.	7.60 in.
	L	M	N	O	Panel Size
	9.63 in.	13.69 in.	12.75 in.	8.00 in.	10.75 x 8.88 in.

## Notes

- For AC input requirements greater than 270 VAC, call Ventev.
- For extended battery backup time, call Ventev.
- Site AC power cord not included.

## Additional Accessories

### Replacement Batteries

#### Yuasa 7 Ahr

MFG Part #: NP7-12      SKU #: 532518

### Pole Mount for ≤ 4 in. Poles

MFG Part #: PMK-4-10      SKU #: 330781

### Universal Pole Mount Kit for 10/12 in. Wide Enclosures

MFG Part #: TWPMK-10-12-UNIV      SKU #: 303580

### 1 in. Diameter RJ45

#### Compatible Cable Glands

MFG Part #: 10F362226      SKU #: 576422

### 1 in. Diameter Hole Plugs

MFG Part #: 1/2-NEMA-PLUG      SKU #: 344873

## Configure with Optional Components:

- Cell modems, LPWAN, SCADA, & Wi-Fi radios
- Network switches
- Industrial POE injectors
- Battery and enclosure monitors
- Batteries for UPS capability



All product specifications are subject to change without notice or obligation.