

# TerraWave® 2.4/5 GHz 6 dBi Wi-Fi Omnidirectional Antenna for High Intensity Discharge (HID) Light Globes

with 4 RPTNC Male Connectors

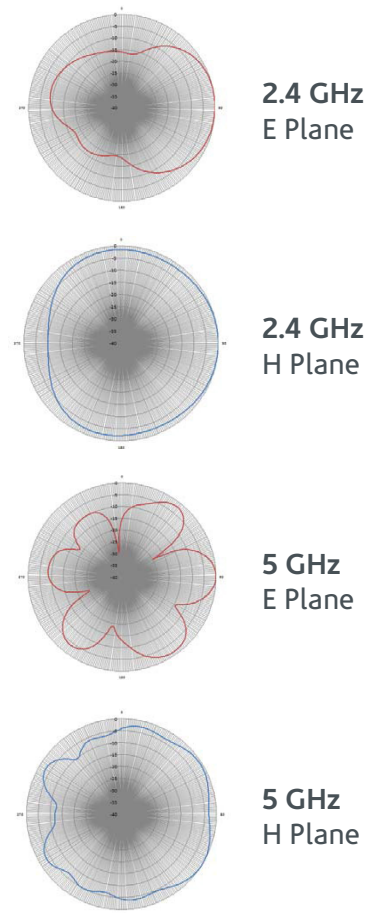
Ventev's TerraWave® 2.4/5 GHz 6 dBi Omnidirectional Wi-Fi Antenna for HID Light Globes transforms outdoor light globes into Wi-Fi hot spots. The antenna is designed to operate with Cisco's outdoor access points. This unique antenna installs inside outdoor lighting globes to provide concealed, high-performance Wi-Fi that blends inconspicuously into the environment. The antenna unit, with integrated mount and radiating elements, delivers assembled and installs around and secures to the light globe's internal conduit.

## Specifications

SKU	562606
Manufacturer Part Number	M606006001D41202L
Operating Frequency Range	2400-2500/4900-5850 MHz
Polarization	Vertical
Horizontal Beamwidth	360°
Vertical Beamwidth	65°/20°
Gain	6 dBi
VSWR	≤ 2.0
Max Input Power	10 W
Nominal Impedance	50 Ohms
Bandwidth	100/950 MHz
Number of Ports	4
Pigtail/Lead	RG-316
Length of Lead	12 in.
RF Connector	RPTNC Plug
Application	Outdoor
Operating Temperature	-40° to 140°F
Dimensions	3.75 x 3.3 x 5.5 in.
Weight	0.55 lb.
Mounting Options	Internal Conduit



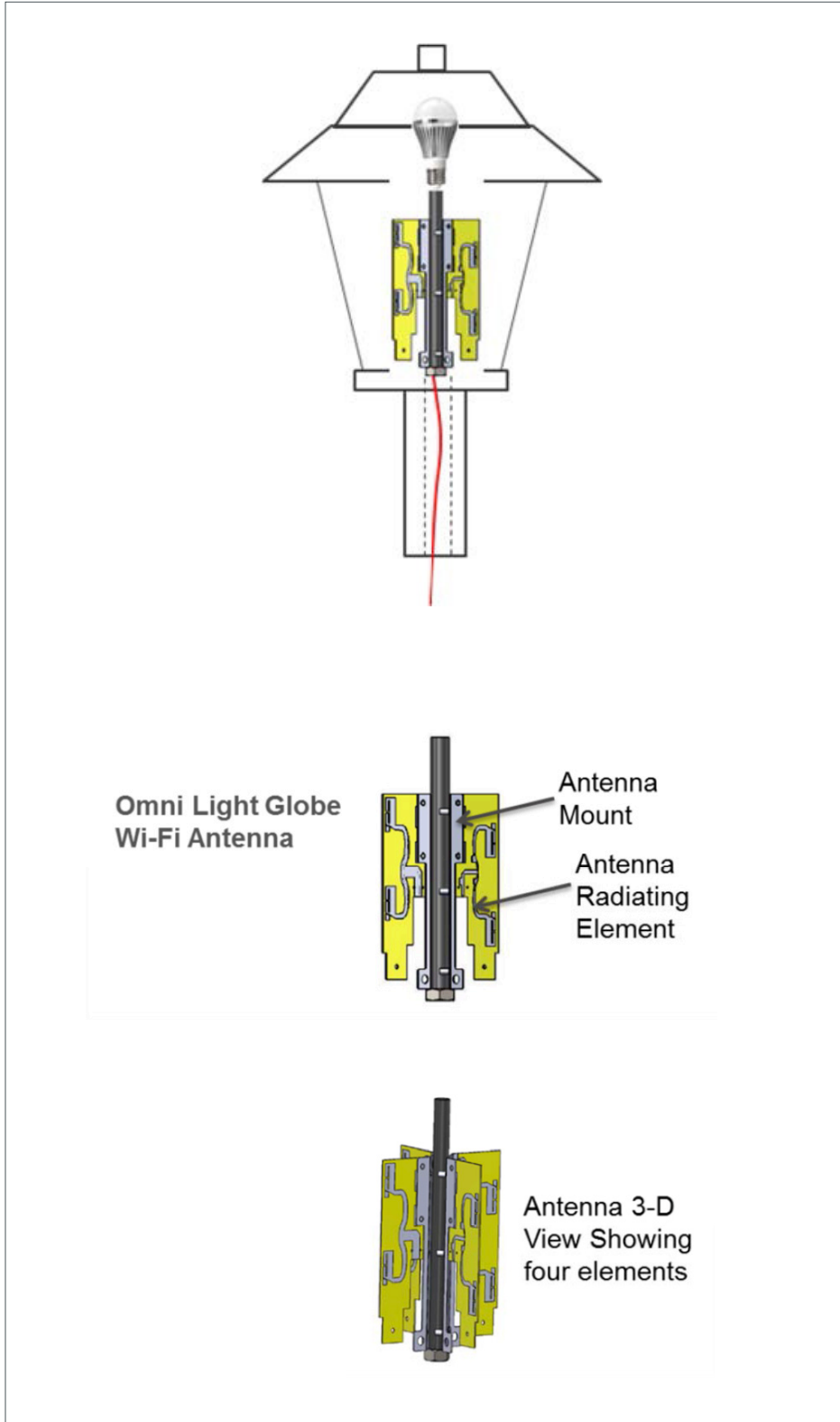
## Radiation Patterns



All product specifications are subject to change without notice or obligation.

# TerraWave® 2.4/5 GHz 6 dBi Wi-Fi Omnidirectional Antenna for High Intensity Discharge (HID) Light Globes with 4 RPTNC Male Connectors

## Antenna & Mount Information



## Installation Instructions

- Place the antenna assembly above the conduit and slide the wire in the gap between the standoff and plate.
- Slide the assembly down so the conduit is in the center of the assembly.
- Tighten set screw.



All product specifications are  
subject to change without notice  
or obligation.