

# TerraWave® 2.4/5 GHz 2/2.5 dBi Wi-Fi Mini Ceiling Omni Antenna

with 4 Right Angle RPTNC Connectors

ventev®

Connect, Protect, and Enable™

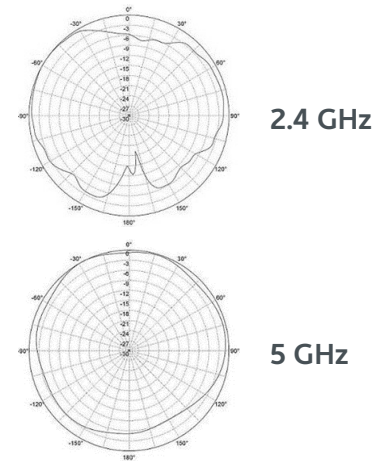
Ventev's TerraWave® 2.4/5 GHz 2/2.5 dBi Mini Ceiling mount omnidirectional Wi-Fi antenna is designed to be operated with Cisco's latest 802.11ac Waves I & II WLAN access points. The antenna's appealing design and small size maintains building decor while providing outstanding Wi-Fi connectivity. The 4 dual-band leads with right angle connectors deliver exceptional performance while simplifying connection to the access point. Features a threaded plastic bushing and nut for simple ceiling tile mounting.

## Specifications

SKU	577463
Manufacturer Part Number	M60202501D43602RA
Operating Frequency Range	2.4/5 GHz
Polarization	Vertical
Horizontal Beamwidth	360°
Vertical Beamwidth	90°/160°
Gain	2/2.5 dBi
VSWR	$\leq 2.0 / \leq 2.5$
Max Input Power	2 W
Nominal Impedance	50 Ohms
Number of Ports	4
Length of Lead	36 in.
RF Connector	RA RPTNC Male
Operating Temperature	-40° to 140°F
Dimensions	5.4 x 2.5 x 1.2 in.
Weight	1.02 lbs.



## Radiation Patterns

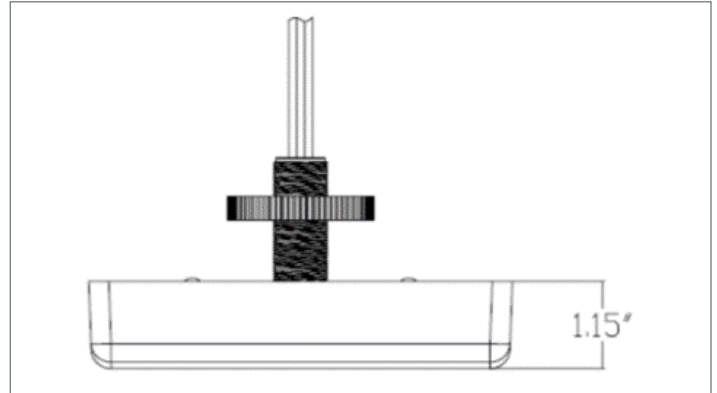
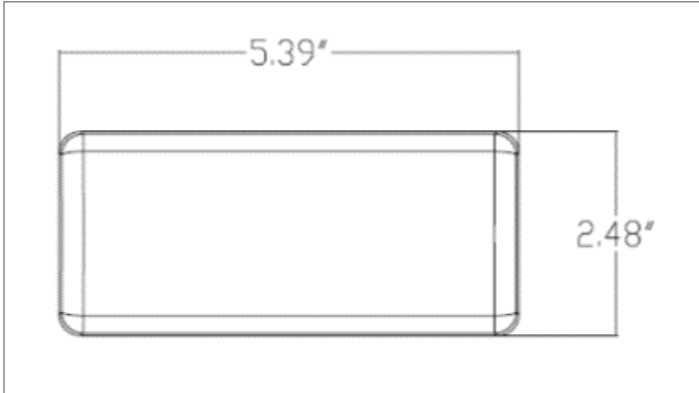


All product specifications are subject to change without notice or obligation.

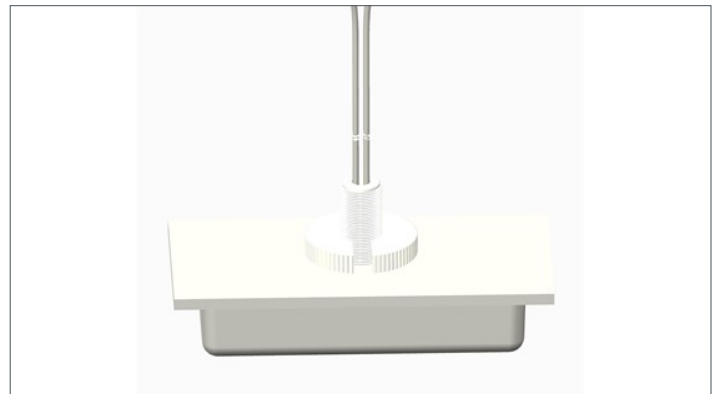
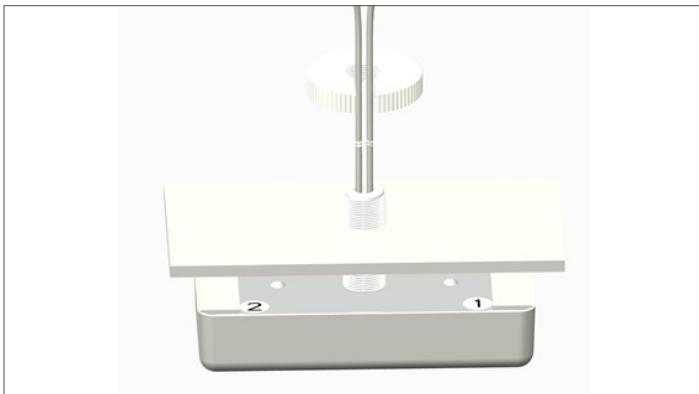
# TerraWave® 2.4/5 GHz 2/2.5 dBi Wi-Fi Mini Ceiling Omni Antenna

with 4 Right Angle RPTNC Connectors

## Dimensions



## Mounting Options



All product specifications are subject to change without notice or obligation.