

2.4/5 GHz 2/2.5 dBi Wi-Fi Mini Ceiling Omni Antenna

with 4 Right Angle RPTNC Connectors

ventev®

Connect, Protect, and Enable™

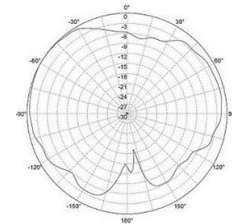
Ventev's 2.4/5 GHz 2/2.5 dBi Mini Ceiling mount omnidirectional Wi-Fi antenna is designed to be operated with Cisco's latest 802.11ac Waves I & II WLAN access points. The antenna's appealing design and small size maintains building decor while providing outstanding Wi-Fi connectivity. The 4 dual-band leads with right angle connectors deliver exceptional performance while simplifying connection to the access point. Features a threaded plastic bushing and nut for simple ceiling tile mounting.

Specifications

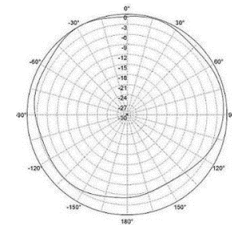
SKU	577463
Manufacturer Part Number	M60202501D43602RA
Operating Frequency Range	2.4/5 GHz
Gain	2/2.5 dBi
Polarization	Vertical
Vertical Beamwidth	90°/160°
Horizontal Beamwidth	360°
VSWR	≤ 2.0 / ≤ 2.5
Nominal Impedance	50 Ohms
Max Input Power	2 W
Number of Ports	4
Length of Lead	36 in.
RF Connector	RA RPTNC Male
Operating Temperature	-40° to +140°F
Dimensions	5.4 x 2.5 x 1.2 in.
Weight	1.02 lbs.



Radiation Patterns



2.4 GHz



5 GHz

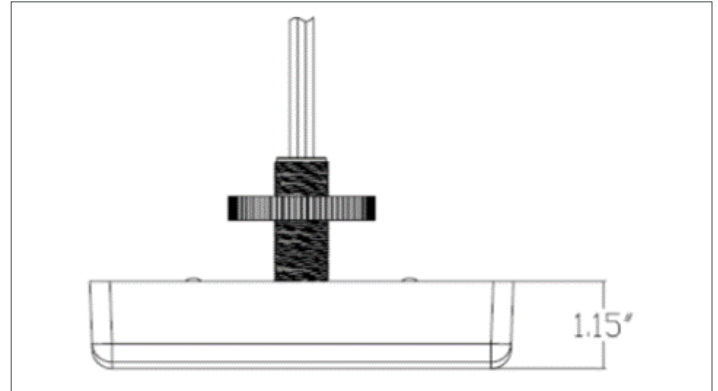
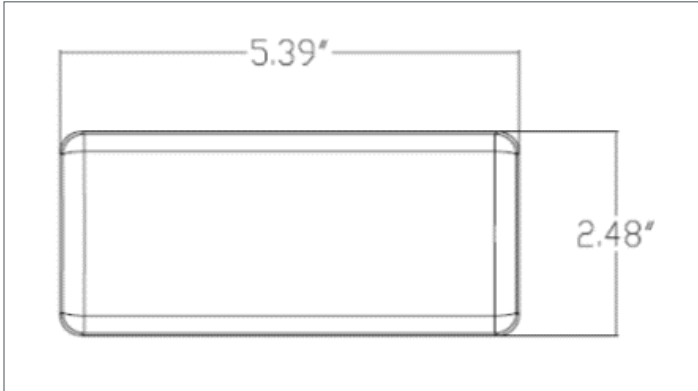


All product specifications are subject to change without notice or obligation.

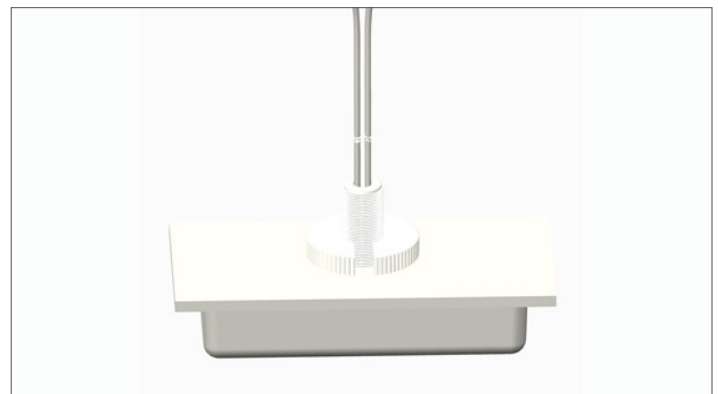
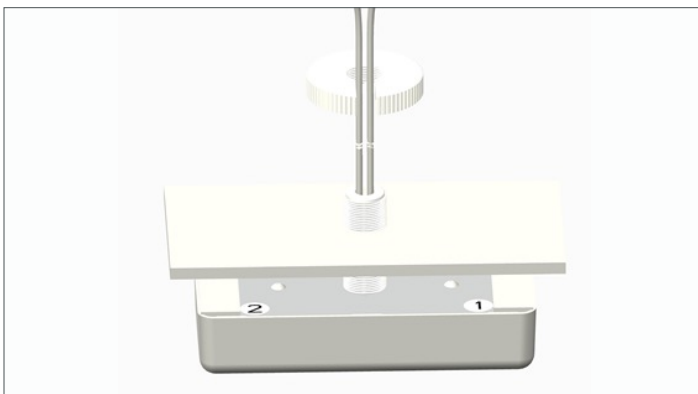
2.4/5 GHz 2/2.5 dBi Wi-Fi Mini Ceiling Omni Antenna

with 4 Right Angle RPTNC Connectors

Dimensions



Mounting Options



All product specifications are subject to change without notice or obligation.